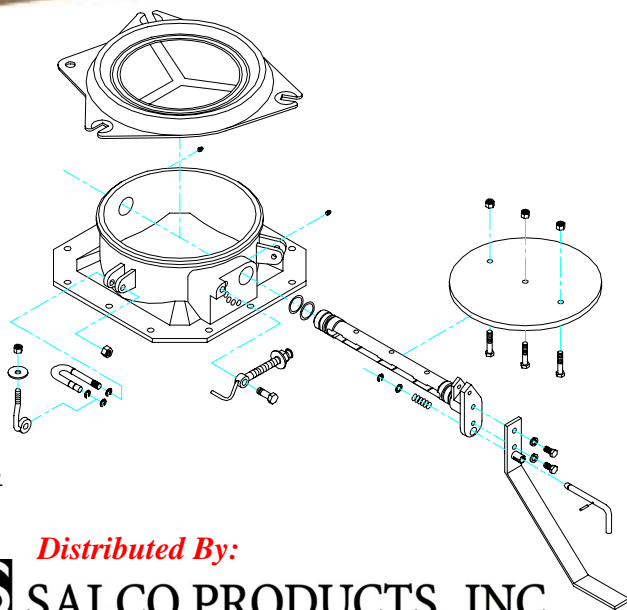
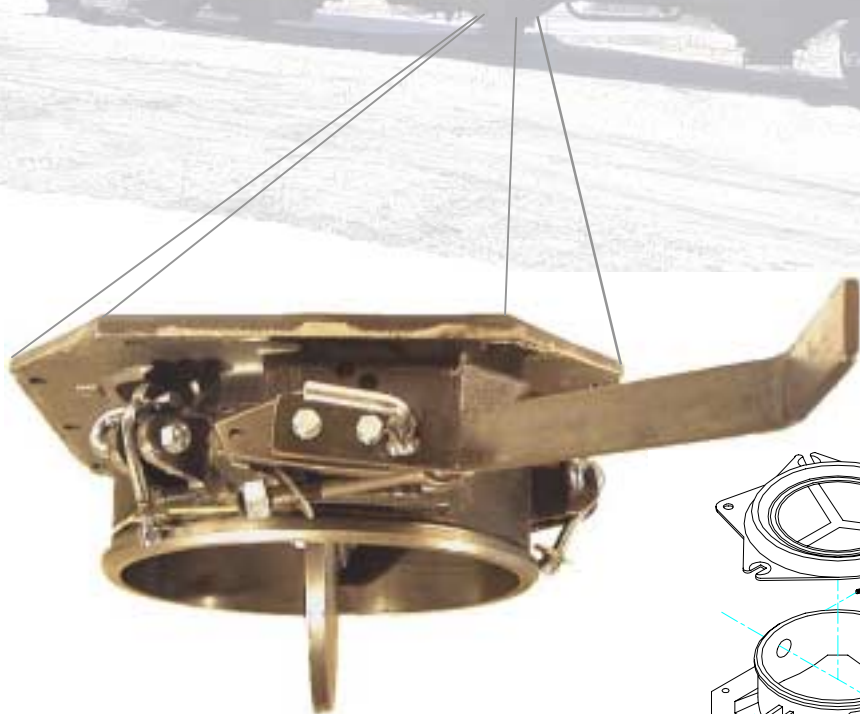


Setting the Industrial Standard in Hopper Valves.



R&M ENERGY SYSTEMS HOPPER VALVES

FEATURE

VALVES ARE AVAILABLE IN DUCTILE IRON OR 316 STAINLESS STEEL.

CAST CONSTRUCTION RATHER THAN FABRICATED.

LEVER OPERATED BUTTERFLY VALVE FOR EASY OPEN AND CLOSE.

ADJUSTABLE LEVER LOCKS IN POSITION.

CAM ACTION LOCKING MECHANISM FOR QUICK CONNECT AND DISCONNECT.

DUST COVER WHILE IN TRANSPORT

Distributed By:

SALCO PRODUCTS, INC.

www.salcoproducts.com

Texas Offices
T: 281-351-0274
F: 281-351-1514

Illinois Offices
T: 630-783-2570
F: 630-783-2590