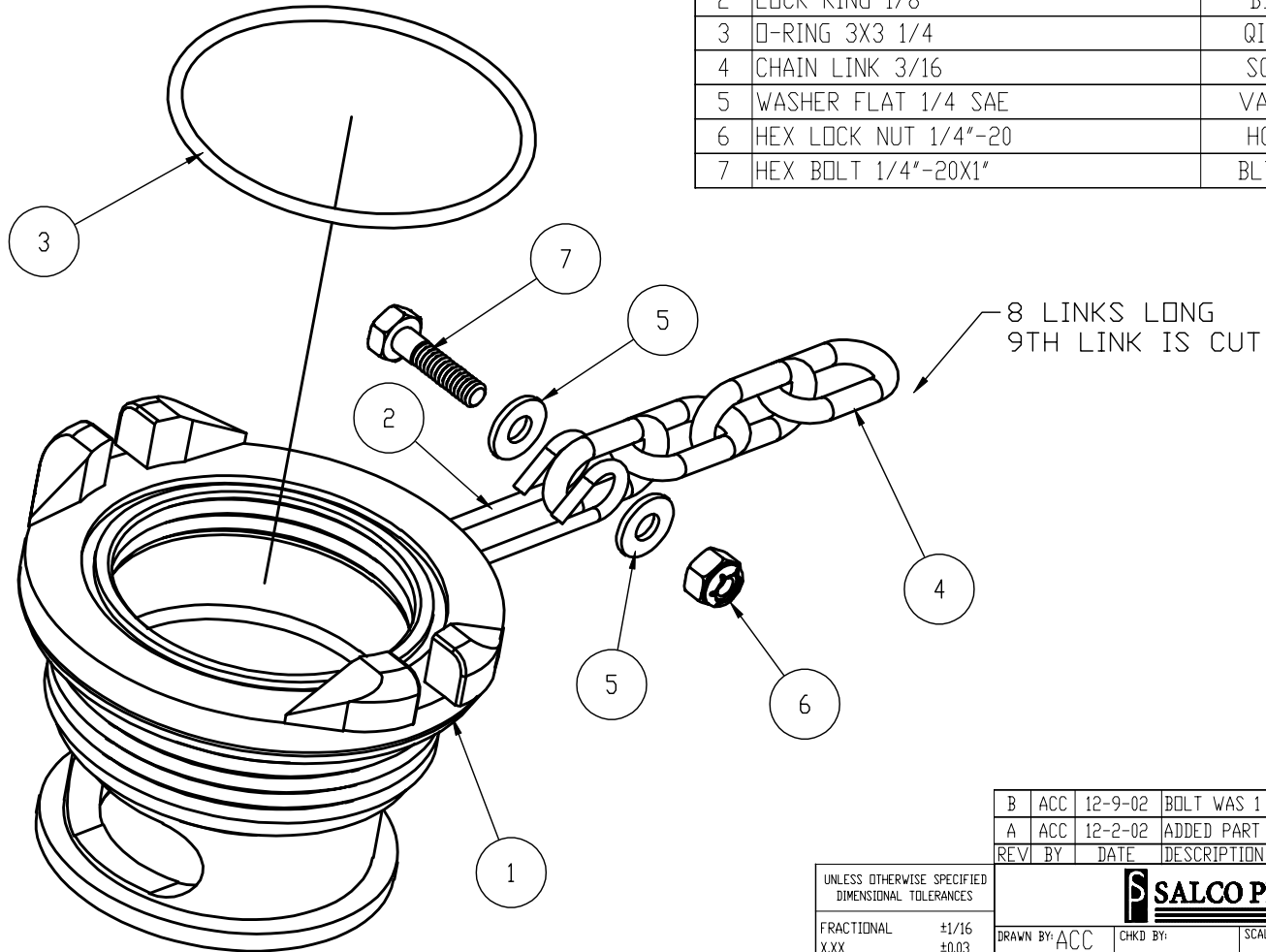


NO.	PART NAME	PART #	REQ'D	MATERIAL
1	RETAINER DISC QI	QI261S6RDS	1	316 SS
2	LOCK RING 1/8	B17205	1	18-8 SS
3	O-RING 3X3 1/4	QI261OR	1	VITON
4	CHAIN LINK 3/16	SC28SS	9	18-8 SS
5	WASHER FLAT 1/4 SAE	VAISW30	2	18-8 SS
6	HEX LOCK NUT 1/4"-20	HCN20S	1	18-8 SS
7	HEX BOLT 1/4"-20X1"	BLT14X1S	1	18-8 SS



NOTE:
USE TWO DABS OF GLUE TO HOLD
O-RING INTO GROOVE

B	ACC	12-9-02	BOLT WAS 1 1/2" LONG
A	ACC	12-2-02	ADDED PART INTO THE SYSTEM
REV	BY	DATE	DESCRIPTION

UNLESS OTHERWISE SPECIFIED
DIMENSIONAL TOLERANCES

FRACTIONAL	±1/16
X.XX	±0.03
X.XXX	±0.015
ANGULAR	±1°

THIS PRINT, PROPERTY OF SALCO PRODUCTS INC.,
CONTAINS PROPRIETARY INFORMATION AND MUST
NOT BE COPIED, REPRODUCED, OR USED
DETREMENTALLY TO OUR INTEREST.

THIRD ANGLE PROJECTION

SALCO PRODUCTS, INC.



DRAWN BY: ACC CHKD BY: SCALE: 1:1 APPROVAL DATE:

MATERIAL: SEE BOM

PART NAME: RETAINER DISC ASSY QI

PROJECT #: 010421 PROTOTYPE AND DATE: ACC 10-8-02 APPROVED FOR PRODUCTION:

DRAWING #: B17333 PART #: QI261S6RDSA