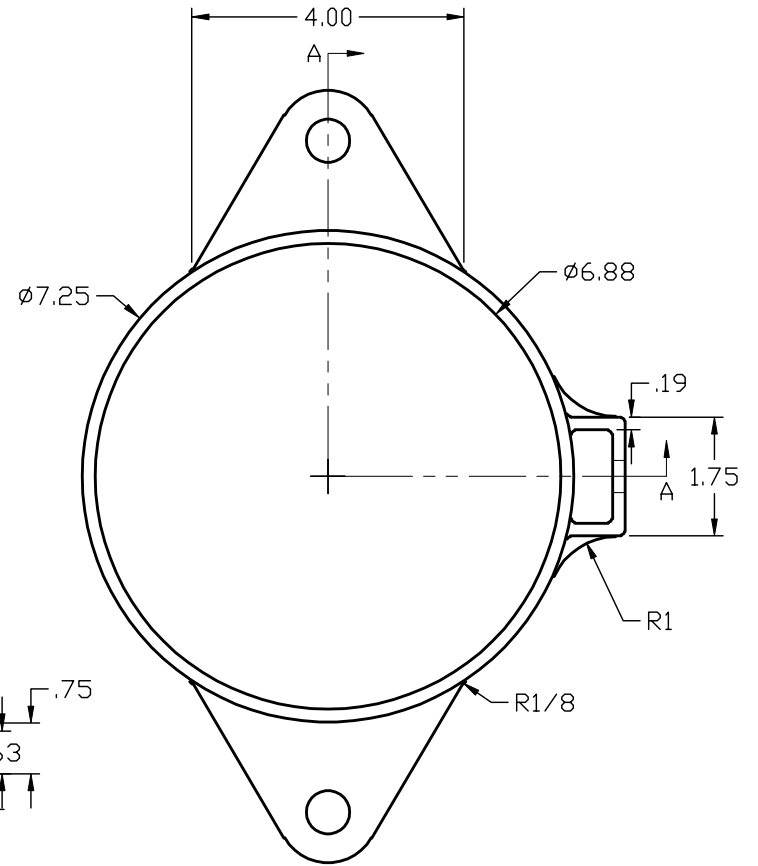
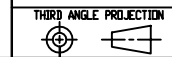


SECTION A-A



UNLESS OTHERWISE SPECIFIED DIMENSIONAL TOLERANCES	
FRACTIONAL	\pm 1/16
X.XXX	\pm 0.03
X.XXX	\pm 0.015
ANGULAR	\pm 1°

THIS PRINT, PROPERTY OF SALCO PRODUCTS INC.,
 CONTAINS PROPRIETARY INFORMATION AND MUST
 NOT BE COPIED, REPRODUCED, OR USED
 IN WHOLE OR IN PART WITHOUT THE WRITTEN
 PERMISSION OF SALCO PRODUCTS INC.



REV	BY	DATE	DESCRIPTION	
SALCO PRODUCTS, INC.				2D
DRAWN BY: BRW		CHKD BY:	SCALE: 3:4	APPROVAL DATE:
MATERIAL: GRAY ABS		PART NAME: OUTLET CAP		
PROJECT #:		PROTOTYPE AND DATE:	APPROVED FOR PRODUCTION	
DRAWING #: C5752		PART #: RP103		