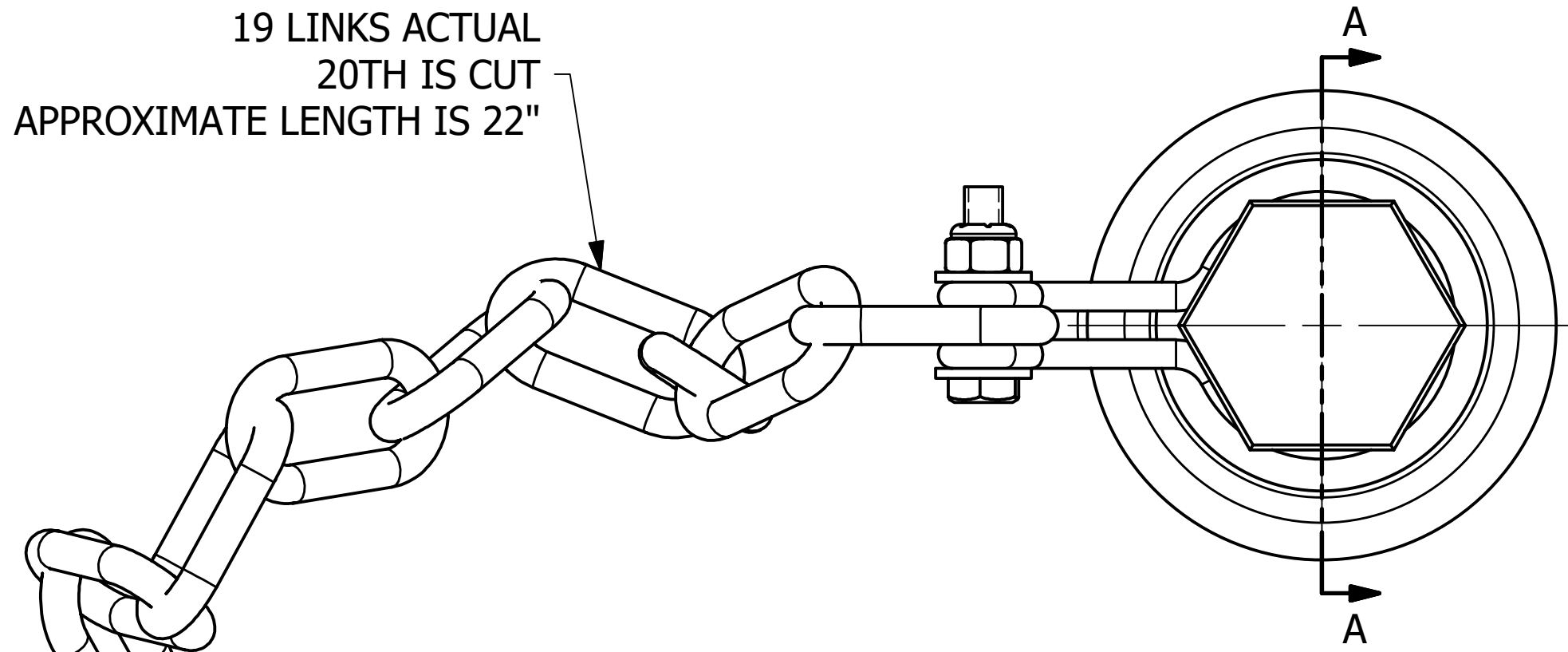
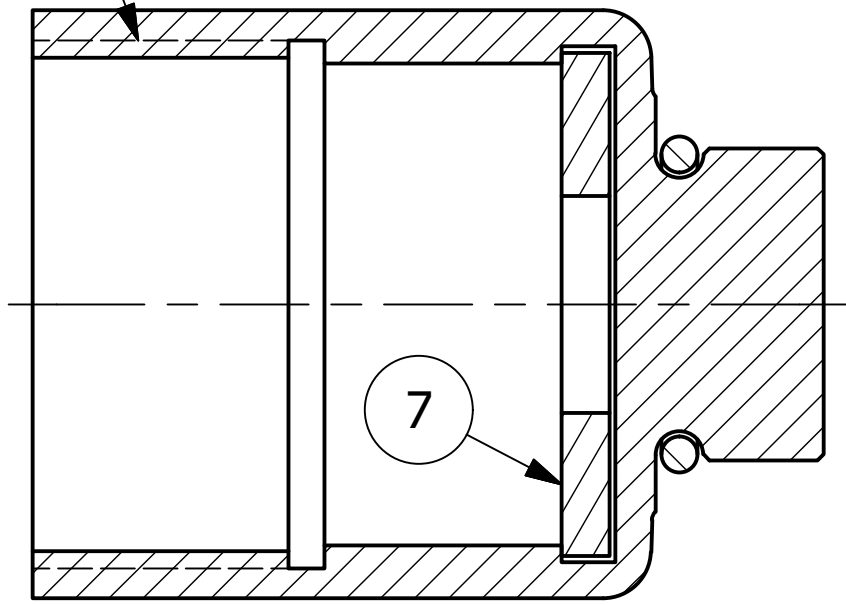


NO.	PART NAME	PART#	REQ'D	MATERIAL
1	HEX LOCK NUT 1/4"-20	HCN20S	1	18-8 SS
2	CHAIN LINK 1/4"	SC25S	19	18-8 SS
3	S-HOOK 1/4"X2 1/2"	SC25SHS	1	18-8 SS
4	LOCK RING 2"	SS2TCLR	1	304 SS
5	QUICK CONNECT CAP 2" THREAD ON	TE20SDC	1	316 SS
6	HEX BOLT 1/4" - 20 X 1 1/4"	TE2CLRS	1	CS Z/P
7	DUST CAP GASKET 2"	TE2DCG07	1	VITON B
8	FLAT WASHER 1/4" SAE	VAISW30	2	18-8 SS

19 LINKS ACTUAL
20TH IS CUT
APPROXIMATE LENGTH IS 22"

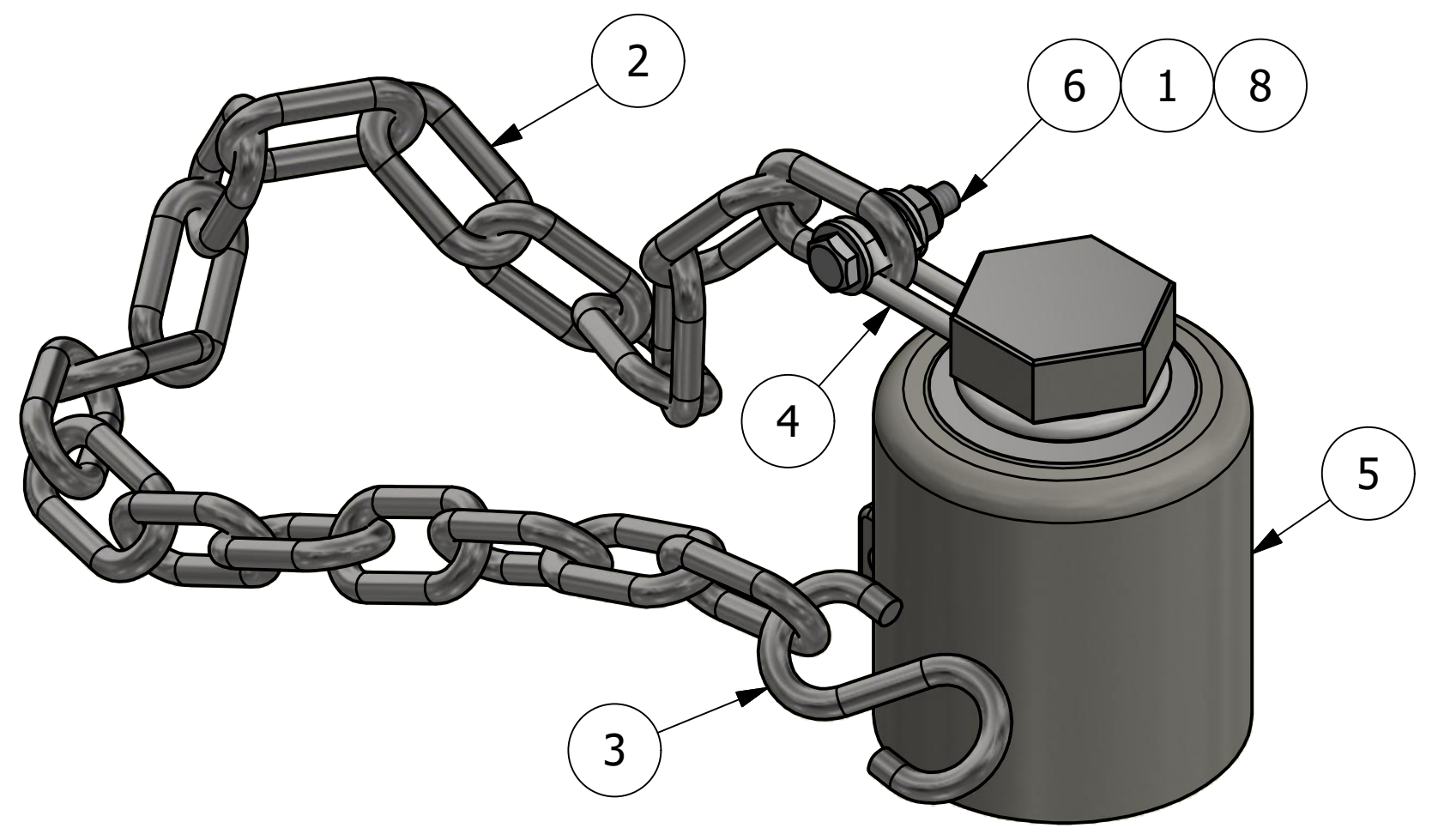


2 3/4-6 UN - 2B



SECTION A-A

SHIP S-HOOK LOOSE



REV	BY	DATE	DESCRIPTION
B	CHL	12/3/20	REPLACED TE2DDCG7 W/TE2DCG07, UPDATED VIEWS & TITLEBLOCK
A	GS	5/31/12	ADDED DRAWING TO NETWORK.

UNLESS OTHERWISE SPECIFIED DIMENSIONAL TOLERANCES FRACTIONAL: ±1/16 X.XX: ±.03 X.XXX: ±.015 ANGLE: ±1° DEBURR ALL SHARP EDGES. ALL MACHINED SURFACES TO HAVE A 125 RMS FINISH UNLESS NOTED OTHERWISE	DRAWN BY: GS CHECKED BY: CHL PROTOTYPE DATE: 5/7/2012 APPROVED FOR PRODUCTION BY: CHL PRODUCTION DATE: 5/31/2012 SIZE: C DRAWING #: 33143
---	---

SALCO PRODUCTS, INC.

PART NAME: **TOP FITTING CAP 2" THREADED**

MATERIAL: **SEE BOM**

PROJECT #: **120505** SHEET #: **1 OF 1** SCALE: **1:1**

PART #: **TE20SDDC07A**