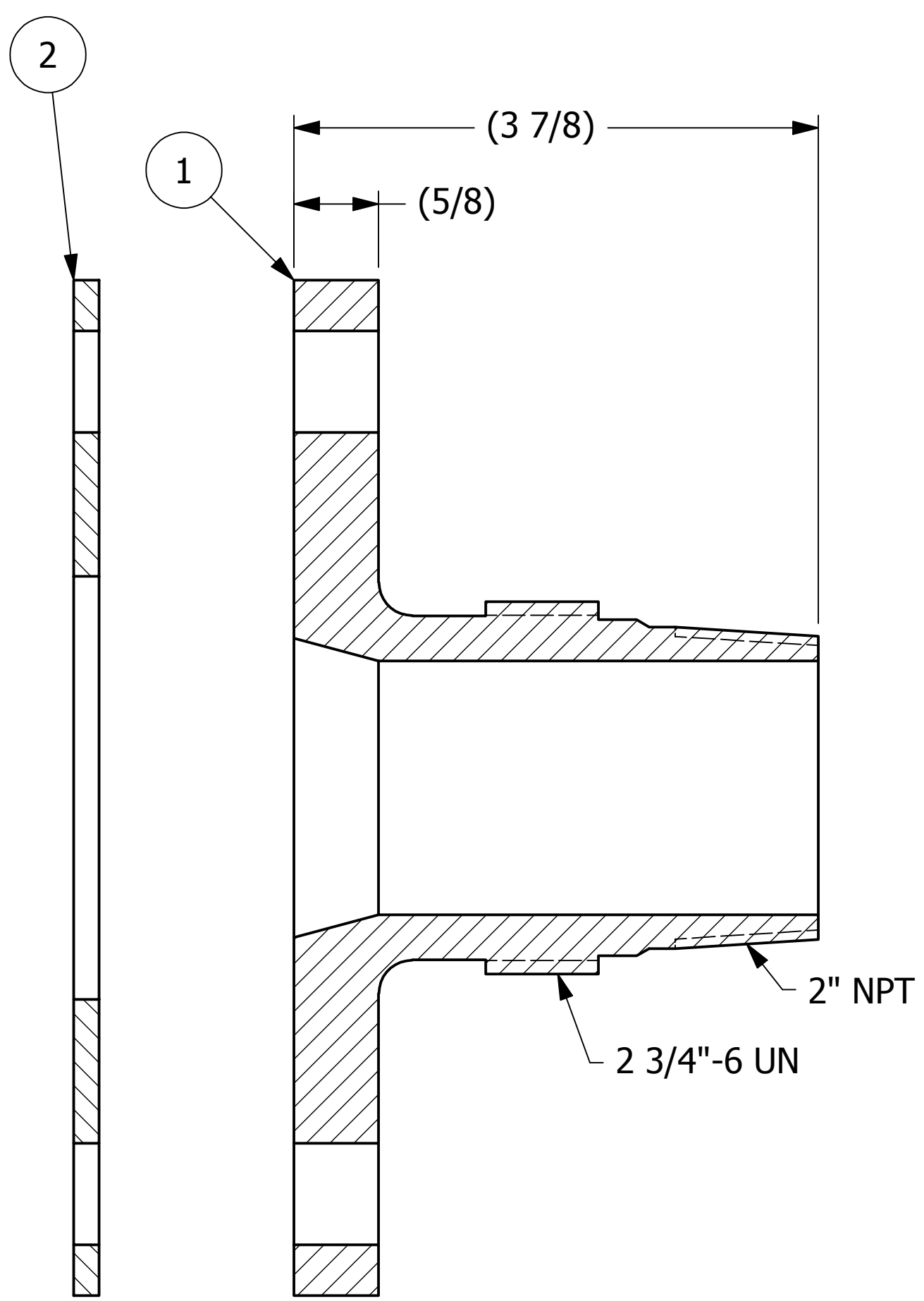
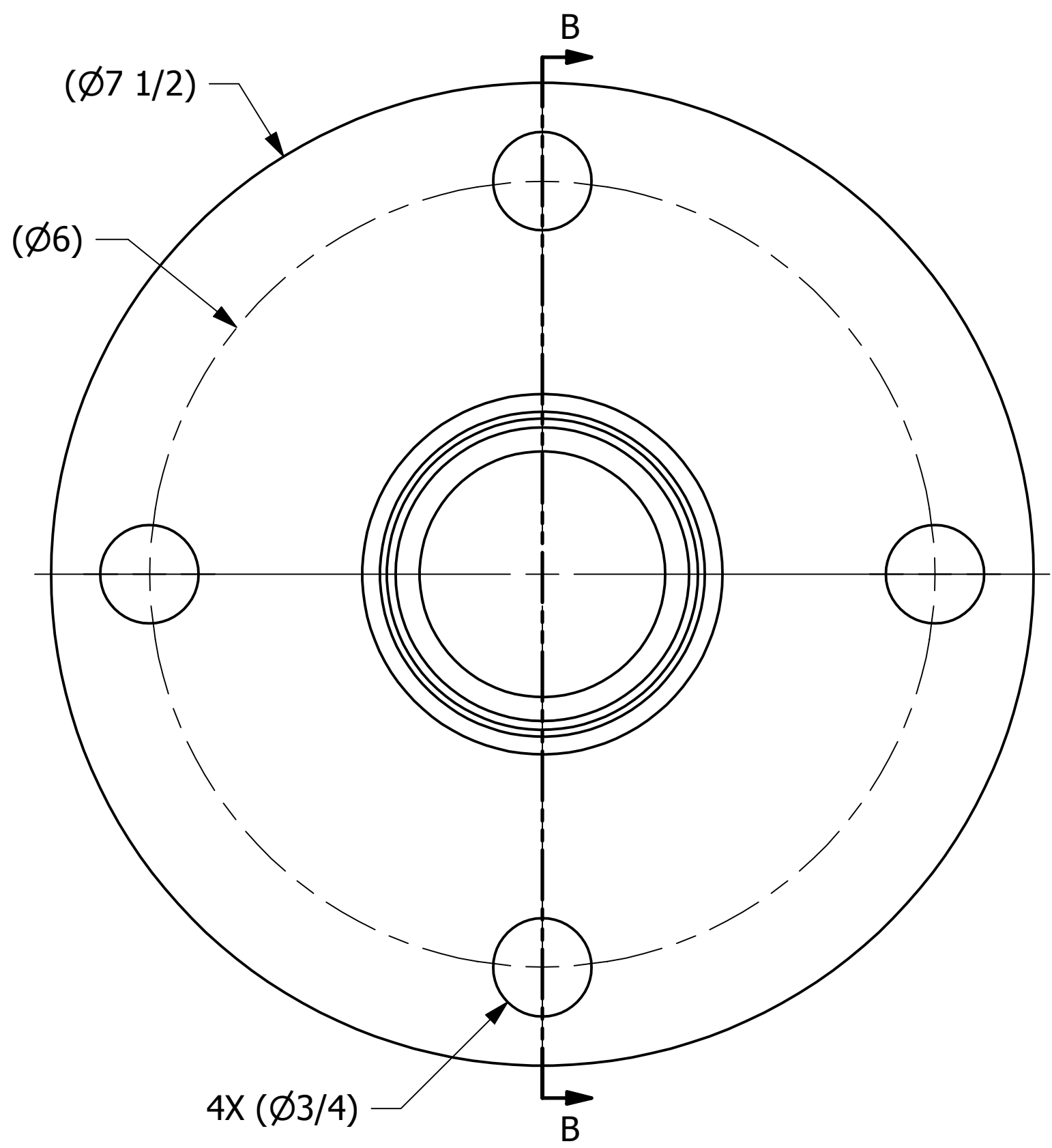


NO.	PART NAME	PART #	REQ'D	MATERIAL
1	QUICK CONNECT 2" FLANGED	TE2SFAS	1	316L SS
2	FLANGE GASKET 2"	TE2FGAS7	1	BLACK VITON B

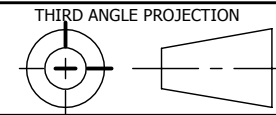


SECTION B-B



4X (Ø3/4)

UNLESS OTHERWISE SPECIFIED  
 DIMENSIONAL TOLERANCES  
 FRACTIONAL: ±1/16  
 X.XX: ±.03  
 X.XXX: ±.015  
 ANGLE: ±1°  
 DEBURR ALL SHARP EDGES.  
 ALL MACHINED SURFACES TO  
 HAVE A 125 RMS FINISH UNLESS  
 NOTED OTHERWISE.



DRAWN BY:	GS
CHECKED BY:	CHL
PROTOTYPE BY:	GS
PROTOTYPE DATE:	5/7/2012
APPROVED FOR PRODUCTION BY:	CHL
PRODUCTION DATE:	5/31/2012

A	GS	5-31-12	DRAWING ADDED TO NETWORK.
REV	BY	DATE	DESCRIPTION

**SALCO PRODUCTS, INC.**

PART NAME: <b>TOP FITTING FLANGE 2"</b>		
MATERIAL: <b>SEE BOM</b>		
PROJECT #:	SHEET #:	SCALE:
<b>120505</b>	<b>1 OF 1</b>	<b>1:1</b>
DRAWING #:	PART #:	
<b>C33156</b>	<b>TE2SFAS07</b>	