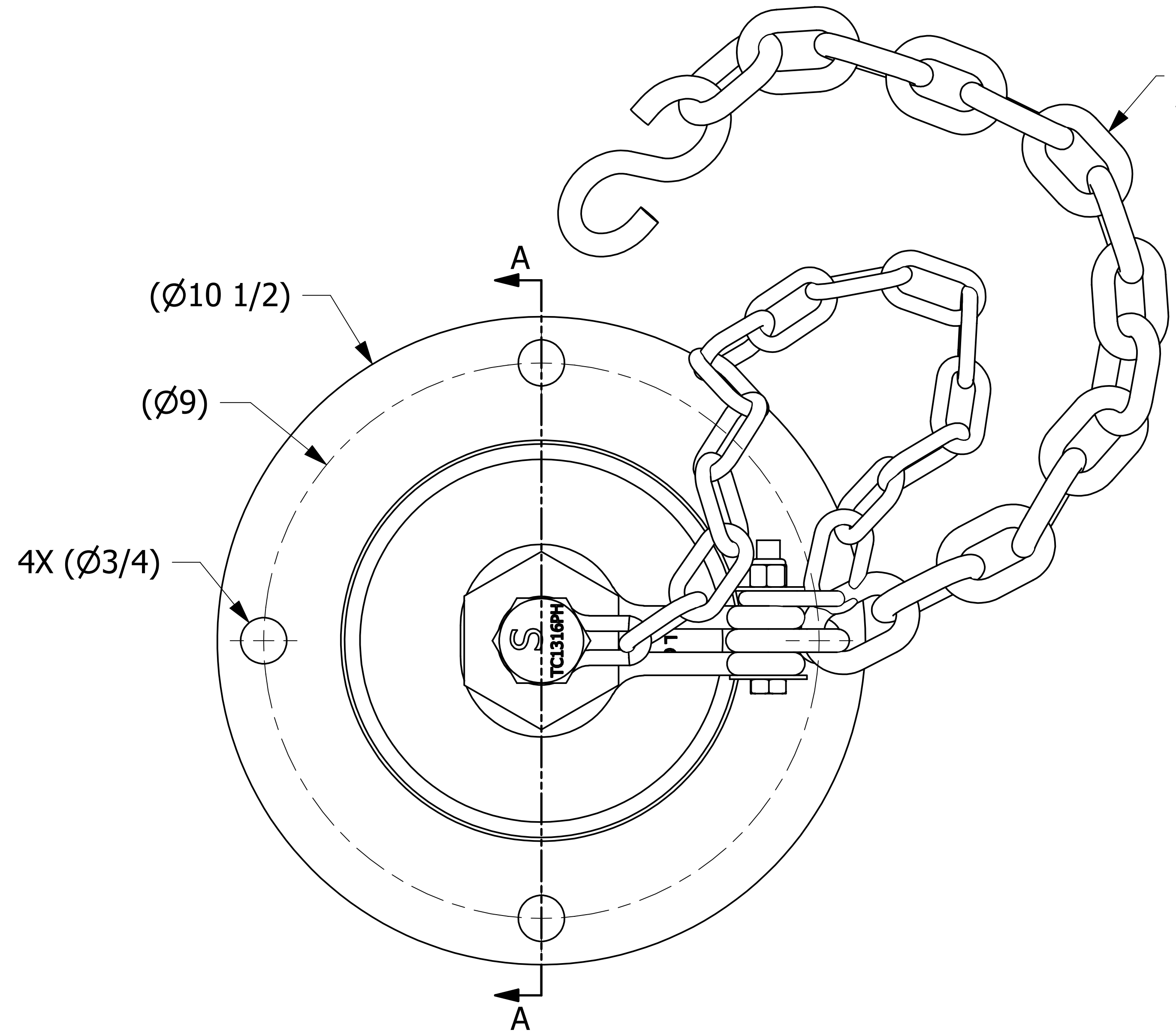
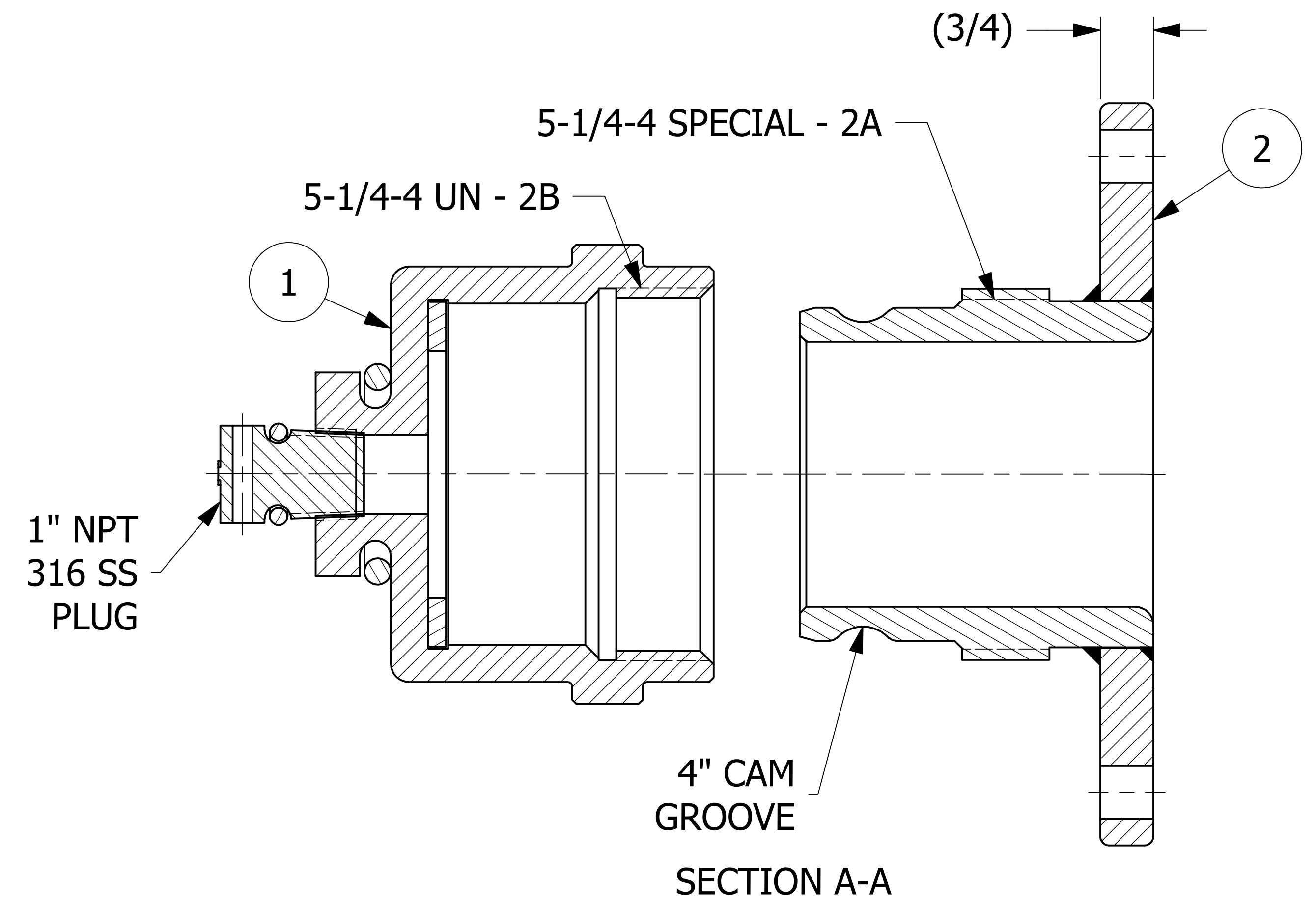


| NO. | PART NAME | PART# | REQ'D | MATERIAL |
|-----|----------------------------------|--------------|-------|----------|
| 1 | QUICK CONNECT CAP 4" THREADED | TE4S416DC53A | 1 | 416 SS |
| 2 | QUICK CONNECT ADAPTER 4" FLANGED | TE4SF | 1 | 316 SS |



15 LINKS OF 3/8" 18-8 SS CHAIN
APPROXIMATE LENGTH IS 21"



- NOTES:
1. AAR APPROVAL # E-149523.
 2. GASKET MATERIAL: WHITE GYLON® 3545.
 3. FITS 4" JAMESBURY BALL VALVE (9.00" B.C.).
 4. APPROXIMATE HEIGHT = 8".
 5. THIS ASSEMBLY IS AAR AND DOT APPROVED.
 6. QUICK CONNECT MEETS A-A-59326D.
 7. 5 1/4-4 UN THREADS CONFORM TO FIGURE E18 OF THE AAR TANK CAR MANUAL.

| | | | |
|-----|-----|----------|----------------------------------------------------------------|
| B | RJP | 3-14-18 | E-149523 WAS E-049013; UPDATED TE4S416DC53A TO LIPPED GEOMETRY |
| A | KHK | 10-25-13 | RELEASED FOR PRODUCTION |
| REV | BY | DATE | DESCRIPTION |

| | | |
|---------------------------------------------------------------------------------------------------------|-----------------------------|------------|
| UNLESS OTHERWISE SPECIFIED DIMENSIONAL TOLERANCES | DRAWN BY: | WEB |
| FRACTIONAL: ±1/16 | CHECKED BY: | CHL |
| X.XX: ±.03 | PROTOTYPE BY: | WEB |
| X.XXX: ±.015 | PROTOTYPE DATE: | 10/24/2013 |
| ANGULAR: ±1° | APPROVED FOR PRODUCTION BY: | WRB |
| DEBURR ALL SHARP EDGES. ALL MACHINED SURFACES TO HAVE A 125 RMS FINISH UNLESS NOTED OTHERWISE. | PRODUCTION DATE: | 10/25/2013 |
| THIRD ANGLE PROJECTION | | |

SALCO PRODUCTS, INC.

PART NAME: **UNLOADING ADAPTER 4" FLANGED**

MATERIAL: **SEE BOM**

PROJECT #: **130912FR** SHEET #: **1 OF 1** SCALE: **1:1**

DRAWING #: **D37588** PART #: **TE4S416SF053A**

THIS PRINT, PROPERTY OF SALCO PRODUCTS INC. CONTAINS PROPRIETARY INFORMATION AND MUST NOT BE COPIED, REPRODUCED, OR USED DETRIMENTALLY TO OUR INTEREST.