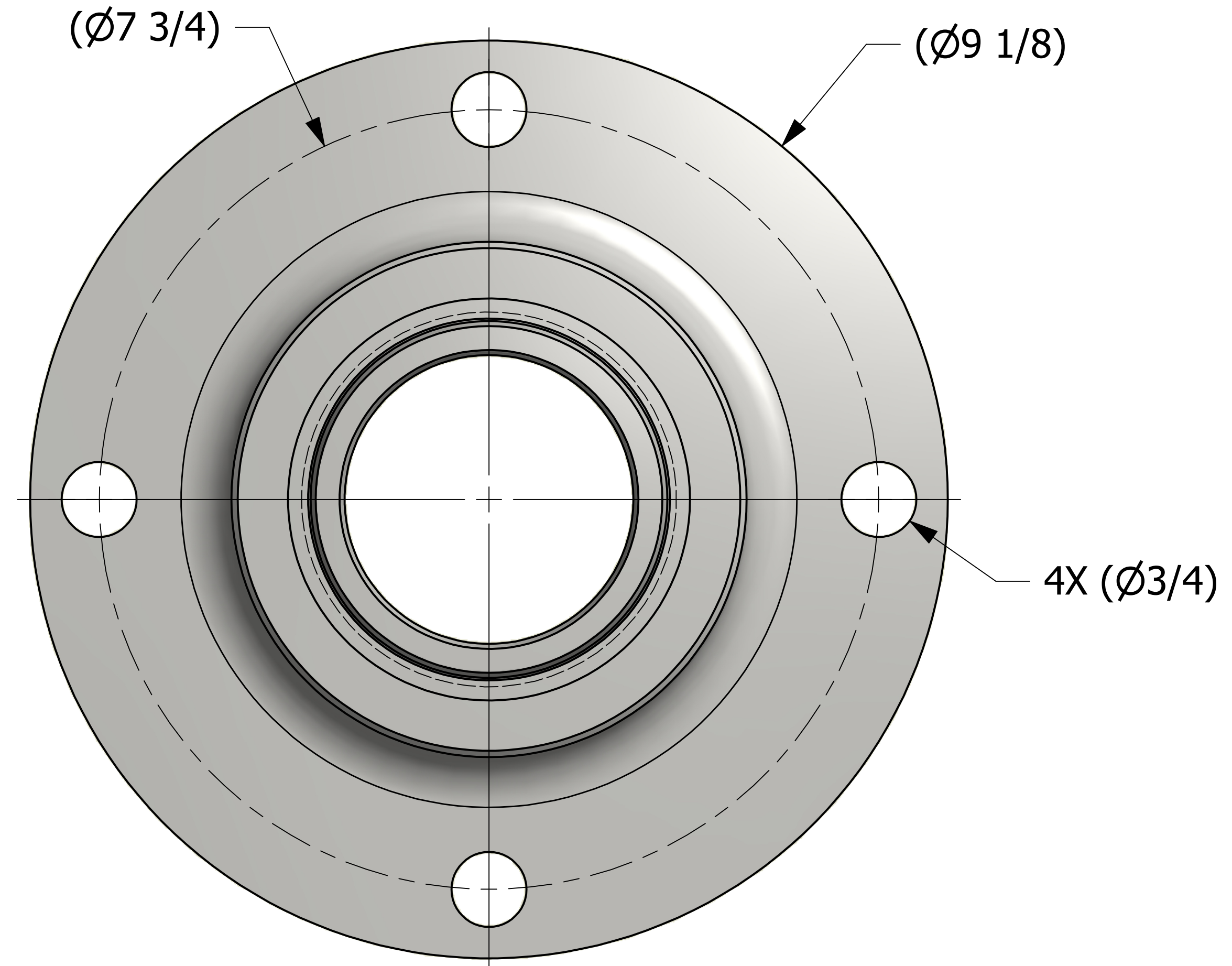
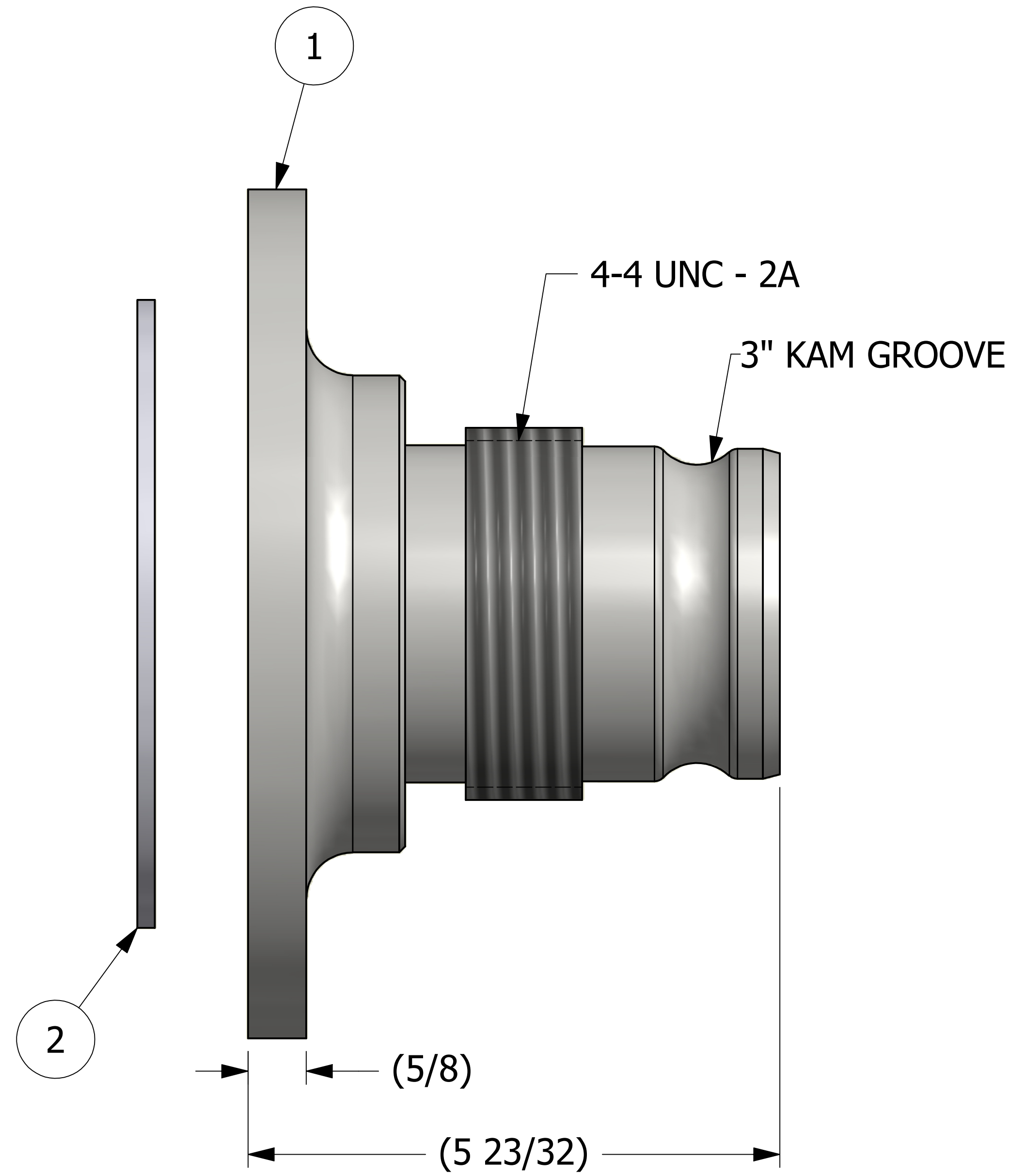


NO.	PART NAME	PART#	REQ'D	MATERIAL
1	QUICK CONNECT ADAPTER 3"X4" FLANGED	TE4X3SFUT	1	316 SS
2	GASKET 3/16" X 4" X 6 3/4"	FG467502	1	WHITE FDA NITRILE



- NOTES:
1. FITS UNION TANK 4" BALL VALVE (7 3/4" B.C.)
 2. THIS ASSEMBLY IS AAR AND DOT APPROVED.
 3. AAR APPROVAL # E-149523.
 4. QUICK DISCONNECT MEETS A-A-59326D SPECS.

B	WEB	7-27-15	ADDED NOTES, UPDATED TITLEBLOCK
A	CHL	9-2-09	NEW PART ADDED TO SYSTEM
REV	BY	DATE	DESCRIPTION

<small>UNLESS OTHERWISE SPECIFIED DIMENSIONAL TOLERANCES</small> FRACTIONAL: ±1/16 X.XX: ±.03 X.XXX: ±.015 ANGULAR: ±1° DEBURR ALL SHARP EDGES. ALL MACHINED SURFACES TO HAVE A 125 RMS FINISH UNLESS NOTED OTHERWISE. <small>THIRD ANGLE PROJECTION</small>	DRAWN BY:	BRG
	CHECKED BY:	CHL
	PROTOTYPE BY:	BRG
	PROTOTYPE DATE:	7/31/2008
	APPROVED FOR PRODUCTION BY:	CHL
	PRODUCTION DATE:	9/2/2009

SALCO PRODUCTS, INC.

QUICK CONNECT ADAPTER 3" FLANGED

MATERIAL: **SEE BOM**

PROJECT #: **WAG0598** SHEET #: **1 OF 1** SCALE: **1:1**

DRAWING #: **D25703** PART #: **TE4X3SFUT2**