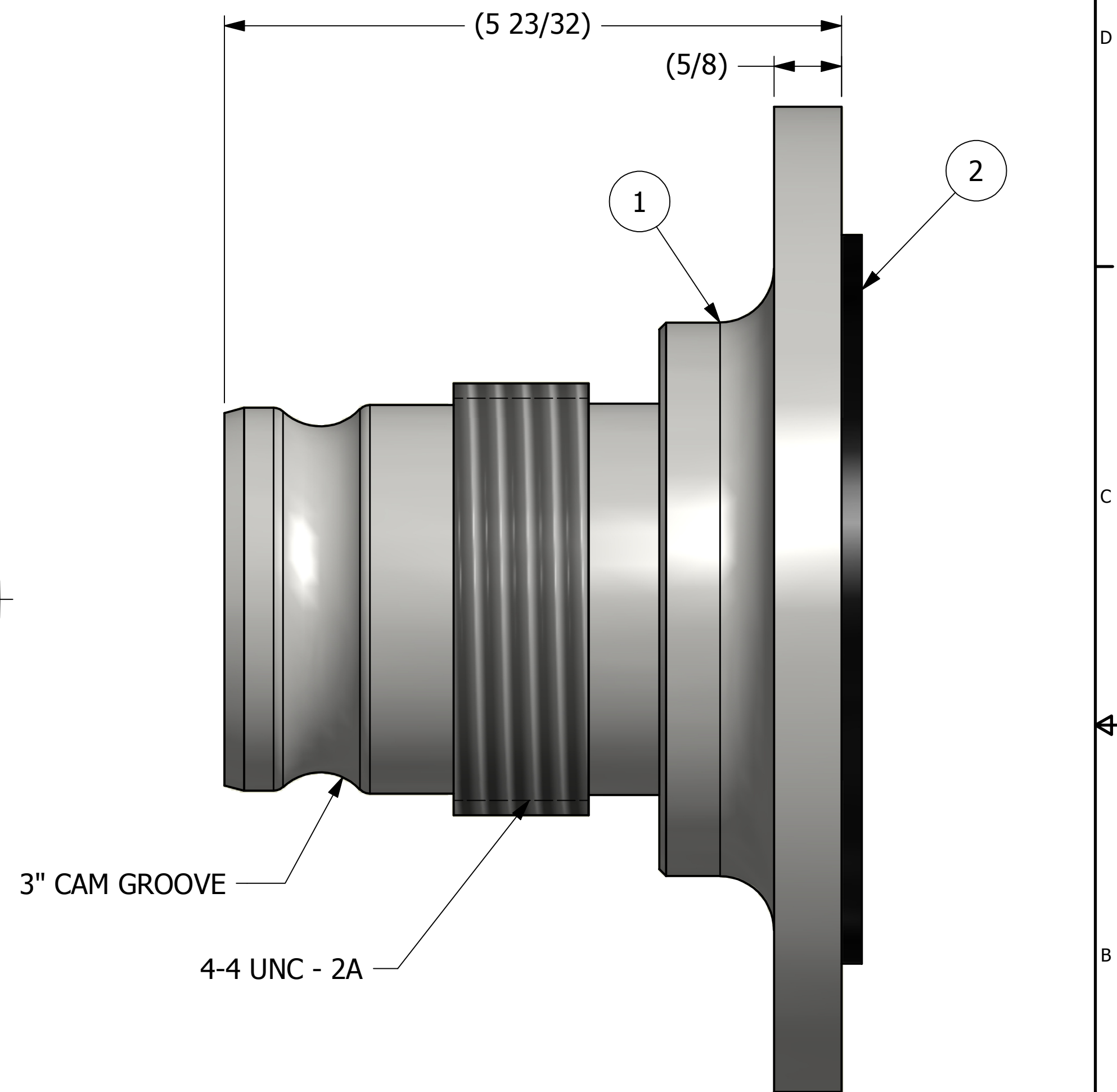
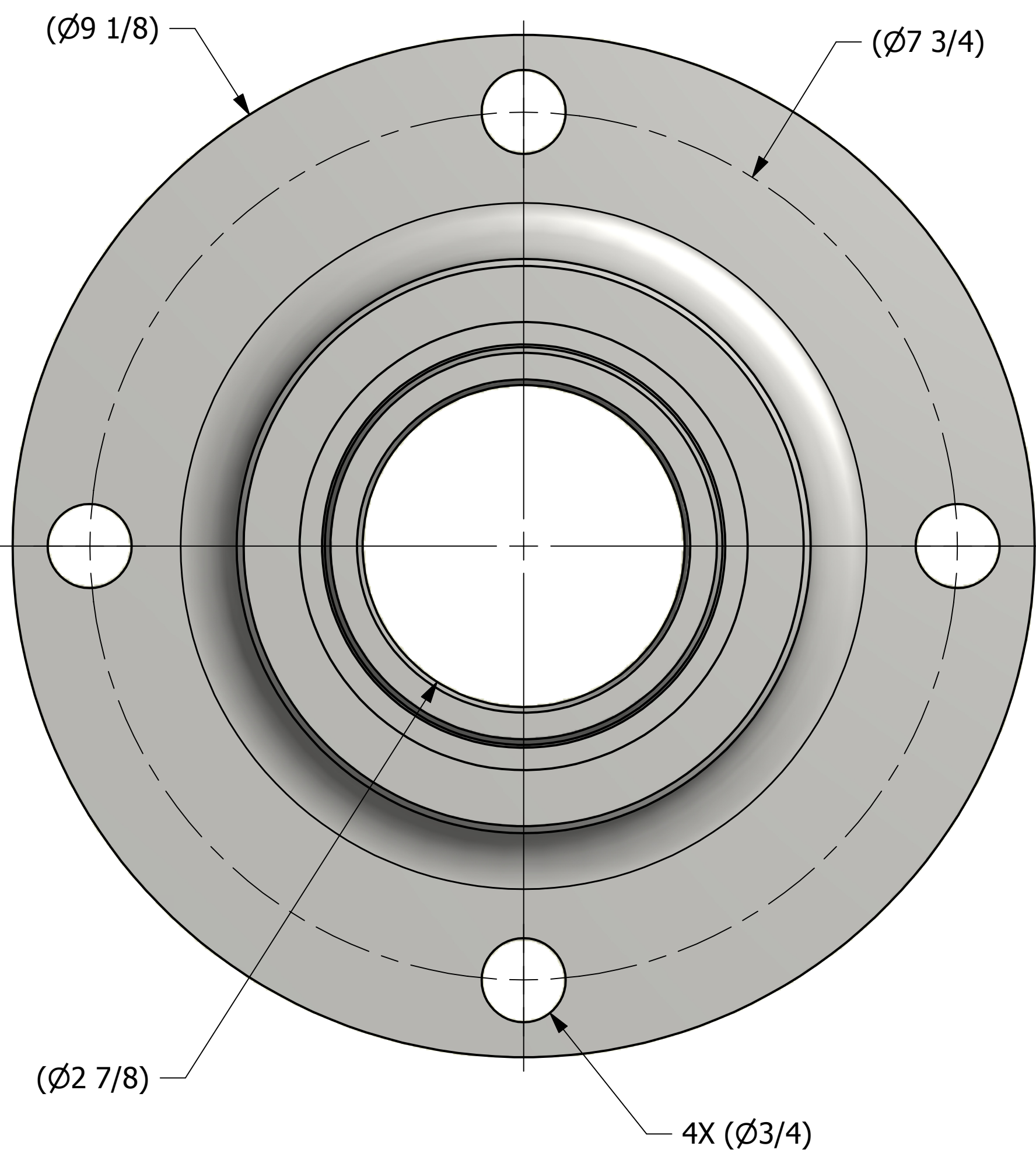


NO.	PART NAME	PART#	REQ'D	MATERIAL
1	QUICK CONNECT ADAPTER 3"X4" FLANGED	TE4X3SFUT	1	316 SS
2	GASKET 3/16"X4"X6 3/4"	FG467506	1	BLACK VITON A



- NOTES:
1. FITS UNION TANK 4" BALL VALVE (7 3/4" B.C.)
  2. AAR APPROVAL # E-149523.
  3. QUICK DISCONNECT MEETS A-A-59326D.
  4. CASTING IS 316 SS AND MEETS ASTM# A743 GRADE CF-8M REQUIREMENTS.

REV	BY	DATE	DESCRIPTION
A	JG	3-8-16	UPDATED TO CURRENT CAD STANDARDS; A-A-59326D WAS MIL-C-27487G; E-149523# WAS E-049013

<small>UNLESS OTHERWISE SPECIFIED DIMENSIONAL TOLERANCES FRACTIONAL: ±1/16 X.XX: ±.03 X.XXX: ±.015 ANGLE: ±1° DEBURR ALL SHARP EDGES. ALL MACHINED SURFACES TO HAVE A 125 RMS FINISH UNLESS NOTED OTHERWISE.</small>	DRAWN BY:	ACC
	CHECKED BY:	
	PROTOTYPE BY:	ACC
	PROTOTYPE DATE:	5/22/2001
	APPROVED FOR PRODUCTION BY:	ACC
THIRD ANGLE PROJECTION	PRODUCTION DATE:	8/11/2004

**SALCO PRODUCTS, INC.**

PART NAME: **QUICK CONNECT ADAPTER 3" FLANGED**

MATERIAL: **SEE BOM**

PROJECT #: **010522** SHEET #: **1 OF 1** SCALE: **1:1**

DRAWING #: **C15796** PART #: **TE4X3SFUT6**