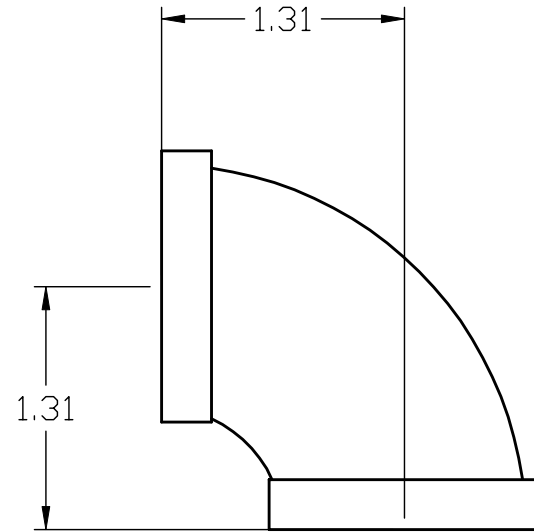


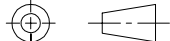


COUPLING IS 150#



A	ACC	6-29-04	ADDED PART INTO THE SYSTEM
REV	BY	DATE	DESCRIPTION
UNLESS OTHERWISE SPECIFIED DIMENSIONAL TOLERANCES			 
FRACTIONAL	±1/16		
X.XX	±0.03		
X.XXX	±0.015		
ANGULAR	±1°		
THIS PRINT, PROPERTY OF SALCO PRODUCTS INC., CONTAINS PROPRIETARY INFORMATION AND MUST NOT BE COPIED, REPRODUCED, OR USED DETRIMENTALLY TO OUR INTEREST.			
THIRD ANGLE PROJECTION			
			
DRAWN BY: ACC		CHKD BY: KRSJ	SCALE: 1:1
MATERIAL: BLACK MALLEABLE IRON		APPROVAL DATE: 6-29-04	
PART NAME: ELBOW 3/4" 90 DEGREE			
PROJECT #	WAG0147	PROTOTYPE AND DATE:	APPROVED FOR PRODUCTION: ACC
DRAWING #	A19292	PART #	E34A90BW