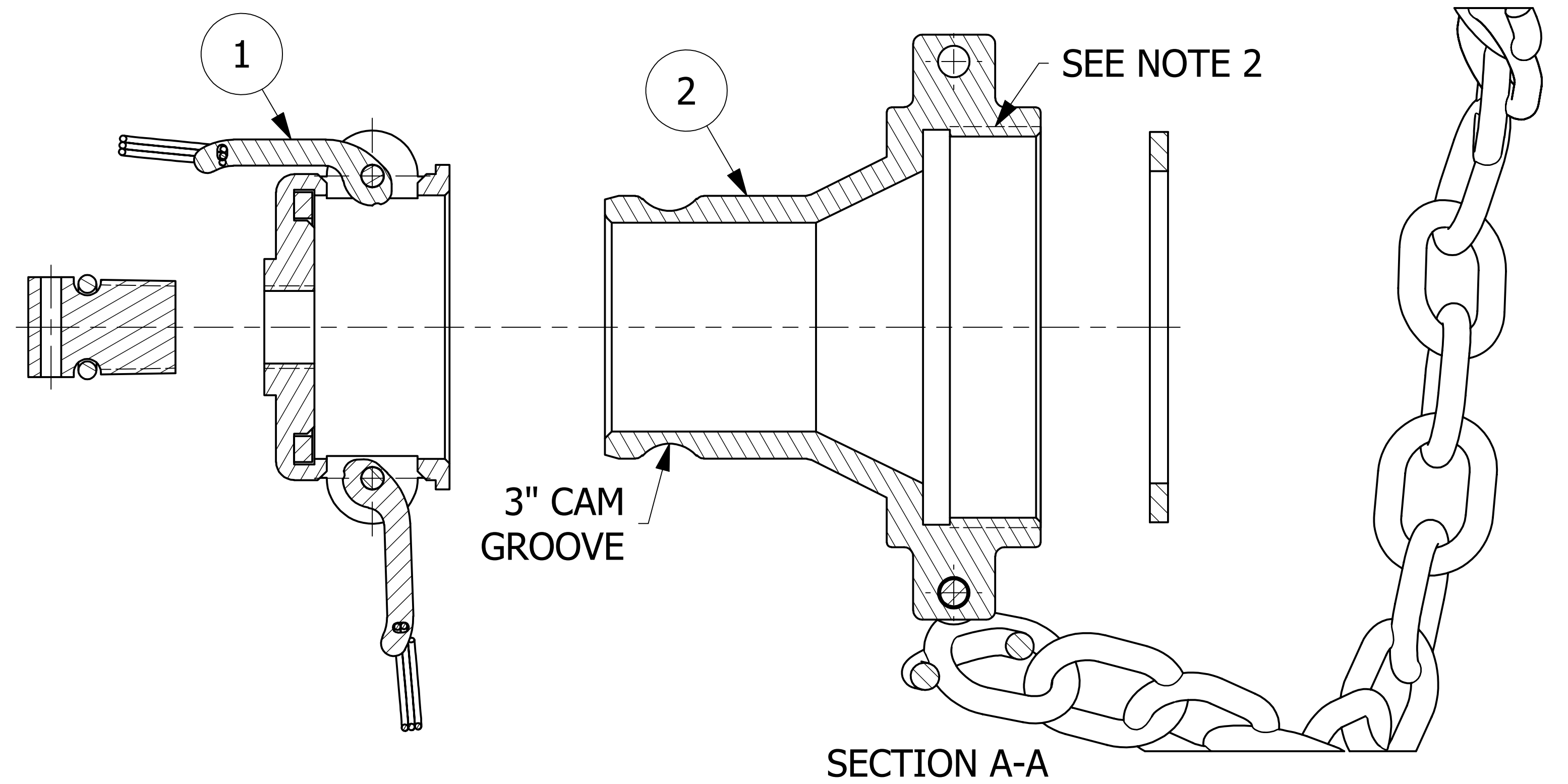
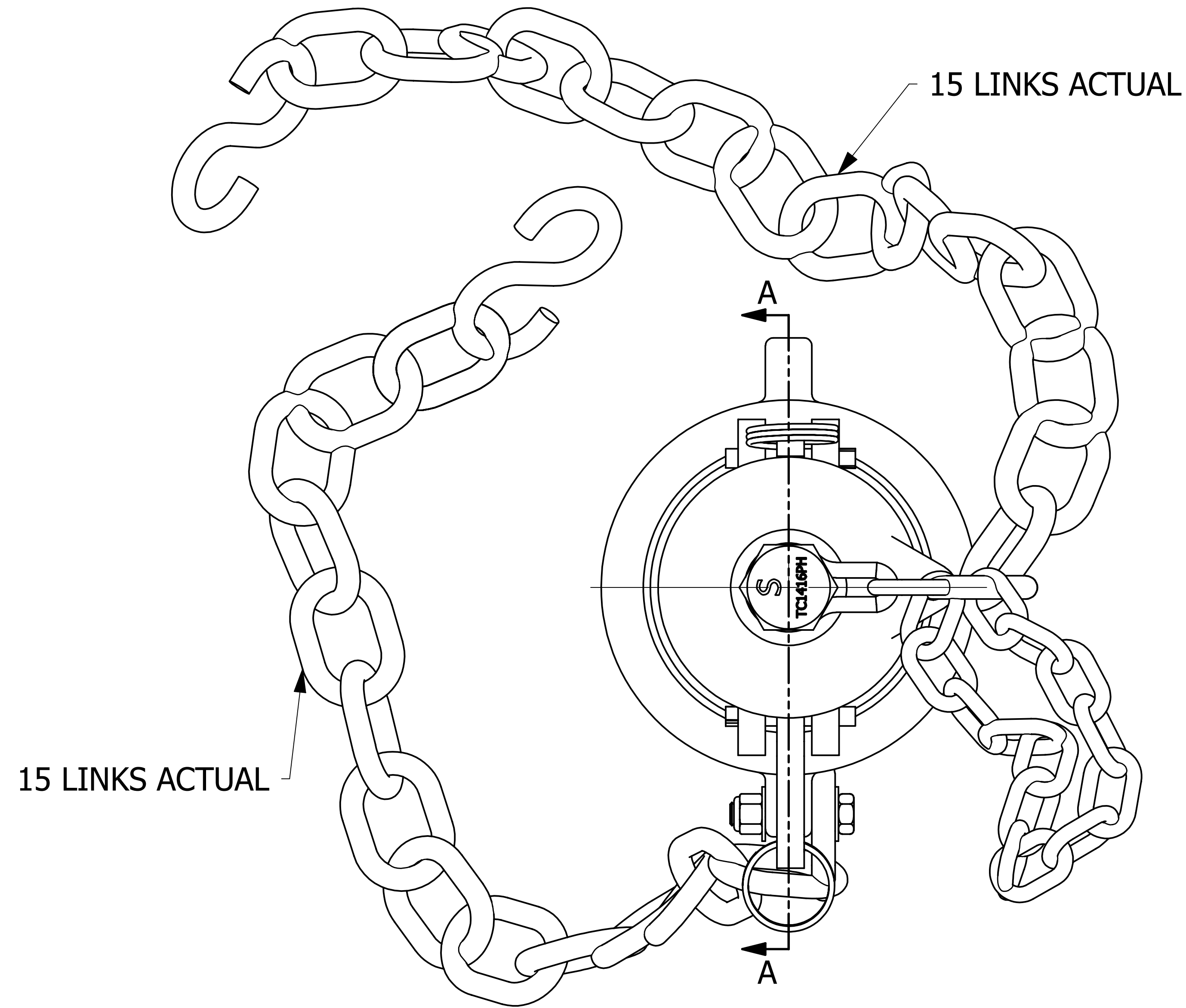


NO.	PART NAME	PART#	REQ'D	MATERIAL
1	QUICK CONNECT CAP 3" KAMMED	K3SDC2A	1	316 SS
2	QUICK CONNECT ADAPTER 3" THREADED	K3SA2A	1	316 SS



**NOTES:**

1. APPROXIMATE HEIGHT = 6 1/2".
2. 5-1/4" - 4 UN 2B THREADS CONFORM TO ANSI B1.1 STANDARD AND FIGURE E18 FROM AAR TANK CAR MANUAL.
3. AAR APPROVAL # E-139514.
4. THIS ASSEMBLY IS NOT DOT APPROVED AND CAN BE USED ONLY ON AAR STENCILED CARS.
5. QUICK DISCONNECT MEETS A-A-59326D.
6. CASTINGS ARE 316 SS GRADE CF-8M, ASTM# A743.
7. GASKETS ARE WHITE FDA NITRILE.

B	RJP	6-26-14	AAR APPROVAL # WAS E-039015, MIL SPEC WAS MIL-C-27487G
A	CHL	12-29-03	AAR APPROVAL# WAS E-939034
REV	BY	DATE	DESCRIPTION

UNLESS OTHERWISE SPECIFIED DIMENSIONAL TOLERANCES FRACTIONAL: ±1/16 X.XX: ±.03 X.XXX: ±.015 ANGULAR: ±1° DEBURR ALL SHARP EDGES. ALL MACHINED SURFACES TO HAVE A 125 RMS FINISH UNLESS NOTED OTHERWISE. THIRD ANGLE PROJECTION	DRAWN BY:	ACC
	CHECKED BY:	PJG
	PROTOTYPE BY:	ACC
	PROTOTYPE DATE:	9/20/2002
	APPROVED FOR PRODUCTION BY:	ACC
	PRODUCTION DATE:	1/2/2003

**SALCO PRODUCTS, INC.**

**UNLOADING ASSY 3 AAR THREADED**

MATERIAL: **SEE BOM**

PROJECT #: **020920** SHEET #: **1 OF 1** SCALE: **3:4**

DRAWING #: **D17310** PART #: **K3SU2A**