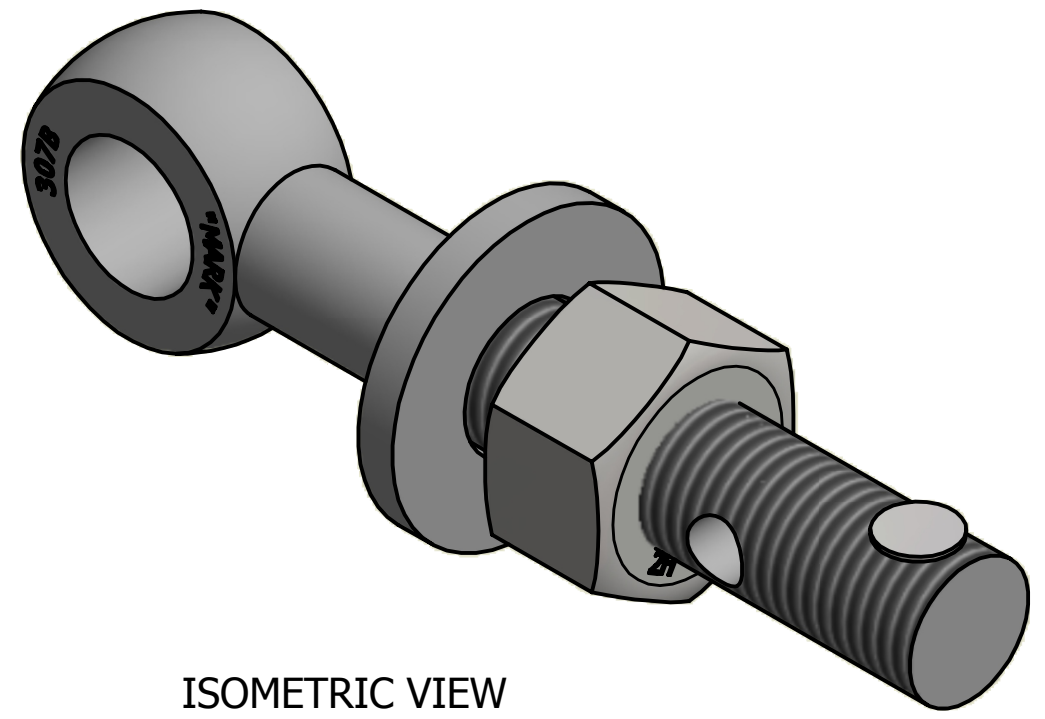
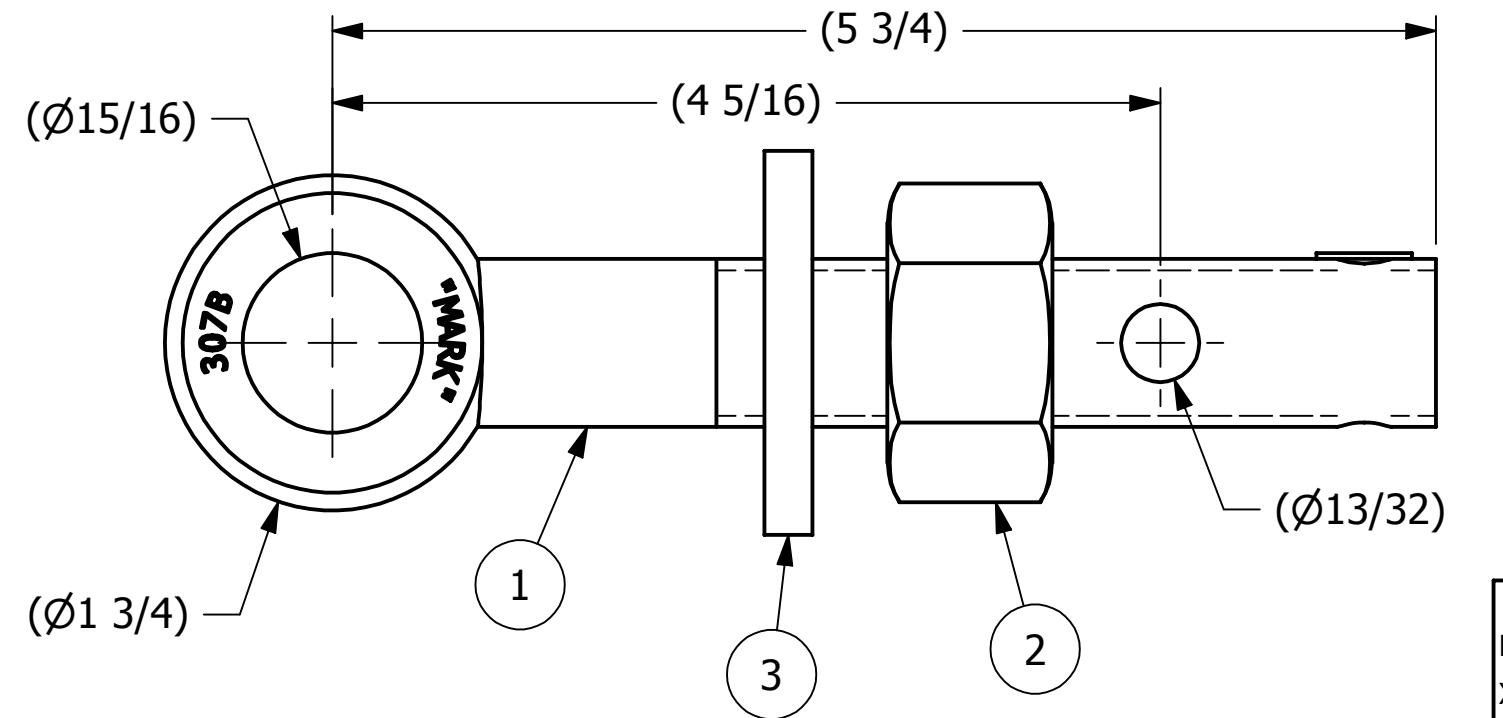
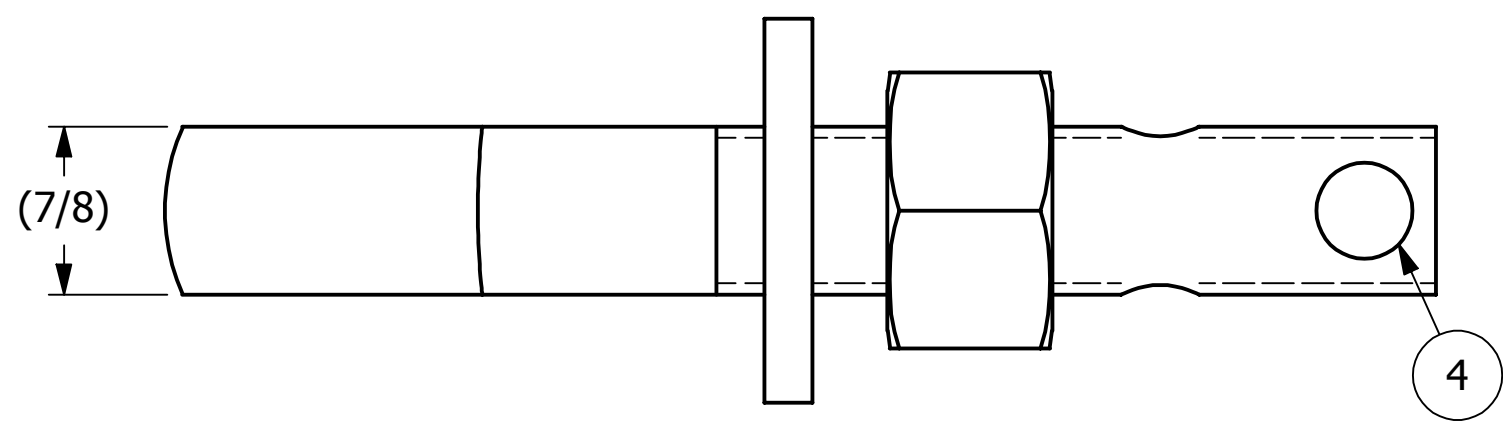


NO.	PART NAME	PART #	REQ'D	MATERIAL
1	EYEBOLT 7/8"X5 3/4"	EBR78534HR	1	CARBON STEEL
2	HEAVY HEX NUT 7/8"-9	N78X	1	CARBON STEEL
3	FLAT WASHER 7/8"	WASH78T	1	CARBON STEEL
4	HUCK RIVET 1/4"X13/16"	A16204	1	304 SS



ISOMETRIC VIEW

REV	BY	DATE	DESCRIPTION
E	JJK	4-16-14	UPDATED EYEBOLT OD
D	CHL	6-10-02	CHANGED MATERIAL WASH78T FROM CS Z/P
C	CHL	11-26-01	REPLACED SN14S W/ A16204
B	FOD	8-5-99	UPDATED BOM, ITEM #1 WAS EBR78534HR
A	FOD	5-26-99	CHANGED PART# ON ITEM #1 WAS EBR78534H UPDATED DRAWING WITH NEW STANDARDS

<small>UNLESS OTHERWISE SPECIFIED DIMENSIONAL TOLERANCES</small> FRACTIONAL: ±1/16 X.XX: ±.03 X.XXX: ±.015 ANGULAR: ±1° <small>DEBURR ALL SHARP EDGES. ALL MACHINED SURFACES TO HAVE A 125 RMS FINISH UNLESS NOTED OTHERWISE.</small>	DRAWN BY:	TJN
	CHECKED BY:	
	PROTOTYPE BY:	TJN
	PROTOTYPE DATE:	2/9/1993
<small>THIRD ANGLE PROJECTION</small> 	APPROVED FOR PRODUCTION BY:	TJN
	PRODUCTION DATE:	2/9/1993

SALCO PRODUCTS, INC.

PART NAME: **EYEBOLT ASSEMBLY 7/8"X5 3/4"**

MATERIAL: **SEE BOM**

PROJECT #: _____ SHEET #: **1 OF 1** SCALE: **1:1**

DRAWING #: **B5301** PART #: **EB78534XHA**

THIS PRINT, PROPERTY OF SALCO PRODUCTS INC., CONTAINS PROPRIETARY INFORMATION AND MUST NOT BE COPIED, REPRODUCED, OR USED DETRIMENTALLY TO OUR INTEREST.