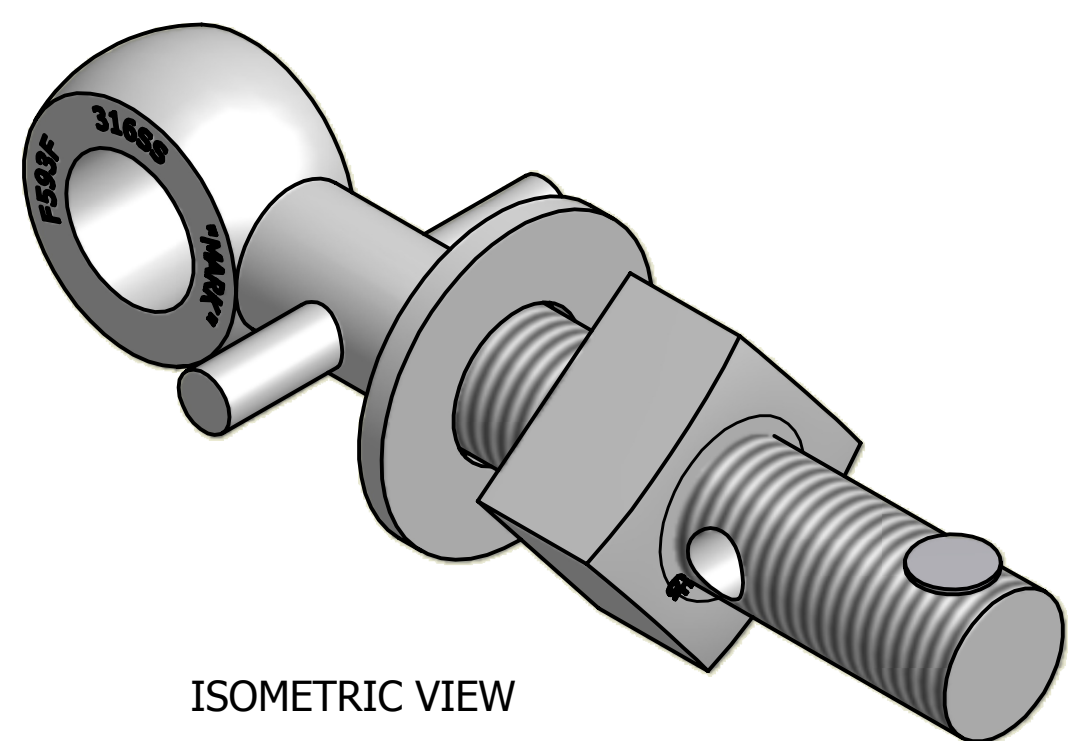


NO.	PART NAME	PART#	REQ'D	MATERIAL
1	EYEBOLT 7/8"X6"	EBR786HS6PR	1	316 SS
2	HEAVY SQUARE NUT 7/8"-9	N78S6	1	416 SS
3	FLAT WASHER 7/8" SAE	WASH78S6	1	316 SS
4	HUCK RIVET 1/4"X13/16"	A16204	1	304 SS
5	PIN 3/8"X2 1/2"	PIN375SS	1	316 SS



B	CHL	11-26-01	REPLACED SN14S W/ A16204
A	FOD	6-3-99	CHANGED PART # ITEM #1 WAS EBR786HS6P UPDATED DRAWING WITH NEW STANDARDS
REV	BY	DATE	DESCRIPTION

UNLESS OTHERWISE SPECIFIED DIMENSIONAL TOLERANCES FRACTIONAL: ±1/16 X.XX: ±.03 X.XXX: ±.015 ANGULAR: ±1° DEBURR ALL SHARP EDGES. ALL MACHINED SURFACES TO HAVE A 125 RMS FINISH UNLESS NOTED OTHERWISE. THIRD ANGLE PROJECTION	DRAWN BY:	TJN
	CHECKED BY:	
	PROTOTYPE BY:	TJN
	PROTOTYPE DATE:	3/3/1993
	APPROVED FOR PRODUCTION BY:	TJN
	PRODUCTION DATE:	3/3/1999

SALCO PRODUCTS, INC.

PART NAME: EYEBOLT ASSEMBLY 7/8"X6"

MATERIAL: SEE BOM

PROJECT #: SHEET #: 1 OF 1 SCALE: 1:1

DRAWING #: **B5399** PART #: **EB786HAS6P**

THIS PRINT, PROPERTY OF SALCO PRODUCTS INC., CONTAINS PROPRIETARY INFORMATION AND MUST NOT BE COPIED, REPRODUCED, OR USED DETRIMENTALLY TO OUR INTEREST.