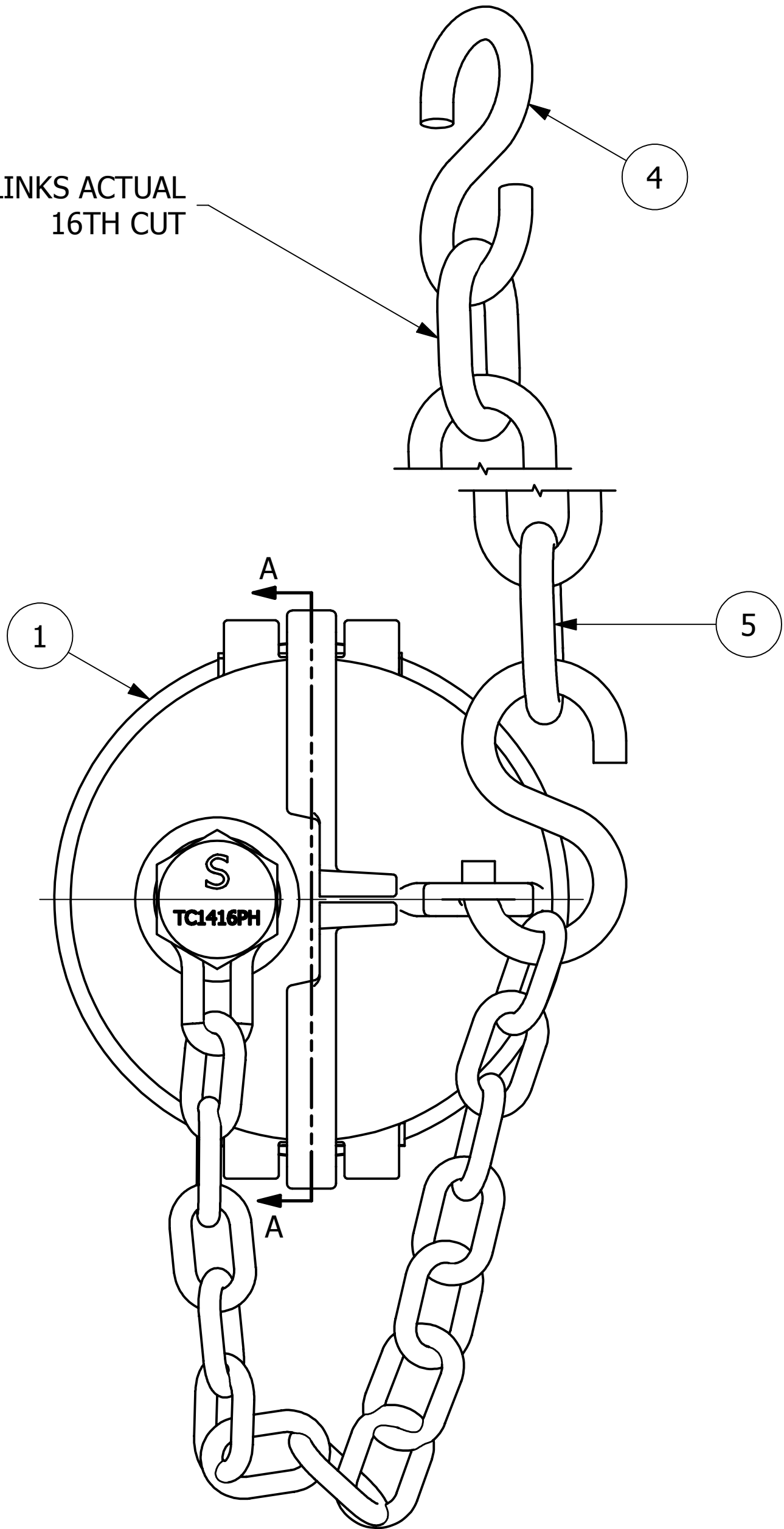
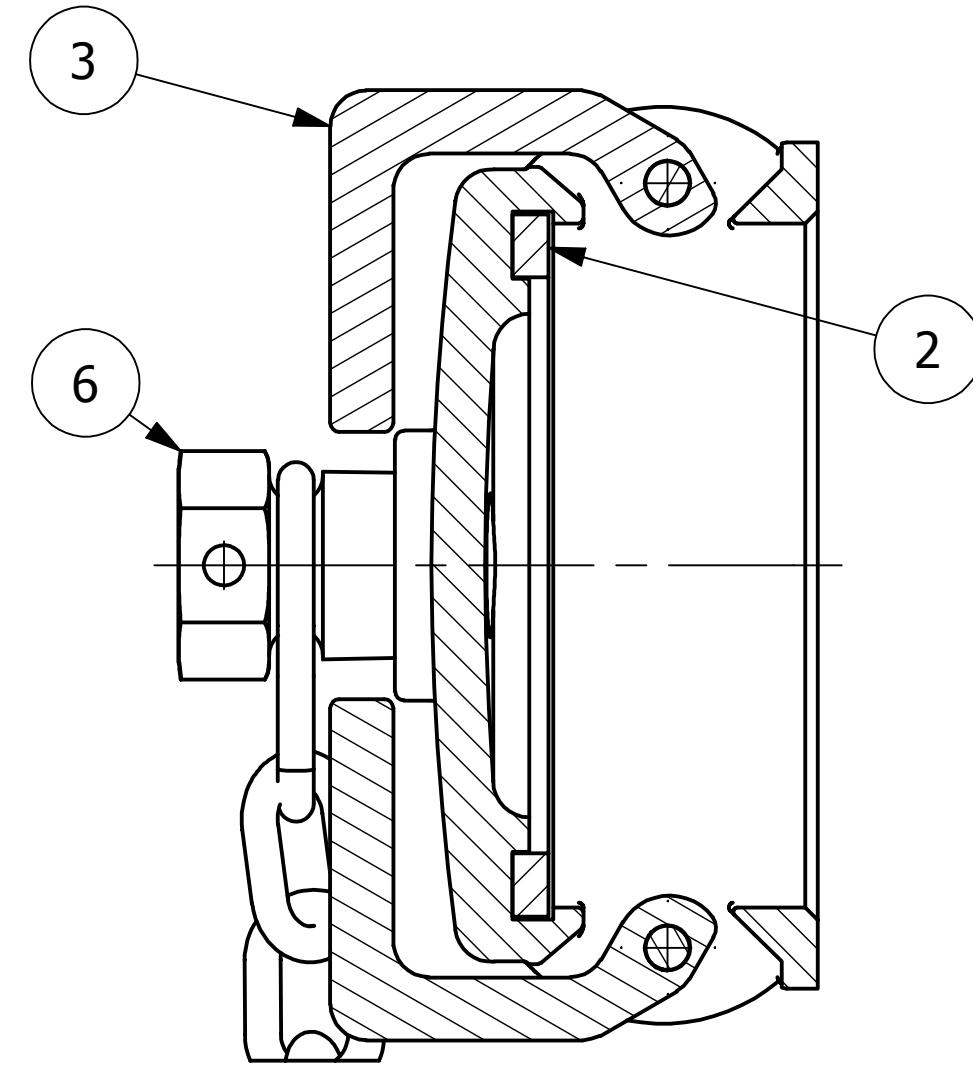


15 LINKS ACTUAL
16TH CUT



NO.	PART NAME	PART#	REQ'D	MATERIAL
1	QUICK CONNECT CAP 4" KAMMED	K4SDC	1	316 SS
2	DUST CAP GASKET 4"	PD4DCGW	1	WHITE FDA NITRILE
3	KAM ARMS CROSSOVER	KLA4	1	BRONZE
4	S-HOOK 3/8"X3 1/2"	SC38SHS	2	18-8 SS
5	CHAIN LINK 3/8"	SC80	16	18-8 SS
6	PLUG ASSEMBLY 1"	TC1416PAH	1	416 SS



SECTION A-A

- NOTES:
1. THIS ASSEMBLY IS NOT DOT APPROVED AND CAN BE USED ONLY ON AAR STENCILED CARS.
 2. QUICK DISCONNECT MEETS A-A-59326D.
 3. DUST CAP IS 316 SS ASTM# A743 GRADE CF-8M.
 4. AAR APPROVAL # E-139514.

C	RJP	12-20-13	AAR APPROVAL # WAS E-019022 MIL SPEC WAS MIL-C-27487G
B	TAJ	6-29-11	AAR APPROVAL # WAS E-039015
A	CHL	1-8-04	AAR APPROVAL # WAS E-939034
REV	BY	DATE	DESCRIPTION

<small>UNLESS OTHERWISE SPECIFIED DIMENSIONAL TOLERANCES FRACTIONAL: ±1/16 X.XX: ±.03 X.XXX: ±.015 ANGLE: ±1° DEBURR ALL SHARP EDGES. ALL MACHINED SURFACES TO HAVE A 125 RMS FINISH UNLESS NOTED OTHERWISE.</small>	DRAWN BY:	FOD
	CHECKED BY:	ACC
	PROTOTYPE BY:	FOD
	PROTOTYPE DATE:	3/6/2000
	APPROVED FOR PRODUCTION BY:	ACC
	PRODUCTION DATE:	3/6/2000

SALCO PRODUCTS, INC.

PART NAME: **QUICK CONNCT CAP 4" KAMMED**

MATERIAL: **SEE BOM**

PROJECT #: _____ SHEET #: **1 OF 1** SCALE: **3:4**

DRAWING #: **C14148** PART #: **K4SCDC2A**