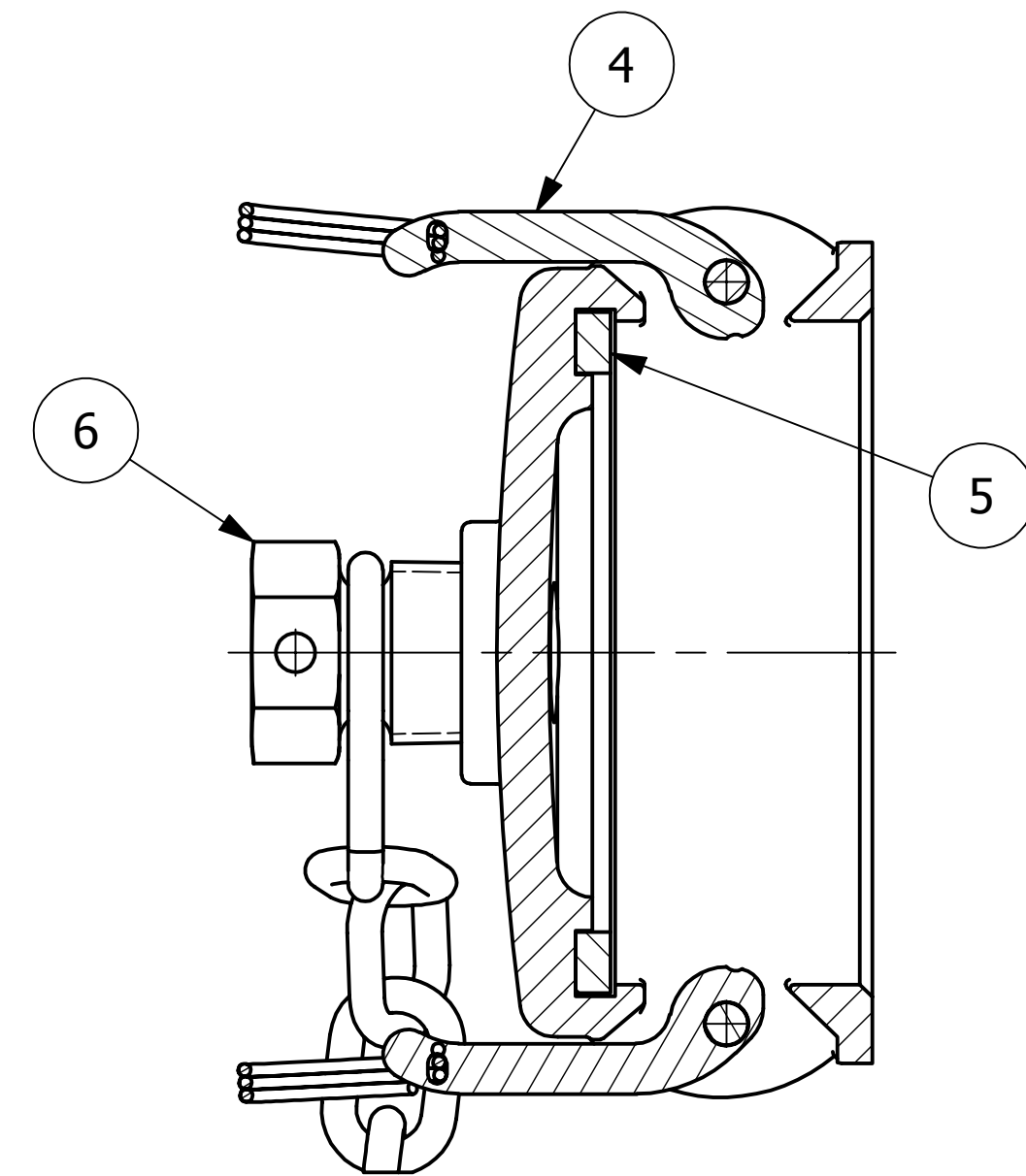
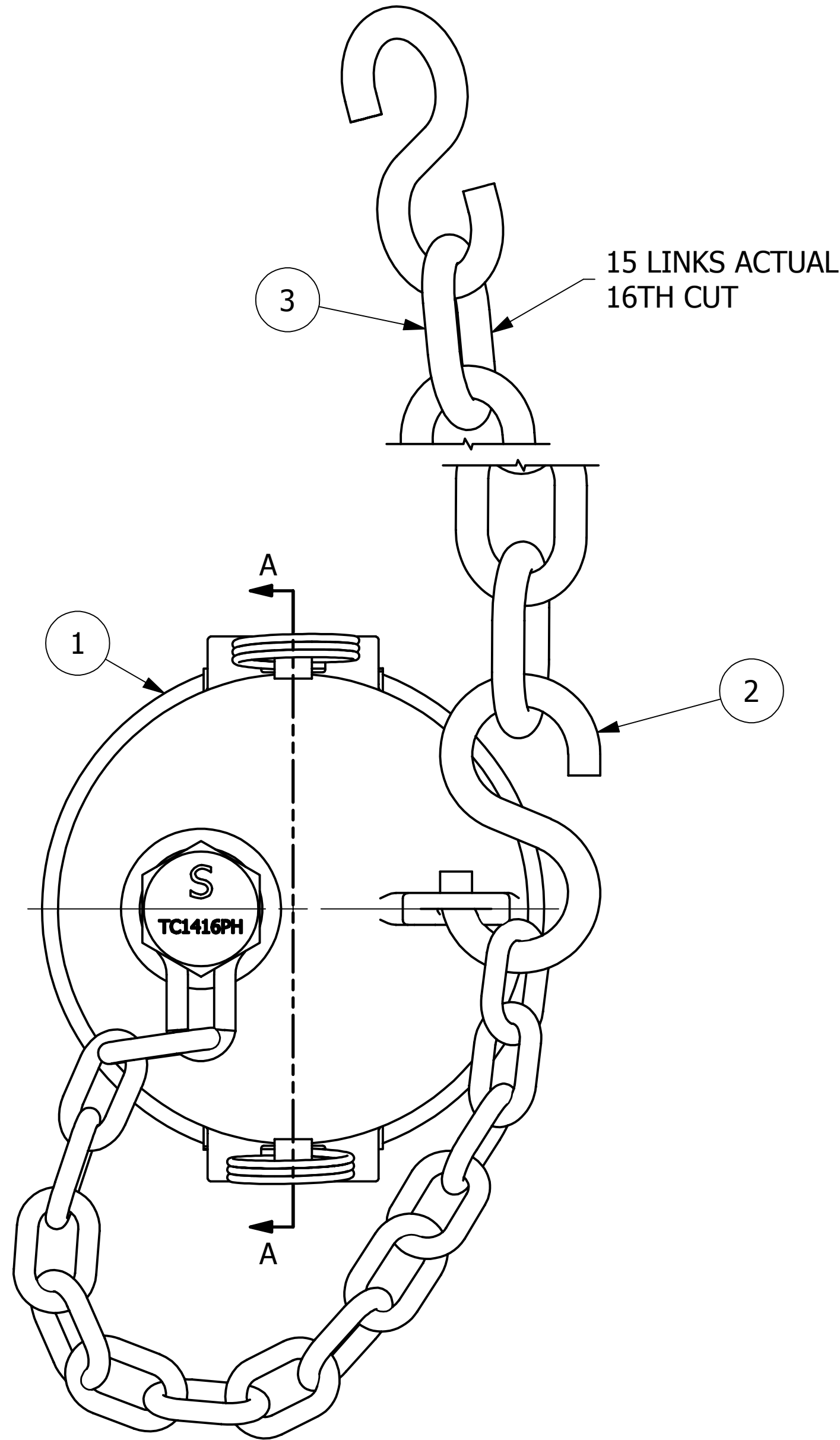


NO.	PART NAME	PART#	REQ'D	MATERIAL
1	QUICK CONNECT CAP 4" KAMMED	K4SDC	1	316 SS
2	S-HOOK 3/8"X3 1/2"	SC38SHS	2	18-8 SS
3	CHAIN LINK 3/8"	SC80	16	18-8 SS
4	KAM ARMS STRAIGHT	SSKLA	2	304 SS
5	DUST CAP GASKET 4"	PD4DCGW	1	WHITE FDA NITRILE
6	PLUG ASSEMBLY 1"	TC1416PAH	1	416 SS



SECTION A-A

NOTES:

1. THIS ASSEMBLY IS NOT DOT APPROVED AND CAN BE USED ONLY ON AAR STENCILED CARS.
2. QUICK DISCONNECT MEETS A-A-59326D.
3. DUST CAP IS 316 SS ASTM# A743 GRADE CF-8M.
4. AAR APPROVAL # E-139514.

C	RJP	12-20-13	AAR APPROVAL # WAS E-019022 MIL SPEC WAS MIL-C-27487G
B	TAJ	7-7-11	AAR APPROVAL # WAS E-039015
A	CHL	1-12-04	AAR APPROVAL # WAS E-939034
REV	BY	DATE	DESCRIPTION

UNLESS OTHERWISE SPECIFIED DIMENSIONAL TOLERANCES FRACTIONAL: $\pm 1/16$ X.XX: $\pm .03$ X.XXX: $\pm .015$ ANGLE: $\pm 1^\circ$ DEBURR ALL SHARP EDGES. ALL MACHINED SURFACES TO HAVE A 125 RMS FINISH UNLESS NOTED OTHERWISE. THIRD ANGLE PROJECTION	DRAWN BY:	FOD
	CHECKED BY:	ACC
	PROTOTYPE BY:	FOD
	PROTOTYPE DATE:	3/13/2000
	APPROVED FOR PRODUCTION BY:	ACC
	PRODUCTION DATE:	3/10/2000

<b>SALCO PRODUCTS, INC.</b>		
PART NAME: <b>QUICK CONNECT CAP 4" KAMMED</b>		
MATERIAL: <b>SEE BOM</b>		
PROJECT #:	SHEET #:	SCALE:
<b>000310</b>	<b>1 OF 1</b>	<b>3:4</b>
DRAWING #:	PART #:	
<b>C14150</b>	<b>K4SDC2A</b>	