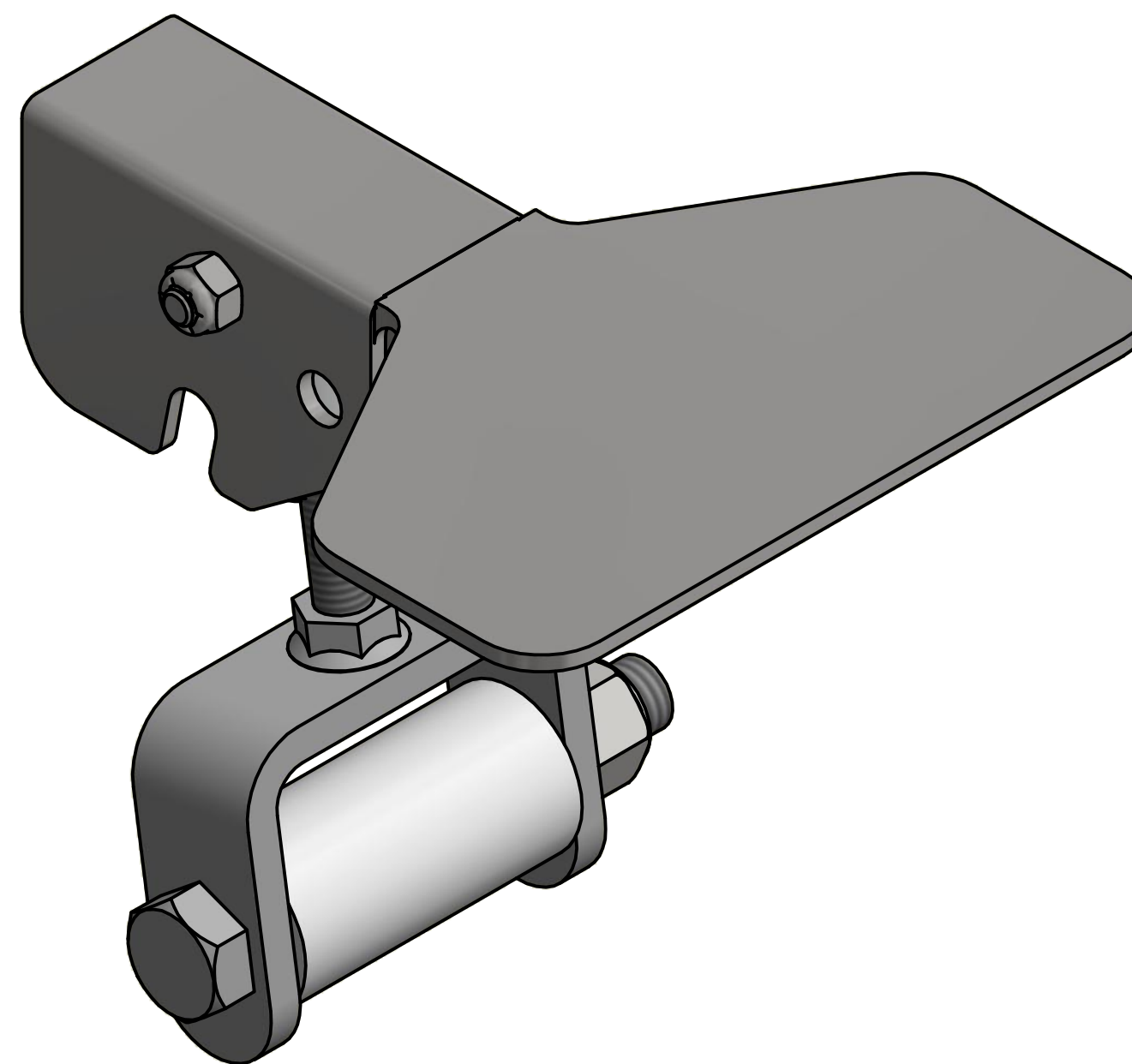
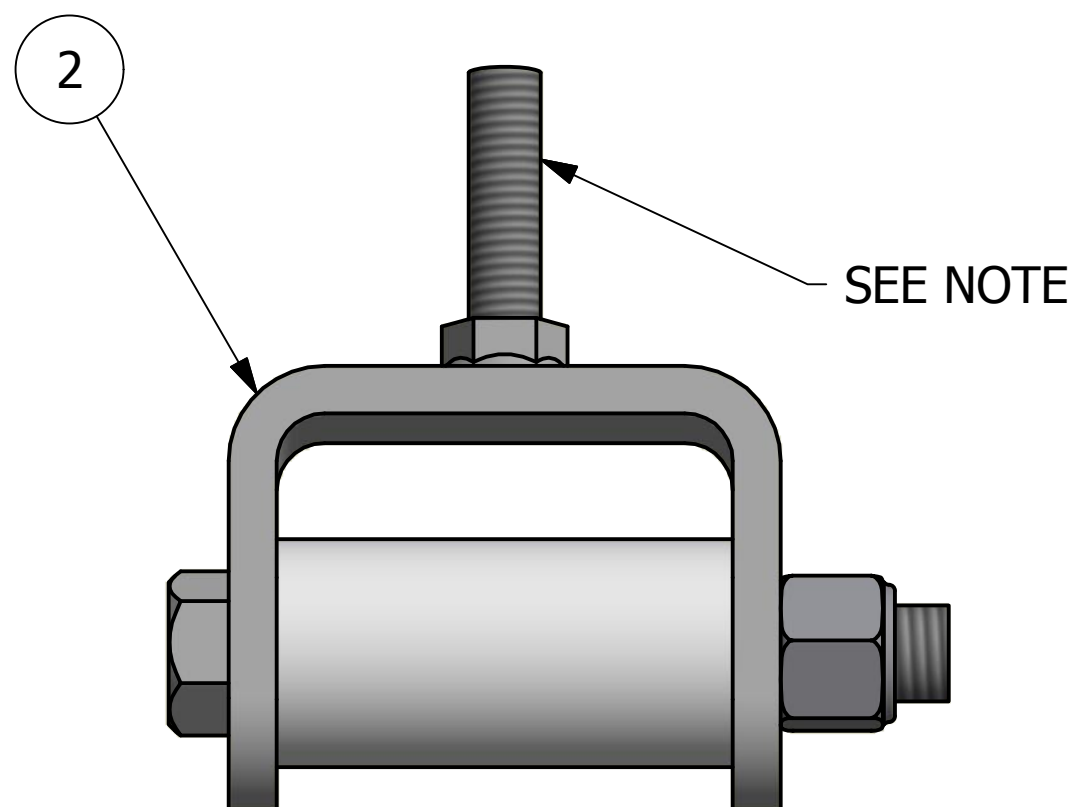
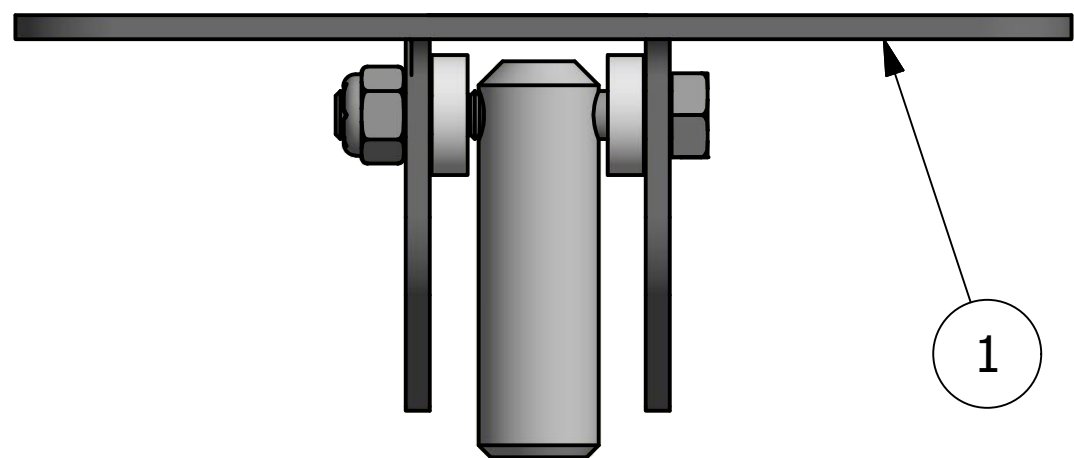


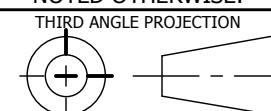
NO.	PART NAME	PART#	REQ'D	MATERIAL
1	HATCH COVER LATCH	LAL20LP	1	SS
2	HATCH COVER U-BRACKET ASSEMBLY	TE203PUA	1	SS



NOTE:
APPLY JET-LUBE WHITE KNIGHT ANTI-SEIZE DURING ASSEMBLY

E	WEB	9-13-18	ADDED NOTE
D	REH	02-18-10	UPDATED DRAWING & DELETED NOTES
C	CHL	01-11-01	ADDED SUBASSEMBLIES AND NOTES
B	FOD		CHNGD MATERIAL DESCRIPTION OF ITEM #1
A	FOD		CHANGED PRODUCT # WAS LAL203P
REV	BY	DATE	DESCRIPTION

UNLESS OTHERWISE SPECIFIED DIMENSIONAL TOLERANCES FRACTIONAL: $\pm 1/16$ X.XX: $\pm .015$ X.XXX: $\pm .005$ ANGLE: $\pm 1^\circ$ DEBURR ALL SHARP EDGES. ALL MACHINED SURFACES TO HAVE A 125 RMS FINISH UNLESS NOTED OTHERWISE.	DRAWN BY:	ACC
	CHECKED BY:	CHL
	PROTOTYPE BY:	ACC
	PROTOTYPE DATE:	10/25/1995
	APPROVED FOR PRODUCTION BY:	ACC
	PRODUCTION DATE:	10/25/1995



SALCO PRODUCTS, INC.		
PART NAME: HATCH COVER LATCH ASSEMBLY 20"		
MATERIAL: SEE BOM		
PROJECT #:	SHEET #: 1 OF 1	SCALE: 1:1
DRAWING #: C7723	PART #: LAL203PS	