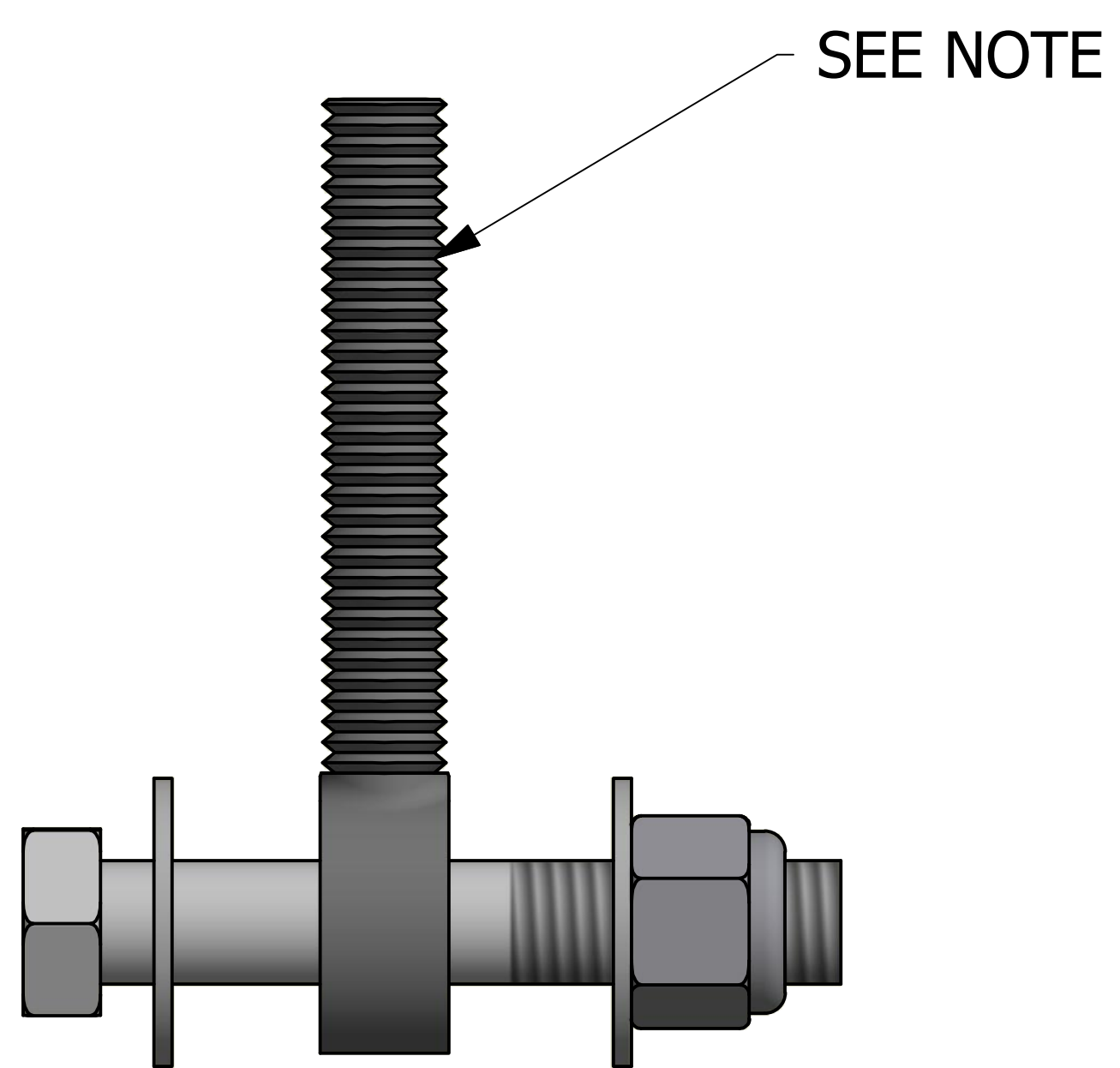
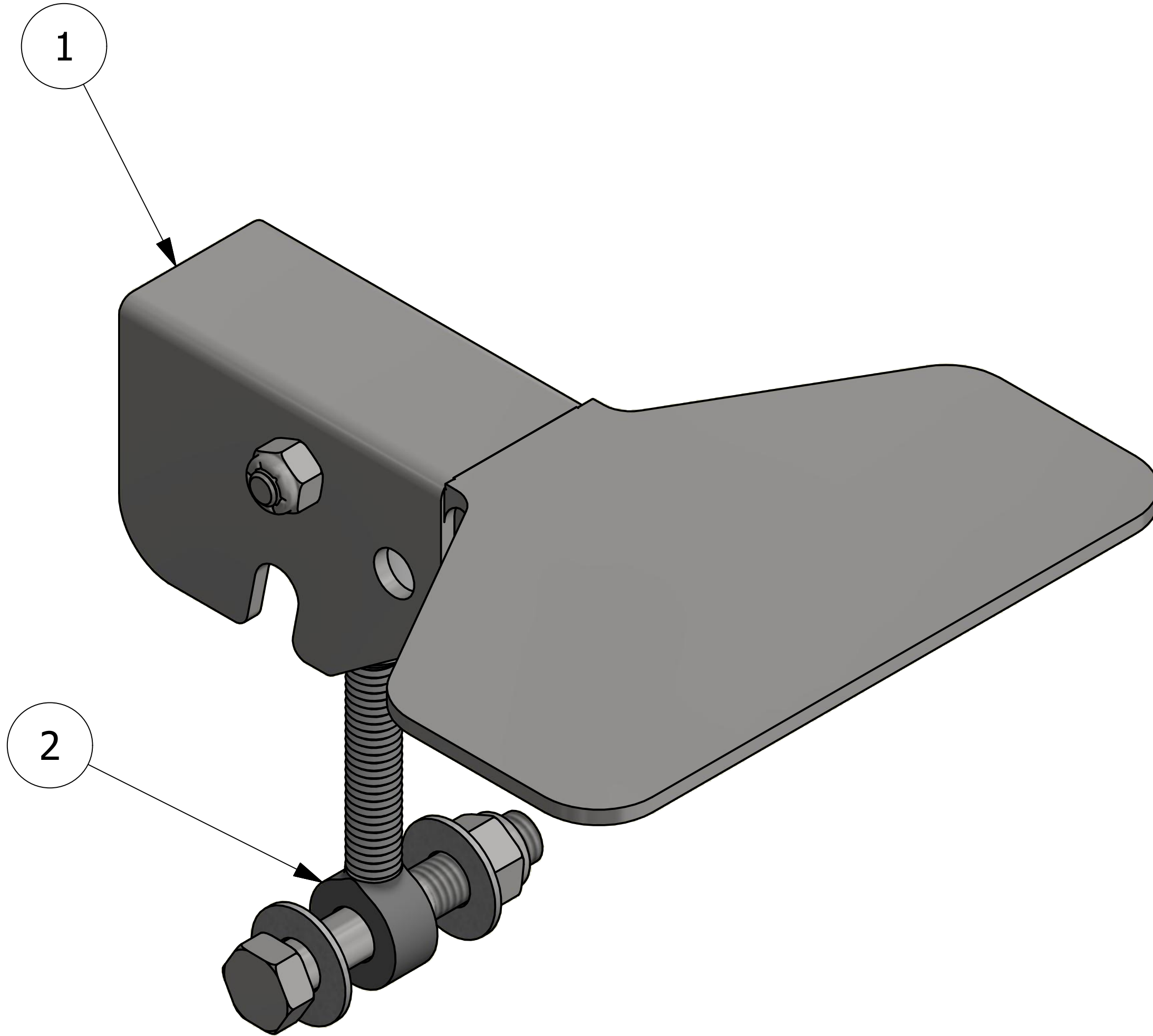
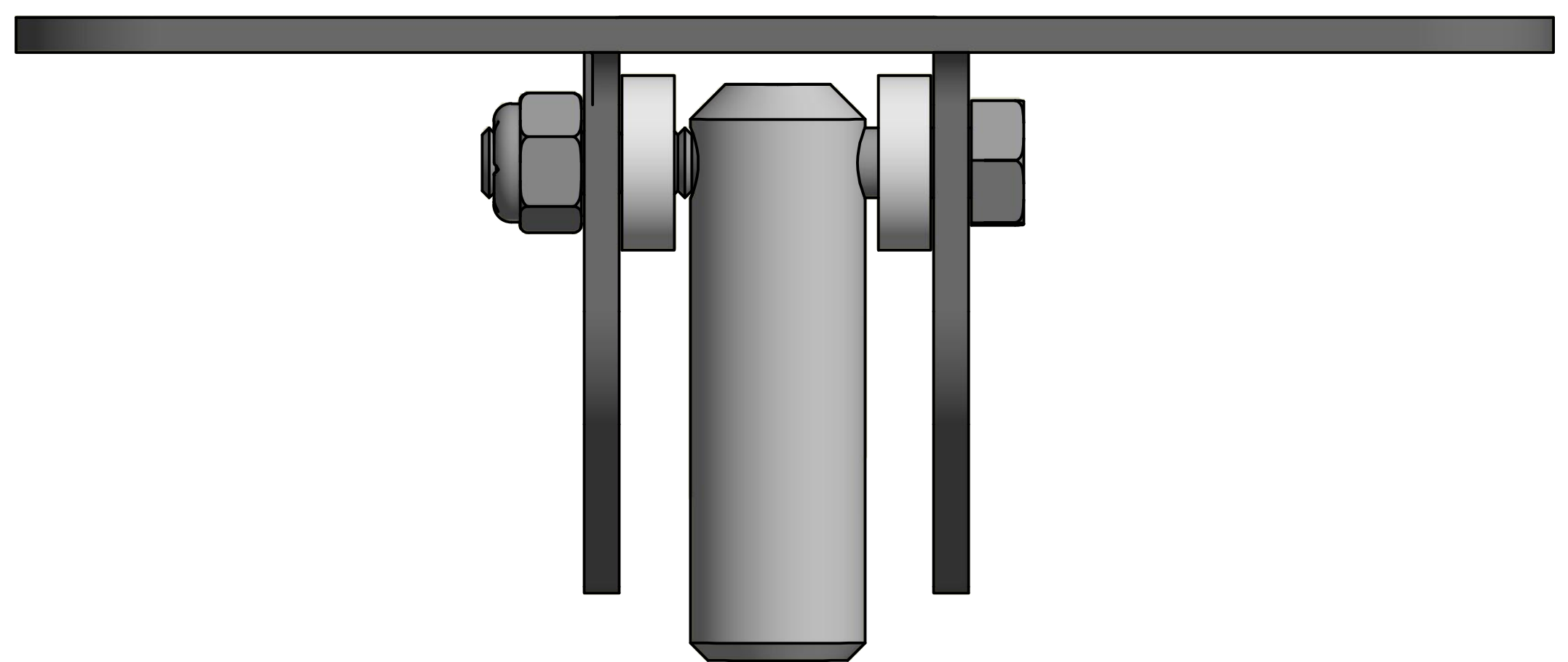


NO.	PART NAME	PART#	REQ'D	MATERIAL
1	HATCH COVER LATCH	LAL20LP	1	SS
2	HATCH COVER LATCH EYEBOLT ASSEMBLY	TE25BSA	1	SS/CS



NOTE:  
APPLY JET-LUBE WHITE KNIGHT ANTI-SEIZE DURING ASSEMBLY

REV	BY	DATE	DESCRIPTION
C	WEB	9-17-18	ADDED NOTE, UPDATED BOM MATERIAL
B	REH	02-18-10	DELETED NOTES UPDATED DRAWING & ADDED BOM
A	CHL	01-11-01	ADDED SUBASSEMBLIES AND NOTES

UNLESS OTHERWISE SPECIFIED DIMENSIONAL TOLERANCES	DRAWN BY:	MRC
FRACTIONAL: ±1/16	CHECKED BY:	CHL
X.XX: ±.015	PROTOTYPE BY:	MRC
X.XXX: ±.005	PROTOTYPE DATE:	3/14/2000
ANGULAR: ±1°	APPROVED FOR PRODUCTION BY:	CHL
DEBURR ALL SHARP EDGES. ALL MACHINED SURFACES TO HAVE A 125 RMS FINISH UNLESS NOTED OTHERWISE.	PRODUCTION DATE:	3/14/2000
THIRD ANGLE PROJECTION		

**SALCO PRODUCTS, INC.**

PART NAME: **HATCH COVER LATCH ASSEMBLY 20"**

MATERIAL: **SEE BOM**

PROJECT #: **RD991203** SHEET #: **1 OF 1** SCALE: **2:1**

DRAWING #: **D14430** PART #: **LAL20NSC**