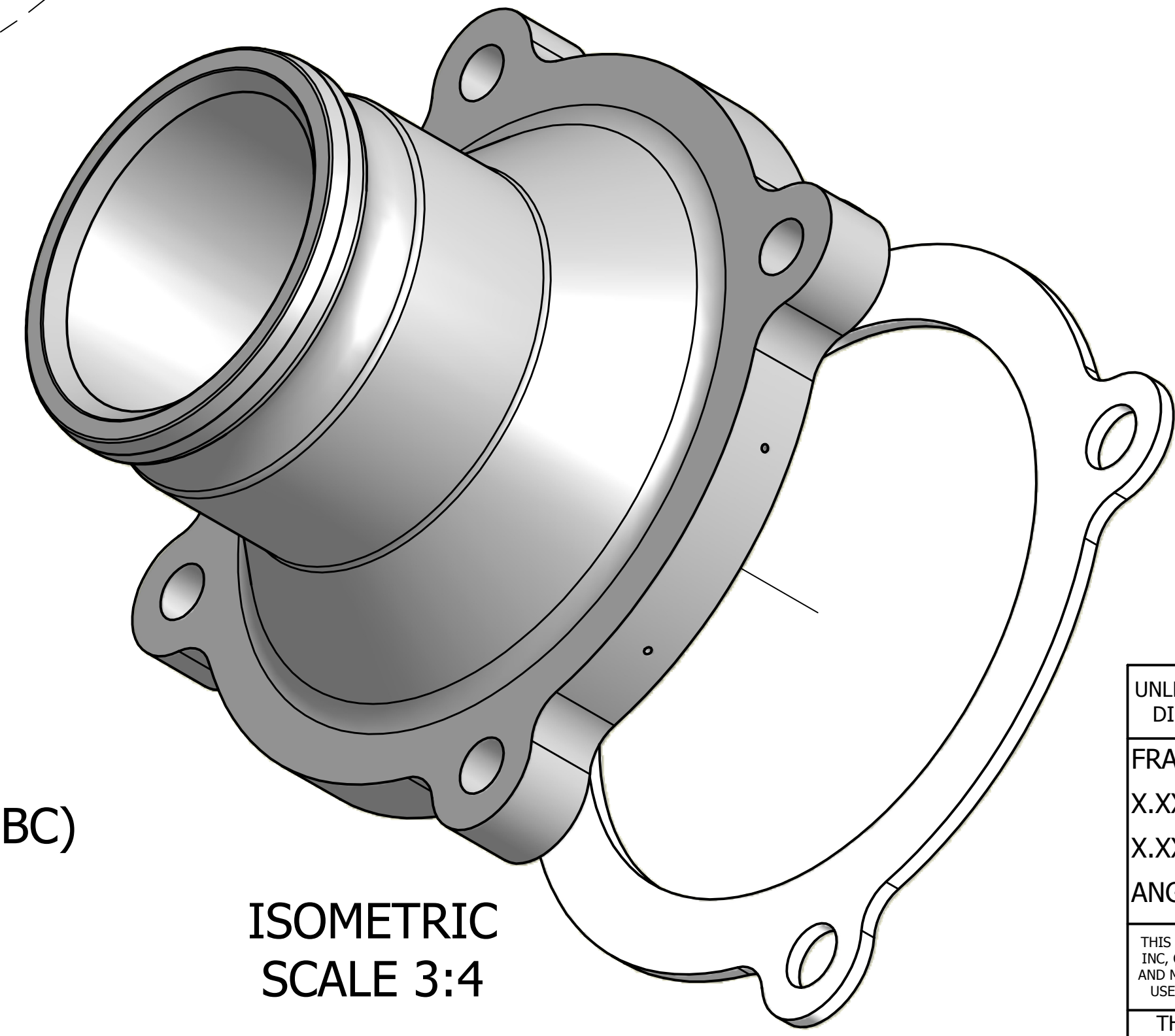
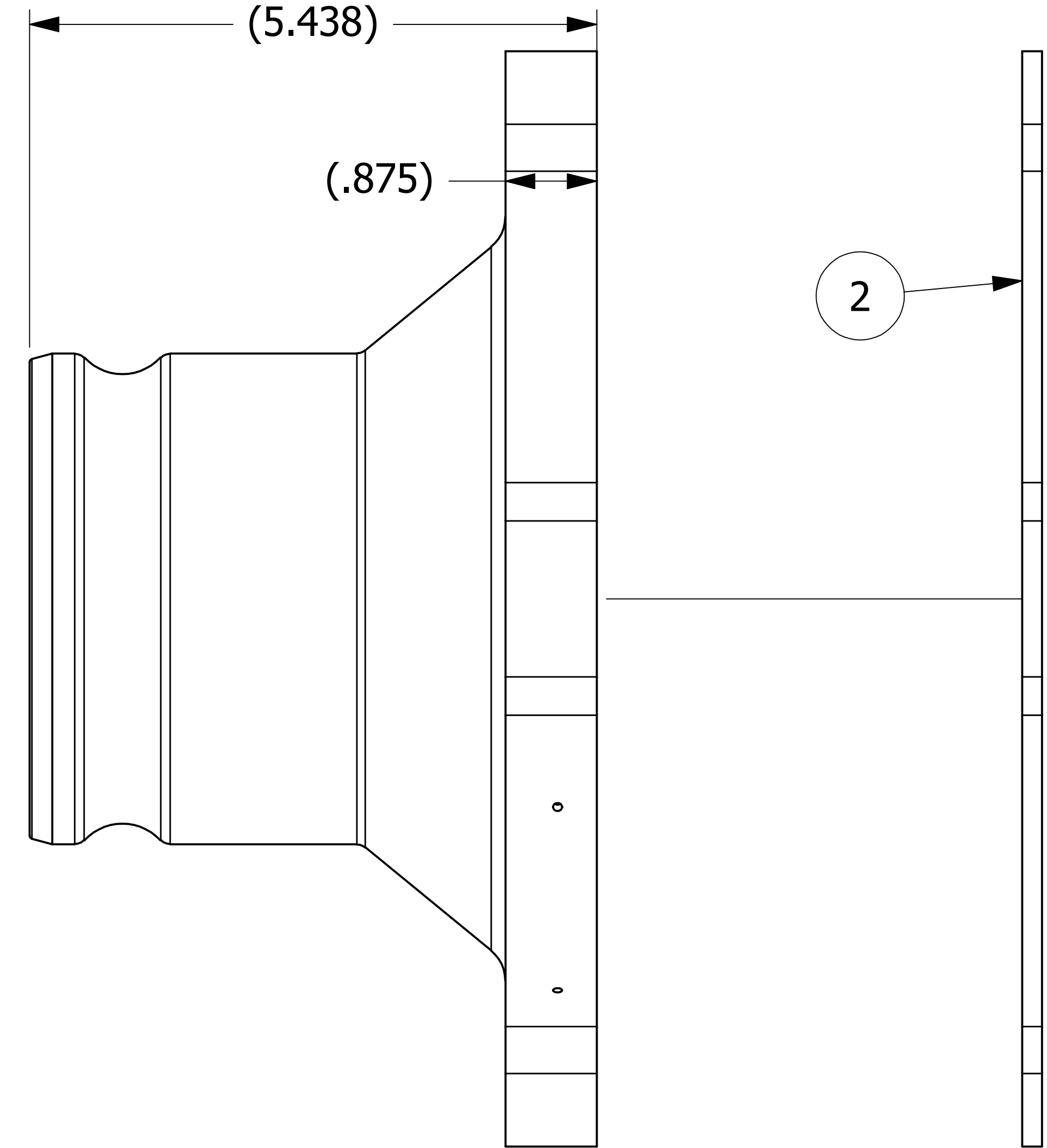
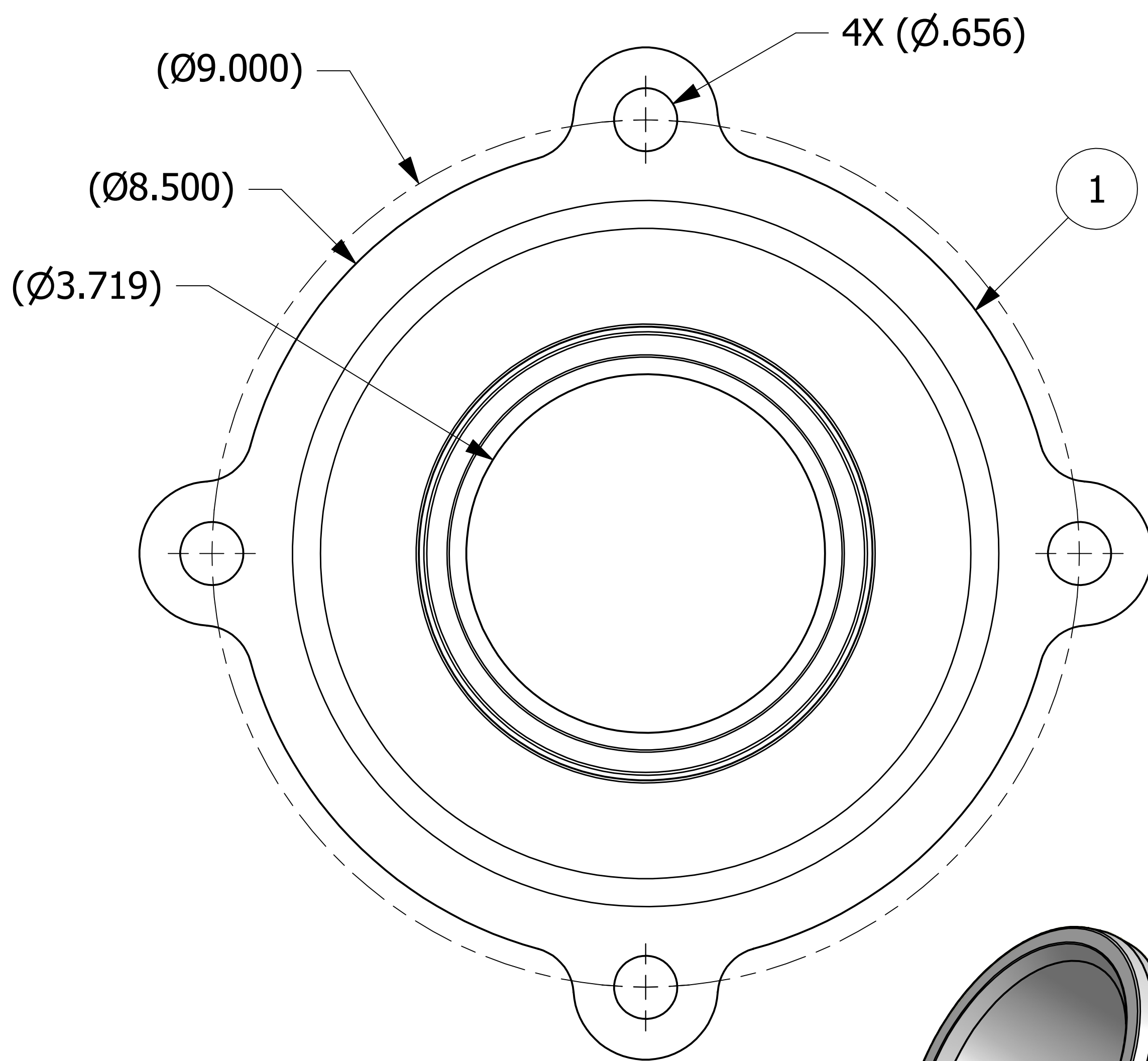



NO.	PART NAME	PART #	REQ'D	MATERIAL
1	QUICK DISCONNECT ADAPTER 4" FLANGED	K4SWF	1	316 SS
2	FLANGE GASKET 4"	K4WFG	1	WHITE FDA NITRILE



- NOTES:
1. THIS ASSEMBLY IS NOT DOT APPROVED AND CAN BE USED ONLY ON AAR STENCILED CARS.
 2. QUICK DISCONNECT MEETS MIL-C-27487G SPECS.
 3. FLANGE IS 316 SS GRADE CF-8M ASTM# A743.
 4. FITS JAMESBURY 6" WAFER SPHERE VALVE (9.00" BC)
 5. AAR APPROVAL # E-039015.

UNLESS OTHERWISE SPECIFIED DIMENSIONAL TOLERANCES		DRAWN BY:	FOD	A CHL 1-12-04 AARAPPROVAL # WAS E-939034	
FRACTIONAL:	±1/16	CHECKED BY:	ACC	REV BY DATE DESCRIPTION	
X.XX:	±.03	PROTOTYPE BY:	FOD	 QUICK CONNECT ADAPTER 4" FLANGED	
X.XXX:	±.015	PROTOTYPE DATE:	3/6/2000		
ANGULAR:	±1°	APPROVED FOR PRODUCTION BY:	ACC	MATERIAL: SEE BOM	
THIS PRINT, PROPERTY OF SALCO PRODUCTS INC, CONTAINS PROPRIETARY INFORMATION AND MUST NOT BE COPIED, REPRODUCED, OR USED DETRIMENTALLY TO OUR INTEREST.		PRODUCTION DATE:	3/6/2000	PROJECT #:	
THIRD ANGLE PROJECTION				SHEET #:	1 OF 1
				DRAWING #:	D14140
				PART #:	K4SWF2
				SCALE:	1:1