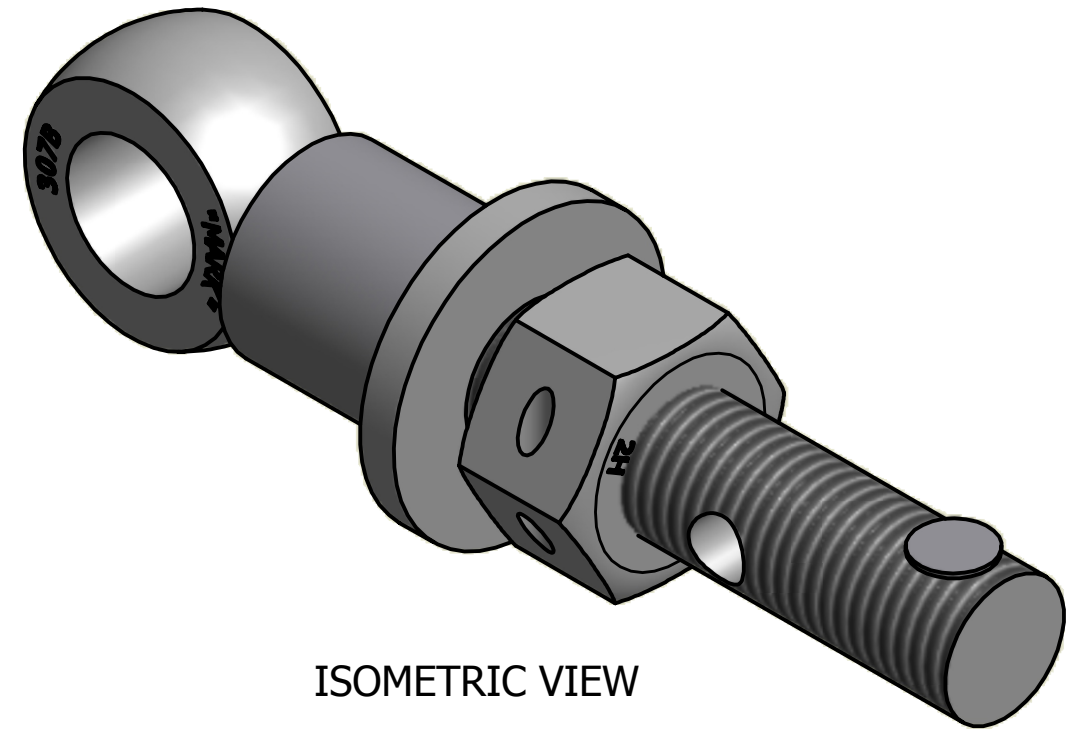
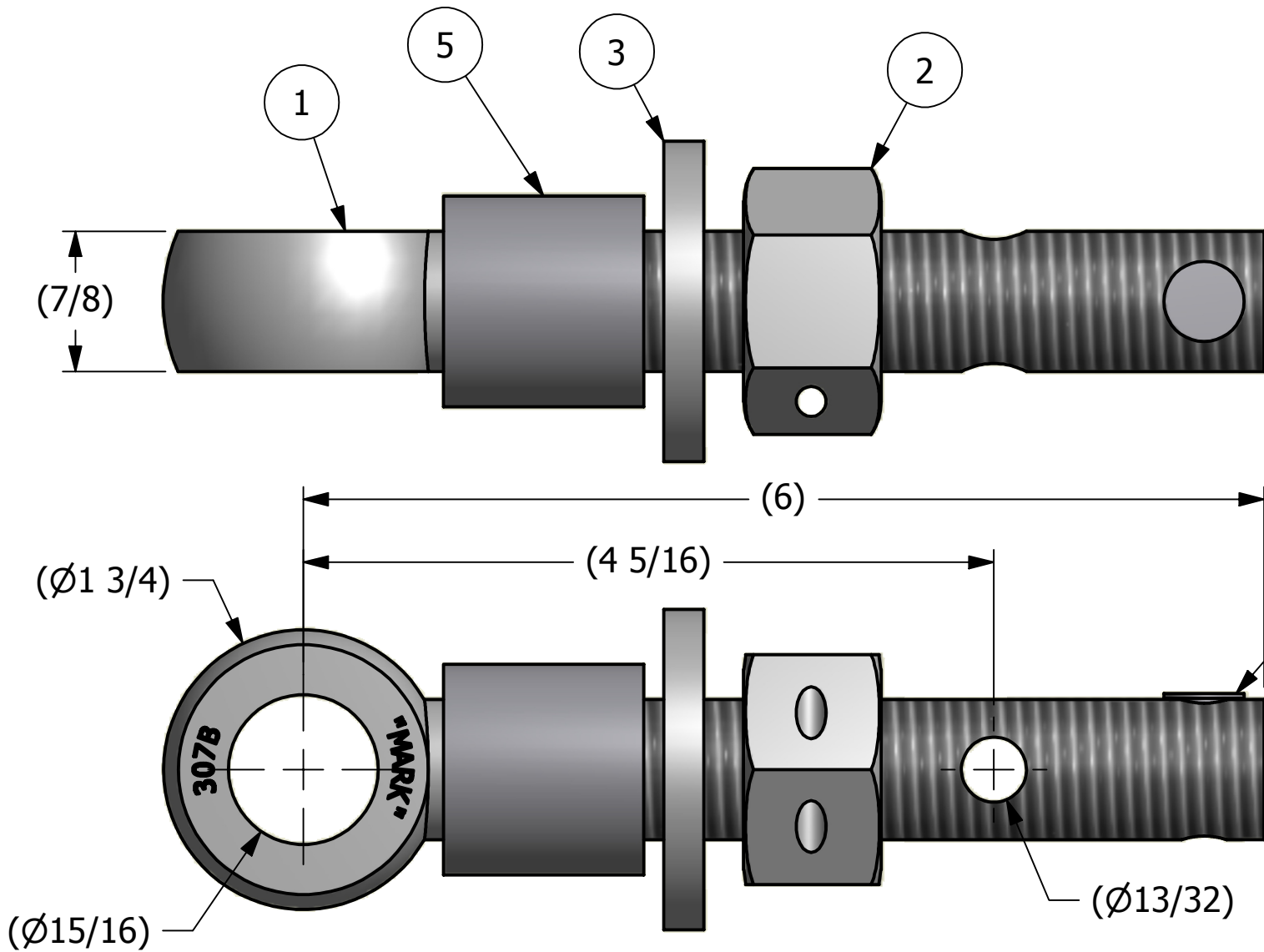


NO.	PART NAME	PART#	REQ'D	MATERIAL
1	EYEBOLT 7/8"X6"	EBR786HR	1	CARBON STEEL
2	HEAVY HEX NUT 7/8"-9	N78XH	1	CARBON STEEL
3	FLAT WASHER 7/8"	WASH78T	1	CARBON STEEL
4	HUCK RIVET 1/4"X13/16"	A16204	1	304 SS
5	SAFETY COLLAR 1 1/4"	COLLAR1S6	1	316 SS



A	BG	10-11-12	NEW PART ADDED TO THE NETWORK
REV	BY	DATE	DESCRIPTION
SALCO PRODUCTS, INC.			
PART NAME: EYEBOLT ASSEMBLY 7/8"X6"			
MATERIAL: SEE BOM			
PROJECT #: 120830FR		SHEET #: 1 OF 1	SCALE: 1:1
DRAWING #: B34155		PART #: EB786XHHAC	

UNLESS OTHERWISE SPECIFIED DIMENSIONAL TOLERANCES		DRAWN BY:	JJK
FRACTIONAL:	±1/16	CHECKED BY:	TAJ
X.XX:	±.03	PROTOTYPE BY:	JJK
X.XXX:	±.015	PROTOTYPE DATE:	3/8/2001
ANGULAR:	±1°	APPROVED FOR PRODUCTION BY:	TAJ
THIS PRINT, PROPERTY OF SALCO PRODUCTS INC., CONTAINS PROPRIETARY INFORMATION AND MUST NOT BE COPIED, REPRODUCED, OR USED DETRIMENTALLY TO OUR INTEREST.		PRODUCTION DATE:	10/11/2012
THIRD ANGLE PROJECTION			

