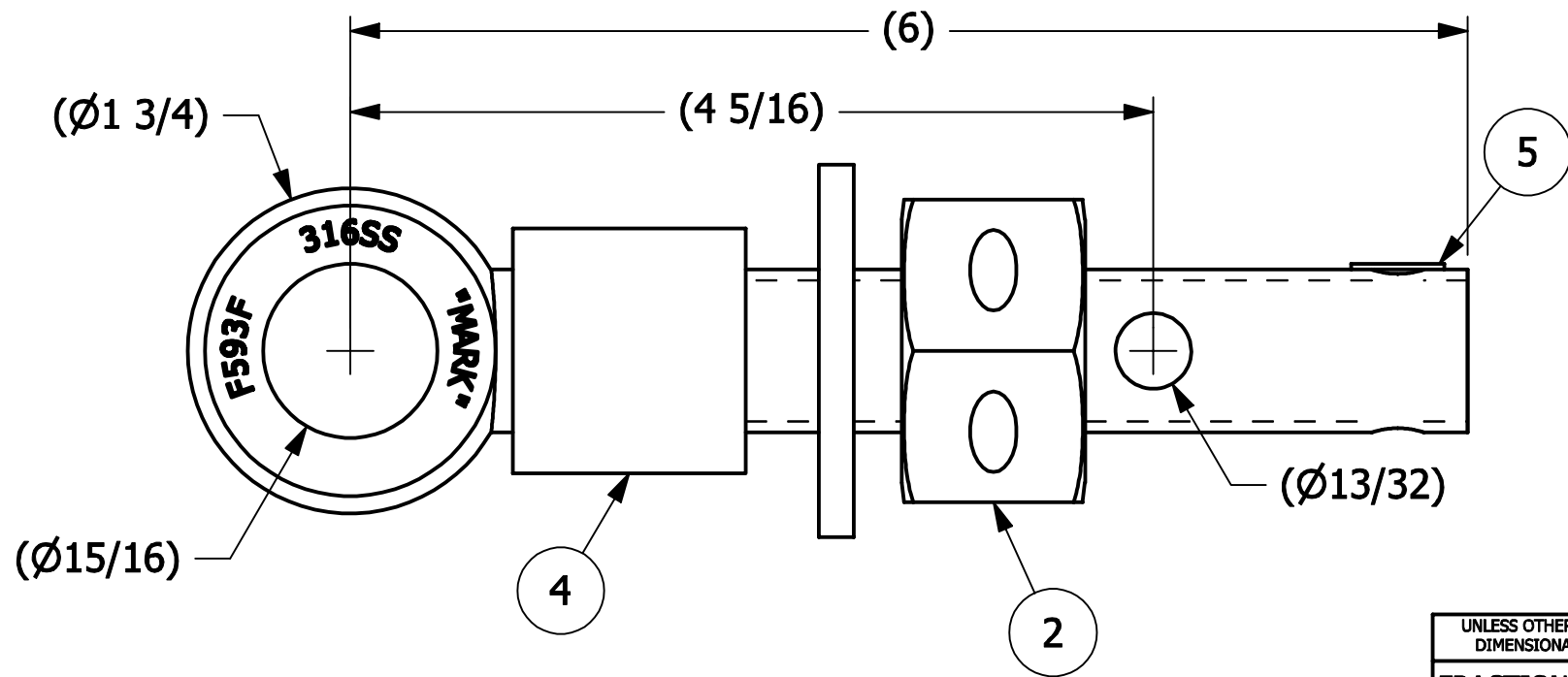
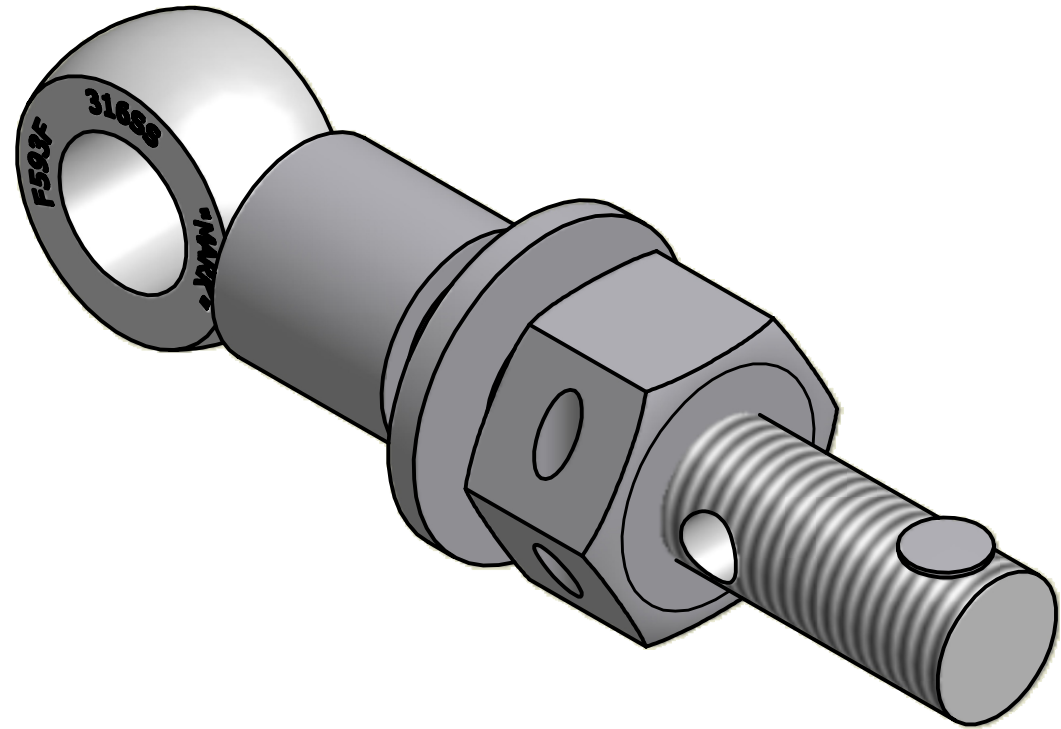
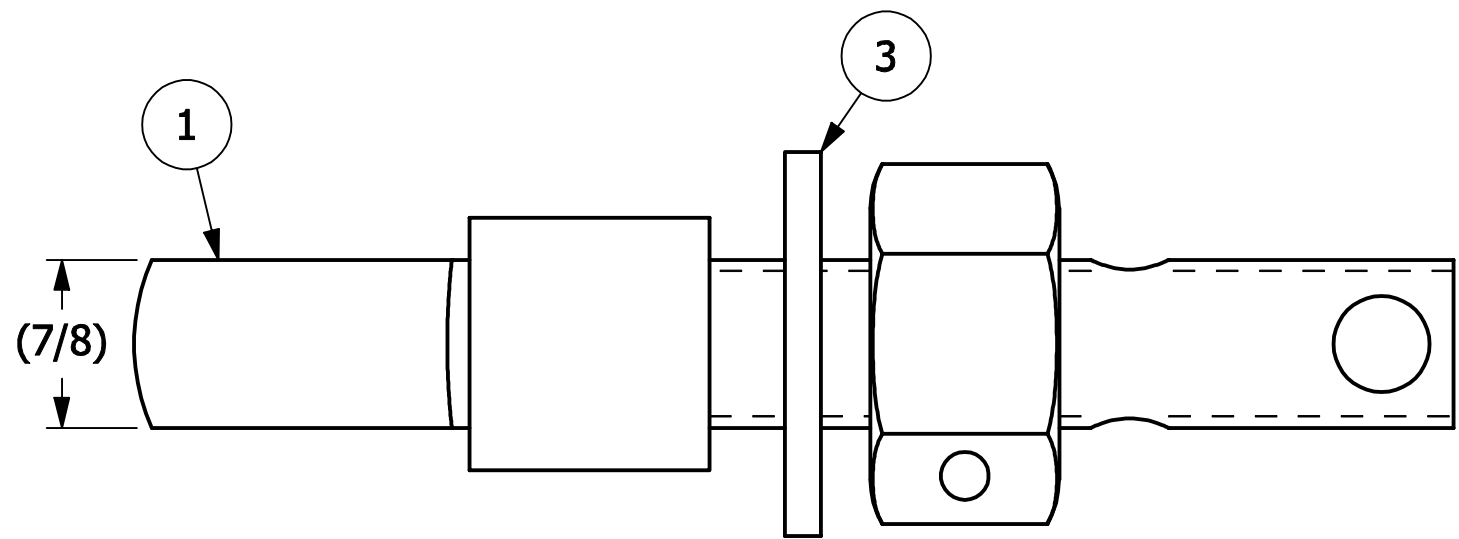


NO.	PART NAME	PART#	REQ'D	MATERIAL
1	EYEBOLT 7/8"X6"	EBR786HS6R	1	316 SS
2	HEAVY HEX NUT 7/8"-9	N78XS6H	1	416 SS
3	FLAT WASHER 7/8" SAE	WASH78S6	1	316 SS
4	SAFETY COLLAR 1 1/4"	COLLAR1S6	1	316 SS
5	HUCK RIVET 1/4"X13/16"	A16204	1	316 SS



REV	BY	DATE	DESCRIPTION
B	BRG	6-11-08	REPLACED COLLAR1S4 W/COLLAR1S6
A	CHL	11-17-03	REPLACED N78XHS6 WITH N78XS6H

UNLESS OTHERWISE SPECIFIED DIMENSIONAL TOLERANCES	DRAWN BY:	CHL
FRACTIONAL: $\pm 1/16$	CHECKED BY:	ACC
X.XX: $\pm .03$	PROTOTYPE BY:	CHL
X.XXX: $\pm .015$	PROTOTYPE DATE:	3/14/2002
ANGULAR: $\pm 1^\circ$	APPROVED FOR PRODUCTION BY:	ACC
THIS PRINT, PROPERTY OF SALCO PRODUCTS INC., CONTAINS PROPRIETARY INFORMATION AND MUST NOT BE COPIED, REPRODUCED, OR USED DETRIMENTALLY TO OUR INTEREST.	PRODUCTION DATE:	3/14/2002
THIRD ANGLE PROJECTION		

SALCO PRODUCTS, INC.

PART NAME: **EYEBOLT ASSEMBLY 7/8"X6"**

MATERIAL: **SEE BOM**

PROJECT #: SHEET #: **1 OF 1** SCALE: **1:1**

DRAWING #: **B16798** PART #: **EB786XHHAS6C**