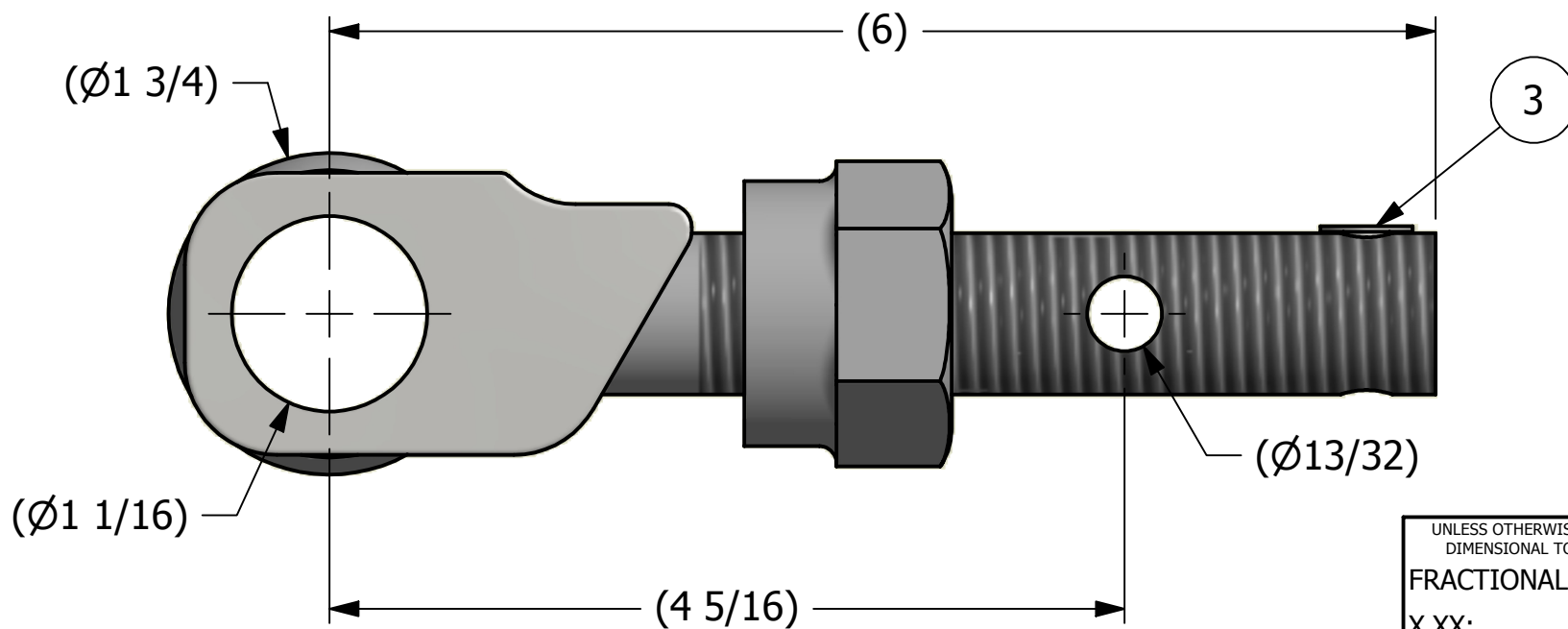
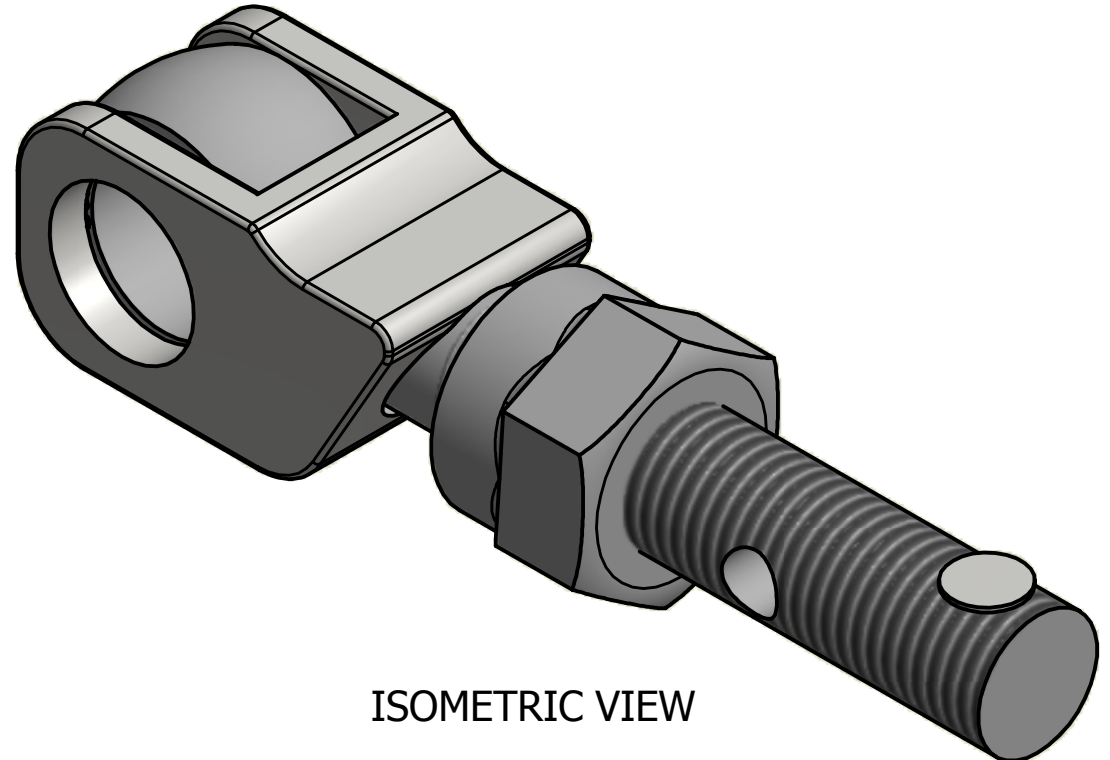
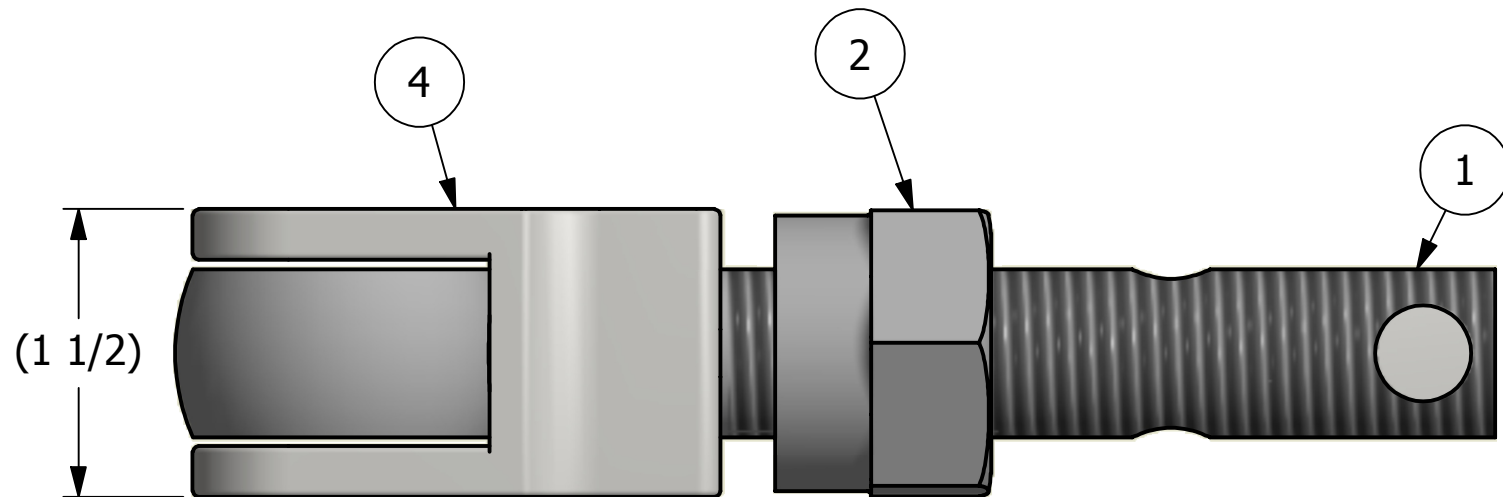


NO.	PART NAME	PART#	REQ'D	MATERIAL
1	EYEBOLT 7/8"X6"	EBR786HR3	1	CARBON STEEL
2	HEAVY HEX FERRULE NUT 7/8"-9	N78XSN	1	CARBON STEEL
3	HUCK RIVET 1/4"X13/16"	A16204	1	304 SS
4	SAFETY CATCH 2 3/4"	DEB275SC2	1	316 SS



A	GS	7-15-13	DRAWING RELEASED FOR PRODUCTION
REV	BY	DATE	DESCRIPTION



PART NAME: EYEBOLT ASSEMBLY 7/8"X6"			
MATERIAL: SEE BOM			
PROJECT #:	130712FR	SHEET #:	1 OF 1
SCALE:	1:1		
DRAWING #:	B36726	PART #:	EB786XSNHA2SC2

UNLESS OTHERWISE SPECIFIED DIMENSIONAL TOLERANCES FRACTIONAL: ±1/16 X.XX: ±.03 X.XXX: ±.015 ANGULAR: ±1° DEBURR ALL SHARP EDGES. ALL MACHINED SURFACES TO HAVE A 125 RMS FINISH UNLESS NOTED OTHERWISE. THIRD ANGLE PROJECTION	DRAWN BY:	GS
	CHECKED BY:	CHL
	PROTOTYPE BY:	GS
	PROTOTYPE DATE:	7/15/2013
	APPROVED FOR PRODUCTION BY:	CHL
	PRODUCTION DATE:	7/15/2013

THIS PRINT, PROPERTY OF SALCO PRODUCTS INC., CONTAINS PROPRIETARY INFORMATION AND MUST NOT BE COPIED, REPRODUCED, OR USED DETRIMENTALLY TO OUR INTEREST.