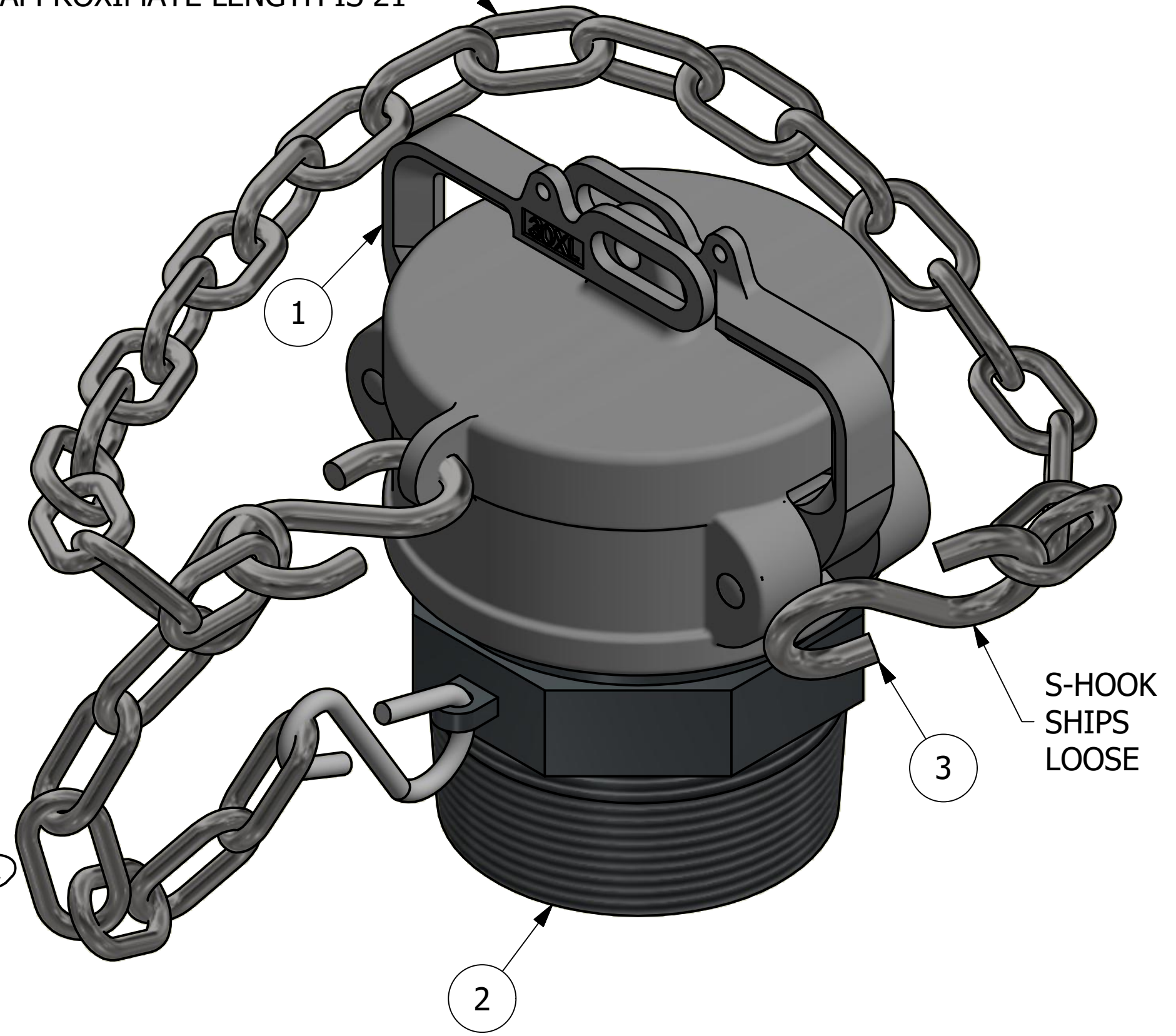
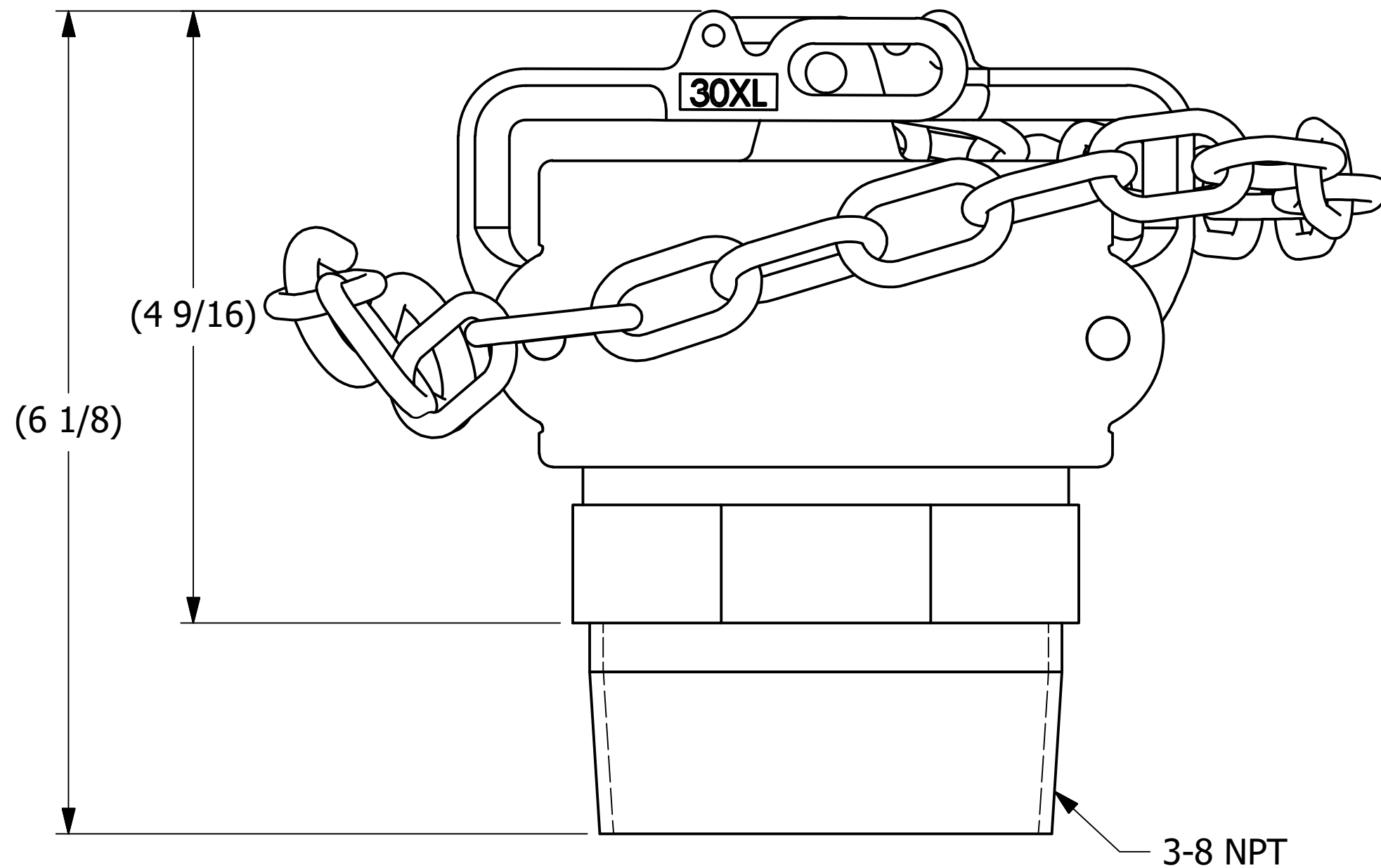


NOTE:
GASKET MATERIAL IS PEROXIDE-CURED BLACK EPDM.

NO.	PART NAME	PART#	REQ'D	MATERIAL
1	DUST CAP 3"	K30ICDC29A	1	DI
2	QUICK CONNECT ADAPTER 3"	K3IMPA	1	DI
3	S-HOOK 1/4"X2 1/2"	SC25SH	1	CS Z/P

21 LINKS 3/16" CS Z/P CHAIN
APPROXIMATE LENGTH IS 21"



REV	BY	DATE	DESCRIPTION
C	CHL	7/28/21	UPDATED VIEW FOR K30ICDC29A
B	RJP	6/12/14	UPDATED K30ICDC29A DESIGN
A	GS	4/15/13	DRAWING RELEASED FOR PRODUCTION

UNLESS OTHERWISE SPECIFIED DIMENSIONAL TOLERANCES FRACTIONAL: $\pm 1/16$ X.XX: $\pm .03$ X.XXX: $\pm .015$ ANGLE: $\pm 1^\circ$ DEBURR ALL SHARP EDGES. ALL MACHINED SURFACES TO HAVE A 125 RMS FINISH UNLESS NOTED OTHERWISE	DRAWN BY: GS CHECKED BY: CHL PROTOTYPE DATE: 3/20/2013 APPROVED FOR PRODUCTION BY: CHL PRODUCTION DATE: 4/15/2013 SIZE: C DRAWING #: 35765
--	--

SALCO PRODUCTS, INC.

PART NAME: **TOP FITTING ASSEMBLY 3" THREAD ON**

MATERIAL: **SEE BOM**

PROJECT #: **120905FR** SHEET #: **1 OF 1** SCALE: **1:1**

PART #: **K30ICUMP29A**