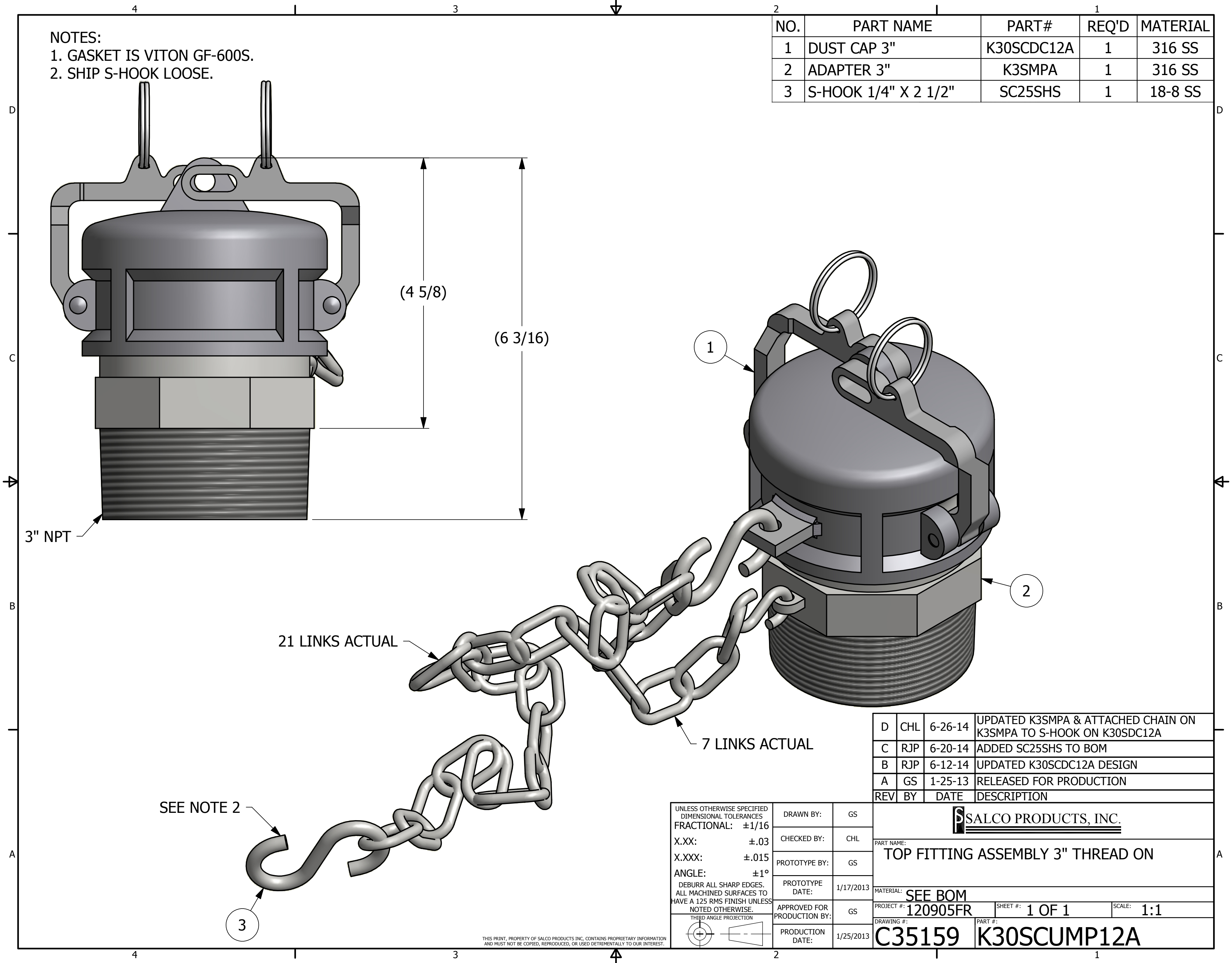


NOTES:
 1. GASKET IS VITON GF-600S.
 2. SHIP S-HOOK LOOSE.

NO.	PART NAME	PART#	REQ'D	MATERIAL
1	DUST CAP 3"	K30SCDC12A	1	316 SS
2	ADAPTER 3"	K3SMPA	1	316 SS
3	S-HOOK 1/4" X 2 1/2"	SC25SHS	1	18-8 SS



21 LINKS ACTUAL

7 LINKS ACTUAL

SEE NOTE 2

REV	BY	DATE	DESCRIPTION
D	CHL	6-26-14	UPDATED K3SMPA & ATTACHED CHAIN ON K3SMPA TO S-HOOK ON K30SDC12A
C	RJP	6-20-14	ADDED SC25SHS TO BOM
B	RJP	6-12-14	UPDATED K30SCDC12A DESIGN
A	GS	1-25-13	RELEASED FOR PRODUCTION

UNLESS OTHERWISE SPECIFIED DIMENSIONAL TOLERANCES FRACTIONAL: $\pm 1/16$ X.XX: $\pm .03$ X.XXX: $\pm .015$ ANGLE: $\pm 1^\circ$ DEBURR ALL SHARP EDGES. ALL MACHINED SURFACES TO HAVE A 125 RMS FINISH UNLESS NOTED OTHERWISE. THIRD ANGLE PROJECTION	DRAWN BY:	GS
	CHECKED BY:	CHL
	PROTOTYPE BY:	GS
	PROTOTYPE DATE:	1/17/2013
	APPROVED FOR PRODUCTION BY:	GS
	PRODUCTION DATE:	1/25/2013

SALCO PRODUCTS, INC.

PART NAME:
TOP FITTING ASSEMBLY 3" THREAD ON

MATERIAL: **SEE BOM**

PROJECT #: **120905FR** SHEET #: **1 OF 1** SCALE: **1:1**

DRAWING #: **C35159** PART #: **K30SCUMP12A**