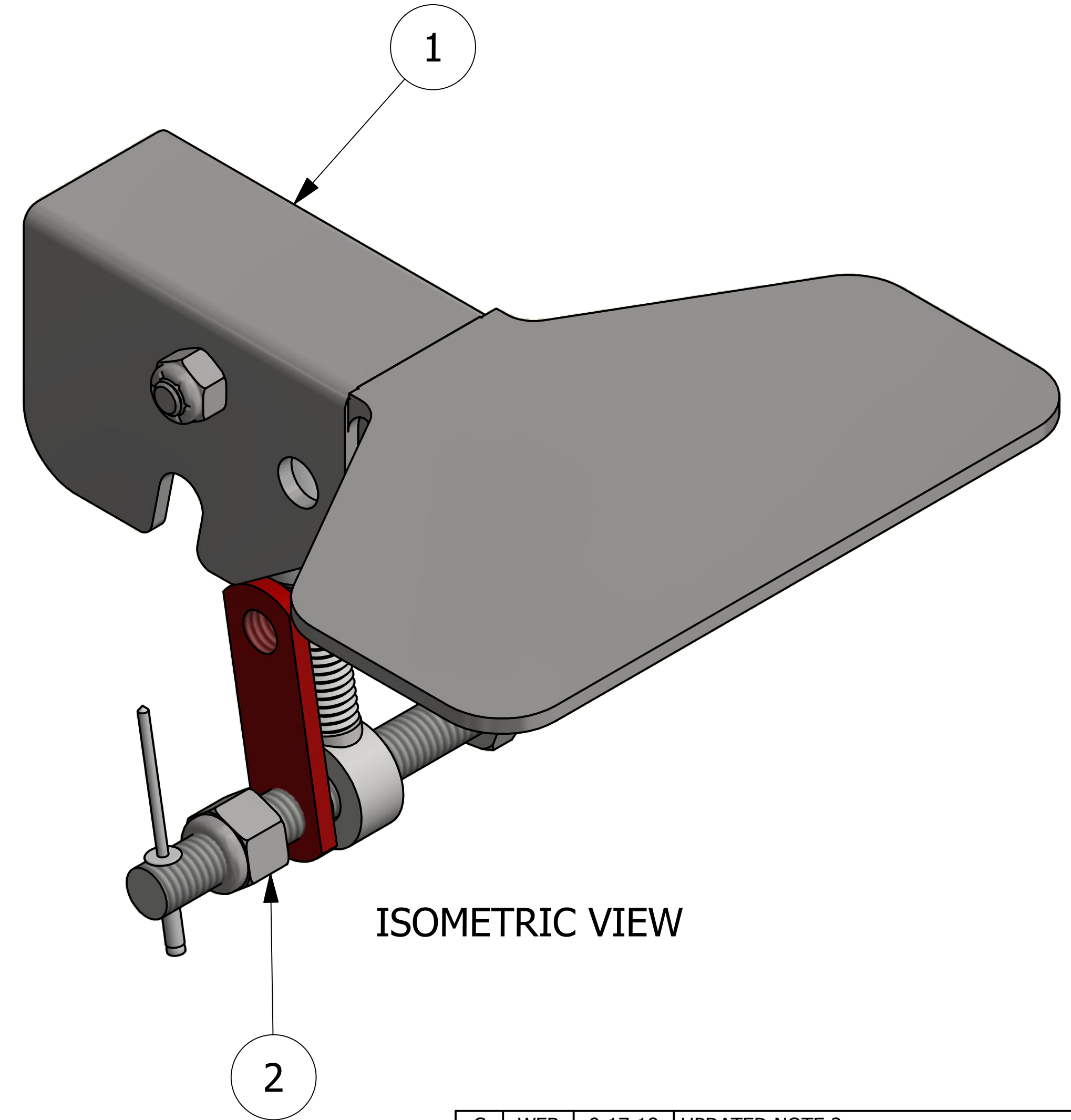
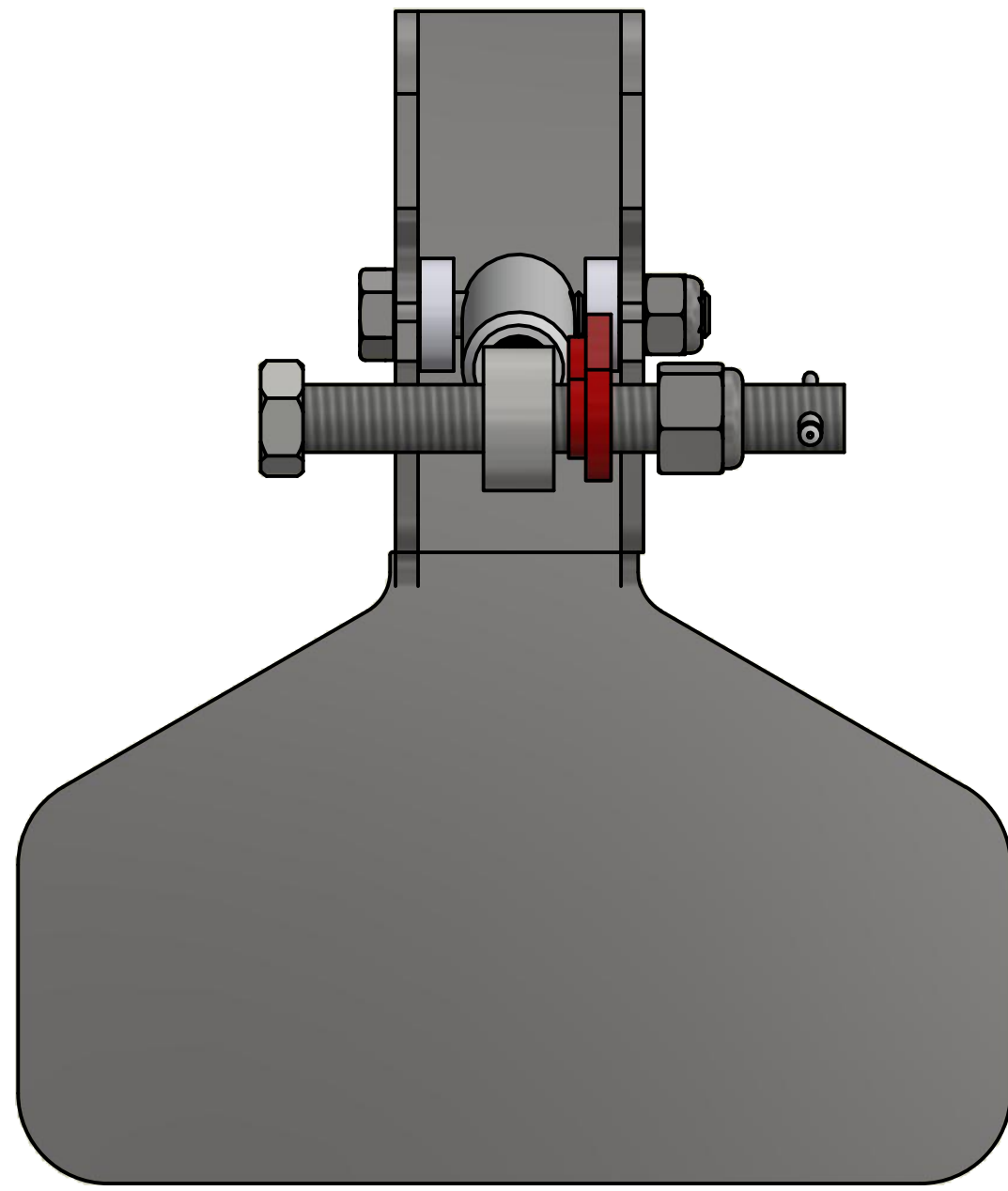
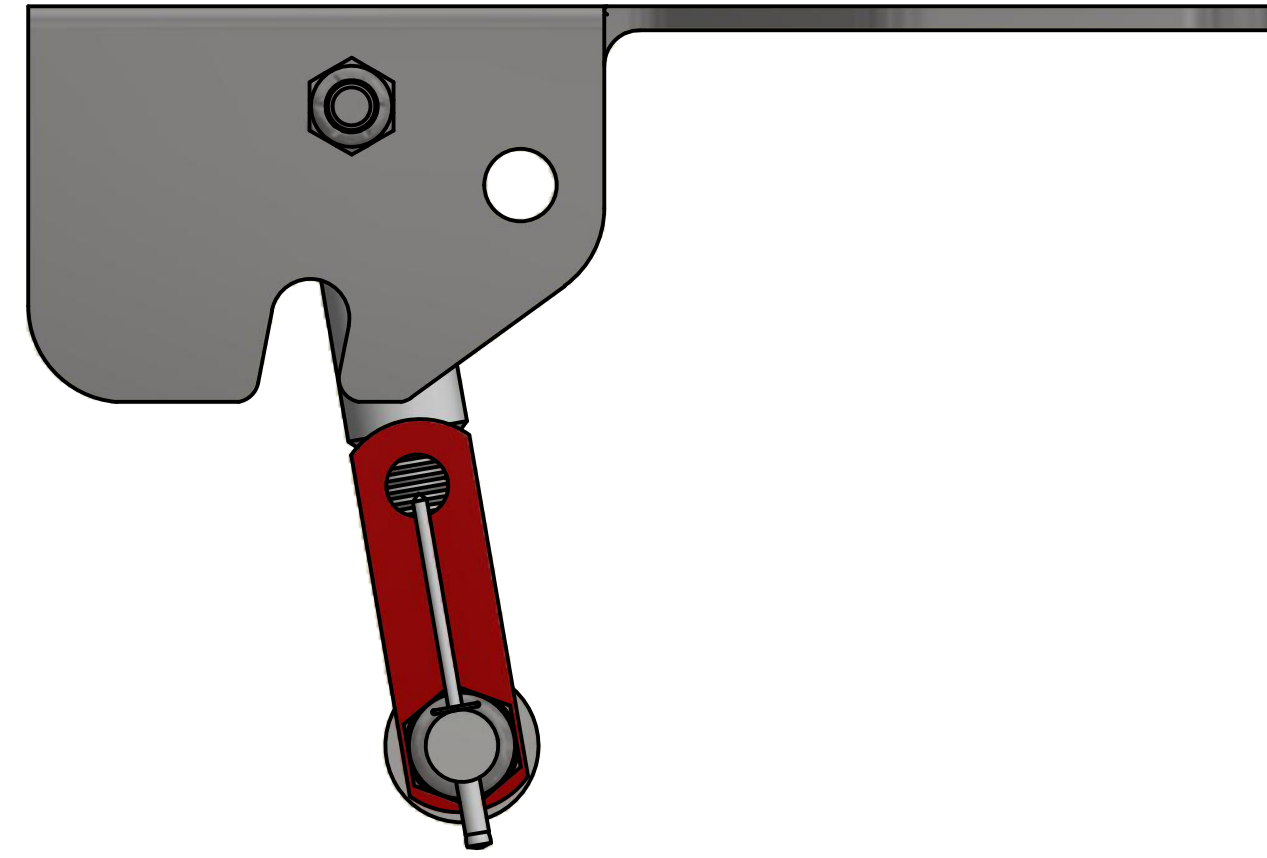
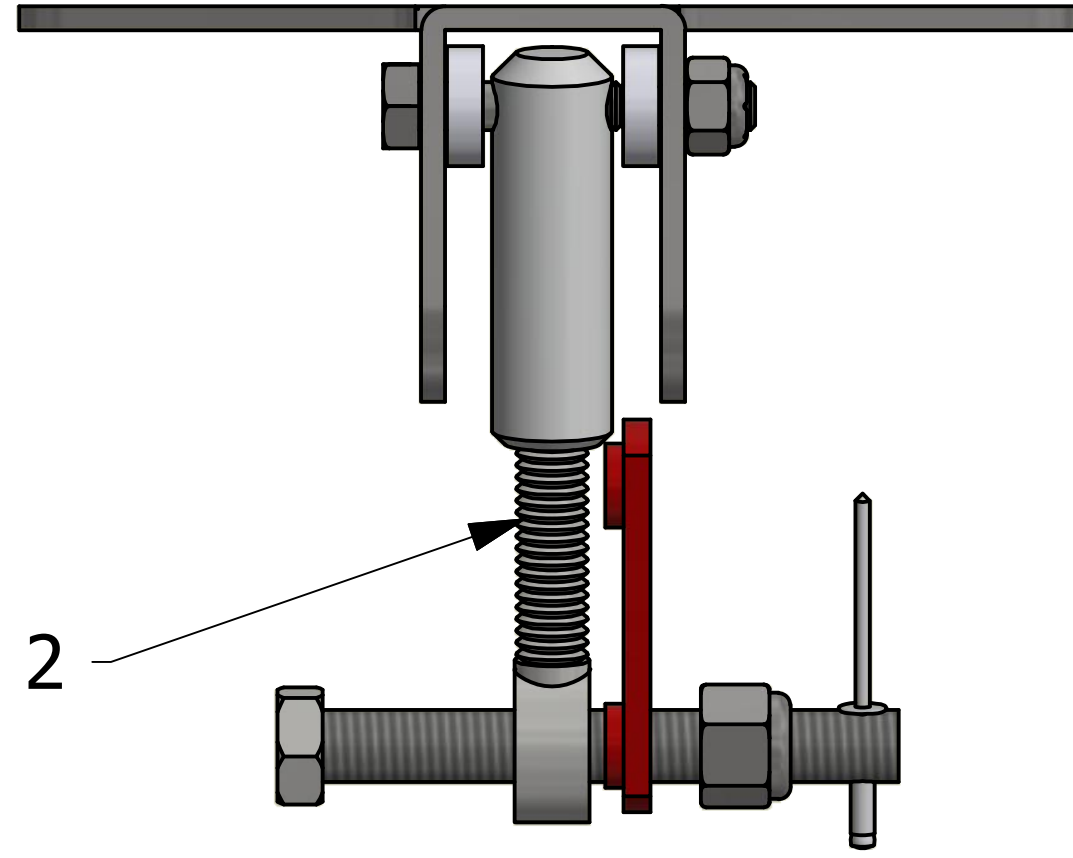


NO.	PART NAME	PART #	REQ'	MATERIAL
1	HATCH COVER LATCH	LAL20LP	1	SS
2	HATCH COVER LATCH EYEBOLT ASSEMBLY	TE20ATE	1	CS/SS/AL

SEE NOTE 2



ISOMETRIC VIEW

- NOTES:
1. RIVETS ARE TO BE SHIPPED LOOSE.
 2. APPLY JET-LUBE WHITE KNIGHT ANTI-SEIZE DURING ASSEMBLY.

C	WEB	9-17-18	UPDATED NOTE 2
B	WEB	2-6-18	ADDED NOTES
A	JG	11-3-15	RELEASED FOR PRODUCTION
REV	BY	DATE	DESCRIPTION

UNLESS OTHERWISE SPECIFIED DIMENSIONAL TOLERANCES FRACTIONAL: $\pm 1/16$ X.XX: $\pm .015$ X.XXX: $\pm .005$ ANGULAR: $\pm 1^\circ$ DEBURR ALL SHARP EDGES. ALL MACHINED SURFACES TO HAVE A 125 RMS FINISH UNLESS NOTED OTHERWISE. THIRD ANGLE PROJECTION	DRAWN BY:	WEB
	CHECKED BY:	EJF
	PROTOTYPE BY:	WEB
	PROTOTYPE DATE:	8/28/2015
	APPROVED FOR PRODUCTION BY:	EJF
PRODUCTION DATE:	11/3/2015	

SALCO PRODUCTS, INC.		
PART NAME: HATCH COVER LATCH ASSEMBLY 20"		
MATERIAL: SEE BOM		
PROJECT #: R150805F1	SHEET #: 1 OF 1	SCALE: 2:1
DRAWING #: D42221	PART #: LAL20ATE	