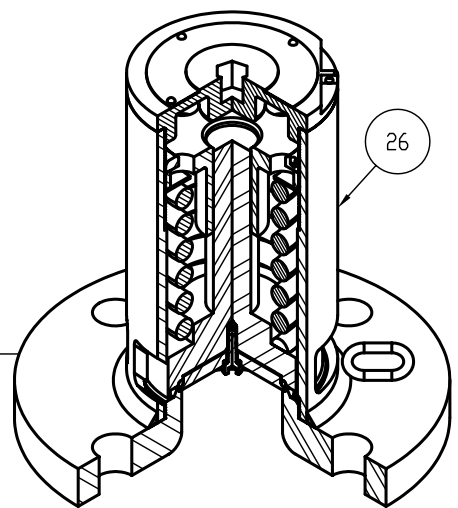
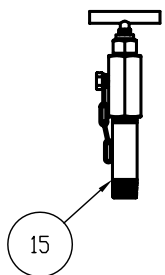
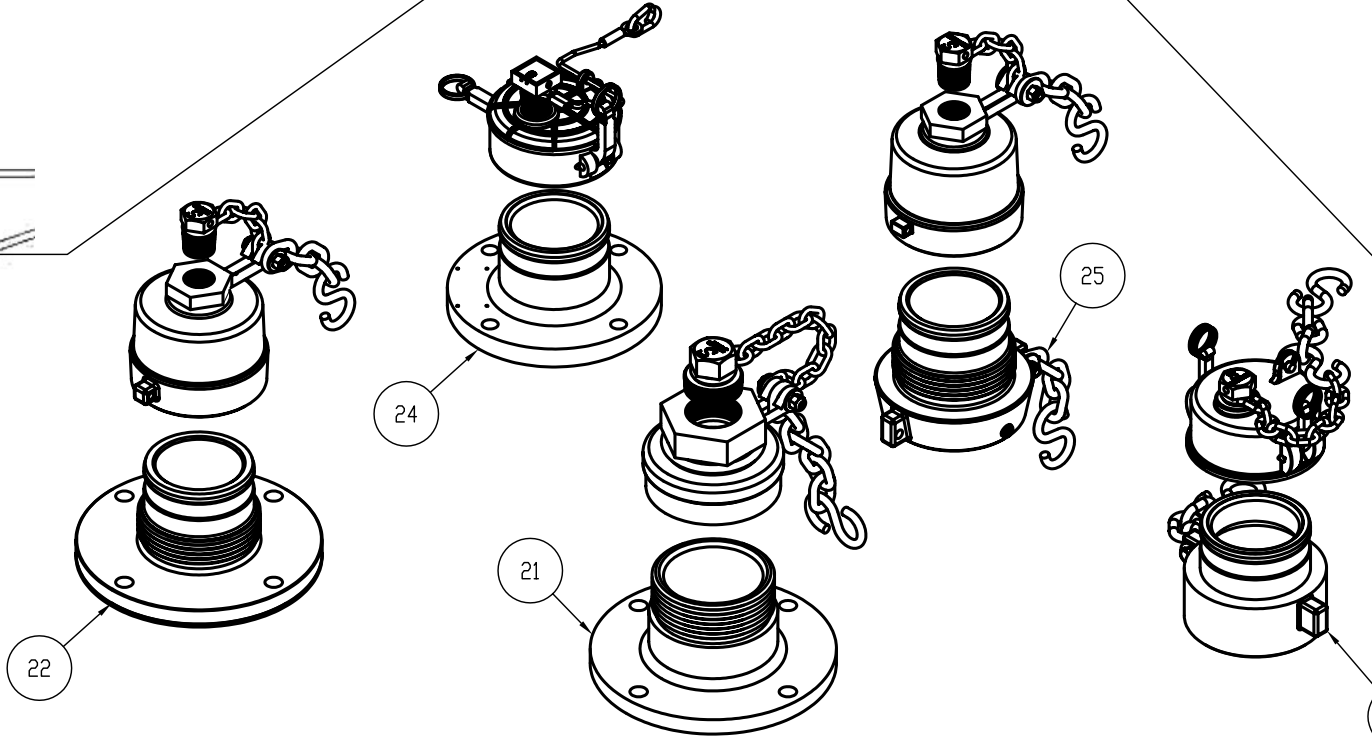
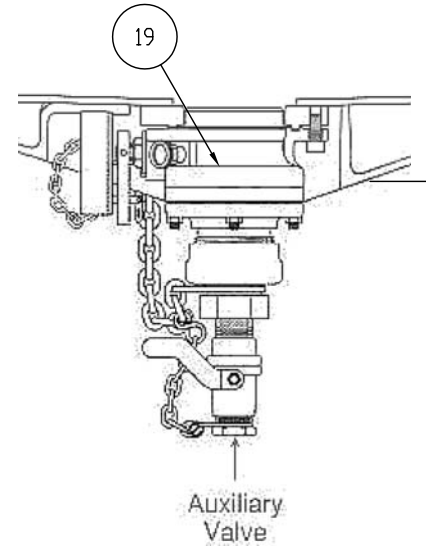
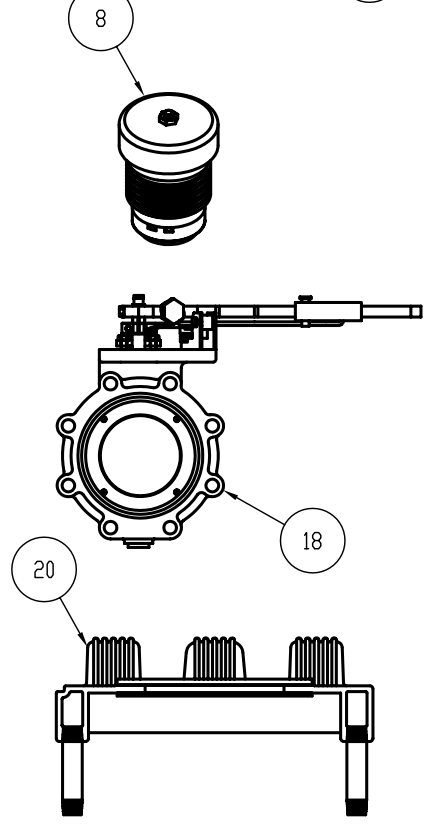
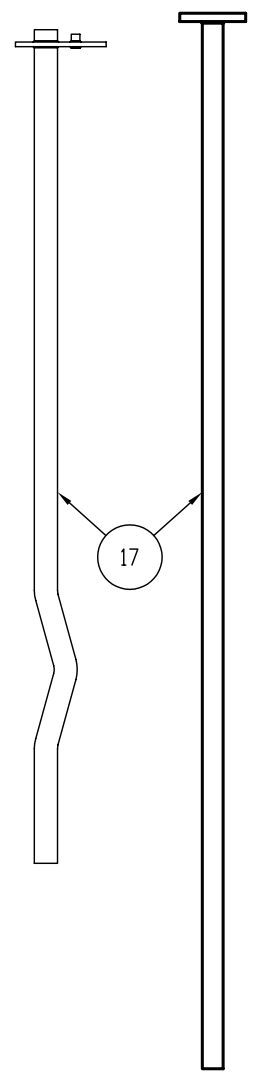
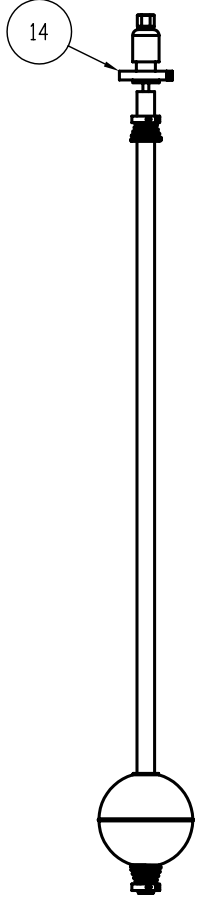
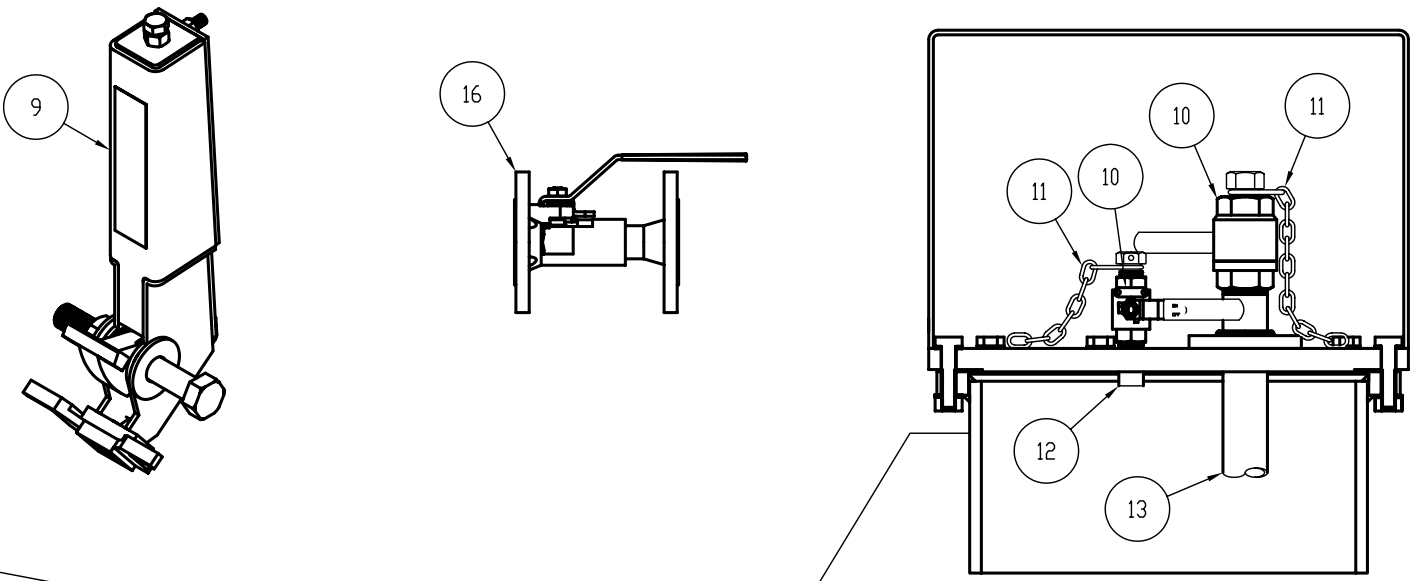
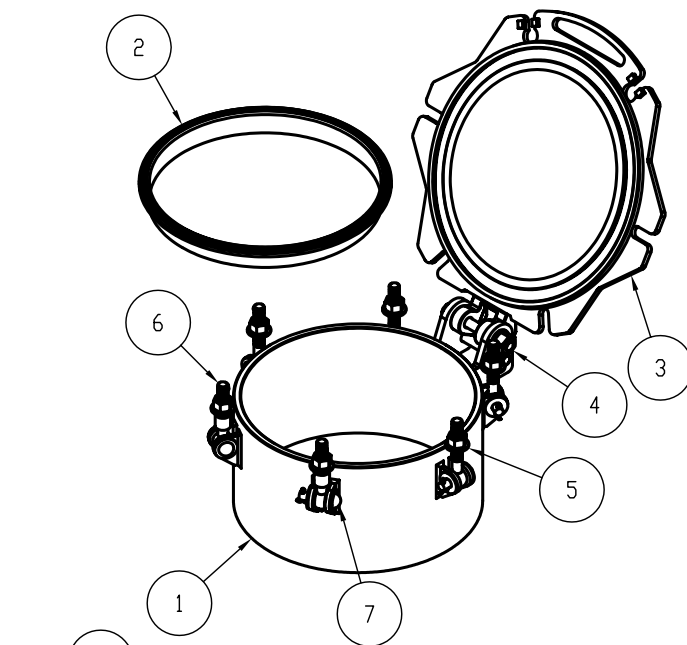


NO.	PART NAME
1	20" MANWAY NOZZLE
2	20" NOZZLE GASKET
3	20" MANWAY COVER
4	7/8" HINGE BOLT
5	7/8" EYEBOLT
6	7/8" SAFETY EYEBOLT
7	3/4" BUTTON HEAD RIVET
8	VACUUM RELIEF VALVE
9	SWIFT LIFT

# GENERAL PURPOSE TANK CAR VALVES AND FITTINGS

PART NAME	NO.
SCREW ON BALL VALVE	10
PLUG ASSEMBLY	11
1" NIPPLE	12
2" EDUCION TUBE	13
MAGNETIC GAUGE DEVICE	14
3/4" NEEDLE VALVE ASSEMBLY	15
FLANGED BALL VALVE	16
EDUCION TUBES	17



25	4" SCREW ON THREADED UNLOADING ASSEMBLY
24	4" KAMMED FLANGE ASSEMBLY WITH NYLON CAP
23	4" KAMMED SCREW ON UNLOADING ASSEMBLY
22	4" SCREW ON THREADED UNLOADING ASSEMBLY
21	4" THREADED STANDARD DOWNLEG
20	STEAM JACKET ASSEMBLY
19	BOTTOM OUTLET VALVE
18	BOTTOM OUTLET BUTTERFLY VALVE
NO.	PART NAME

FRA APPROVED REFLECTIVE MATERIAL	27
PRESSURE RELIEF VALVE	26
PART NAME	NO.

**Bottom Outlet Valves**

Manufacturer	Description	AAR Approval #	Salco Part Number
ARI	Bottom Outlet Ball Valve	E-021036	AR6U157700
ARI	Bottom Outlet Ball Valve	E-021036	AR6U157701
ARI	Bottom Outlet Ball Valve	E-041023	AR5U363100
ARI	Bottom Outlet Ball Valve	E-041023	AR5U363101
UTC McKenzie	Bottom Outlet Ball Valve 4"	E-027046	UT505271-01
Xomox	Bottom Outlet Butterfly Valve 6"	E-049006	XOSJV6-2-6-7-ST2-L
Salco Products	Butterfly Valve 6"	E-029003	WV6ST7R
Salco Products	Butterfly Valve 6"	E-029003	WV6ST7RA
ARI	Bottom Outlet Clapper Valve	E-031029	AR5U325300
ARI	Bottom Outlet Clapper Valve	E-031029	AR5U325301
ARI	Bottom Outlet Plug Valve 6"	E-961033	AR6G794600
ARI	Bottom Outlet Plug Valve 6"	E-961033	AR6G794601
ARI	Bottom Outlet Plug Valve 6"	E-961032	AR6H438300
ARI	Bottom Outlet Plug Valve 6"	E-961032	AR6H438301
ARI	Bottom Outlet Plug Valve 6"	E-961031	AR6H355900
ARI	Bottom Outlet Plug Valve 6"	E-961031	AR6H355903

**Safety Relief Valves**

Manufacturer	Description	AAR Approval	Salco Part #
ARI	Pressure Relief Valve 75 psi	SRD-041026	AR6K804800
ARI	Pressure Relief Valve 75 psi	SRD-041026	AR6K804801
ARI	Pressure Relief Valve 75 psi	SRD-041027	AR6K799100
ARI	Pressure Relief Valve 75 psi	SRD-041027	AR6K799101
ARI	Pressure Relief Valve 75 psi	SRD-041028	AR6U170600
ARI	Pressure Relief Valve 75 psi	SRD-041028	AR6K799101
ARI	Pressure Relief Valve 150 psi	PDR-031505	AR5W277900
ARI	Pressure Relief Valve 75 psi	SRD-941026	AR4U472200
ARI	Pressure Relief Valve 75 psi	SRD-941026	AR4U472201
Girard	Pressure Relief Valve 75 psi	PRD-019001-B	GQRR-407-75
Girard	Pressure Relief Valve 165 psi	PRD-019001-B	GQRR-407-165
SALCO	Pressure Relief Valve 75psi	Service trial	

**Manway Nozzle Parts**

Manufacturer	Description	AAR Approval #	Salco Part #
SALCO	20" Manway Nozzle	N/A	Call Salco
SALCO	20" Manway Cover	E-989070	Call Salco
SALCO	18" Manway Nozzle Gasket	N/A	Call Salco
SALCO	20" Manway Nozzle Gasket	N/A	Call Salco
SALCO	24" Manway Nozzle Gasket	N/A	Call Salco
SALCO	Hinge Bolt	N/A	Call Salco
SALCO	3/4" Eyebolt Assemblies	N/A	Call Salco
SALCO	7/8" Eyebolt Assemblies	N/A	Call Salco
SALCO	1" Eyebolt Assemblies	N/A	Call Salco
SALCO	3/4" Button Head Rivet	N/A	Call Salco
SALCO	7/8" Button Head Rivet	N/A	Call Salco
SALCO	Swift Lift	N/A	Call Salco
SALCO	Vacuum Relief Valve	E-999001	VVC15S41XXA*
SALCO	Vacuum Relief Valve	E-999001	VVC25S41XXA*
SALCO	Vacuum Relief Valve	E-999001	VVN15S41XXA*
SALCO	Vacuum Relief Valve	E-999001	VVN25S41XXA*
SALCO	3/4" Air Inlet	N/A	Call Salco

\* XX = The gasket material number.  
For more information please call Salco

**Liquid and Vapor Valves**

Manufacturer	Description	AAR Approval #	Salco Part #
Conbraco	Ball Valve 1" Flanged x Threaded	E-009007	CA87A-385-A0
Conbraco	Ball Valve 1" Threaded	E-989054	CA96-105
Conbraco	Ball Valve 1" Threaded	E-999032	CA73A-105-52
Conbraco	Ball Valve 1" Threaded	E-989051	CA76-105-M2
Conbraco	Ball Valve 1" Threaded	E-009002	CA76F-105-52
Conbraco	Ball Valve 1" Threaded	E-009003	CA87A-395-A0
Watts Regulator	Ball Valve 1" Threaded	E-949003	WR0548032
Watts Regulator	Ball Valve 1" Threaded	E-949003	WR0548026
SVF Flow Control	Ball Valve 1" Threaded	E-979020	1BWEV6
Conbraco	Ball Valve 2 1/2" Flanged	E-009016	CA87A-209-01
Conbraco	Ball Valve 2 1/2" Flanged	E-009016	CA88A-209-01
ITT Industries	Ball Valve 2" Flanged	E-039028	ITT2-1059-HD2
ITT Industries	Ball Valve 2" Flanged	E-039028	ITT2-BV1100
ITT Industries	Ball Valve 2" Flanged	E-039028	ITT2-KNA1100
ITT Industries	Ball Valve 2" Flanged	E-039028	ITT2-KNA1100SS
Xomox	Ball Valve 2" Flanged	E-029015	XO93B432L
Xomox	Ball Valve 2" Flanged	E-029016	XO93B437L
Conbraco	Ball Valve 2" Flanged	E-009015	CA87A-108-01
Conbraco	Ball Valve 2" Flanged	E-989052	CA87A-108-24
Conbraco	Ball Valve 2" Flanged	E-009016	CA87A-208-01
Conbraco	Ball Valve 2" Flanged	E-009015	CA88A-108-01
Conbraco	Ball Valve 2" Flanged	E-989052	CA88A-108-24
Conbraco	Ball Valve 2" Flanged	E-989052	CA88A-148-24
Conbraco	Ball Valve 2" Flanged	E-009016	CA88A-208-01
KF Contromatics	Ball Valve 2" Flanged	E-939005	WA2501-212A-2
Conbraco	Ball Valve 2" Flanged x Threaded	E-009008	CA87A-388-A0
Conbraco	Ball Valve 2" Flanged x Threaded	E-009008	CA87A-388-A0
Conbraco	Ball Valve 2" Threaded	E-999032	CA73A-108-52
Conbraco	Ball Valve 2" Threaded	E-989051	CA76-108-M2

**Fitting Plate Parts**

Manufacturer	Description	AAR Approval #	Salco Part #
SALCO	Magnetic Gauge Device	E-999018	MGD1000
SALCO	Eduction Tubes	N/A	Call Salco
SALCO	Pipe Plug Assemblies	N/A	Call Salco
SALCO	2" Pipe	N/A	Call Salco
SALCO	1" Nipple	N/A	Call Salco
SALCO	3/4" Needle Valve	N/A	Call Salco

N/A = Not Applicable

**Fasteners:**

All size fasteners are available upon request.  
Teflon coated fasteners are also available.  
Call your SALCO Representative for details.

Manufacturer	Description	AAR Approval #	Salco Part #
Conbraco	Ball Valve 2" Threaded	E-009002	CA76F-108-52
Conbraco	Ball Valve 2" Threaded	E-009004	CA87A-398-A0
Conbraco	Ball Valve 2" Threaded	E-989054	CA96-108
Watts Regulator	Ball Valve 2" Threaded	E-949003	WR0548029
Watts Regulator	Ball Valve 2" Threaded	E-949003	WR0548035
SVF Flow Control	Ball Valve 2" Threaded	E-979020	2BWEV6
ITT Industries	Ball Valve 3" Flanged	E-039028	ITT3-KNA1100
ITT Industries	Ball Valve 3" Flanged	E-039028	ITT3-BV1100
ITT Industries	Ball Valve 3" Flanged	PENDING	ITT3-1059-HD2
Xomox	Ball Valve 3" Flanged	E-029016	XO93B43BL
Xomox	Ball Valve 3" Flanged	E-029015	XO93B433L
Conbraco	Ball Valve 3" Flanged	E-009016	CA87A-100-01
Conbraco	Ball Valve 3" Flanged	E-989053	CA87A-100-24
Conbraco	Ball Valve 3" Flanged	E-009016	CA88A-100-01
Conbraco	Ball Valve 3" Flanged	E-989053	CA88A-100-24
Conbraco	Ball Valve 3" Flanged	E-989053	CA88A-140-24
Conbraco	Ball Valve 3" Flanged	E-009016	CA87A-200-01
Conbraco	Ball Valve 3" Flanged	E-009016	CA87A-200-24
Conbraco	Ball Valve 3" Flanged	E-009016	CA88A-200-01
KF Contromatics	Ball Valve 3" Flanged	E-939005	WA2501-212A-3
UTC McKenzie	Ball Valve 3" Flanged	E-897079	UT096180-05
Conbraco	Ball Valve 3" Flanged x Threaded	E-009009	CA87A-380-A0
Conbraco	Ball Valve 3" Threaded	E-989051	CA76-100-M2
Conbraco	Ball Valve 3" Threaded	E-989051	CA89-100-M2
Watts Regulator	Ball Valve 3" Threaded	E-949003	WR548023
SVF Flow Control	Ball Valve 3" Threaded	E-979020	3BWEV6
Xomox	Plug Valve 3" Flanged	E-969031	XO9RB711L1
Flowserve	Plug Valve 3" Flanged	E-999017	DURT-41-3A
Flowserve	Plug Valve 3/4" Threaded	E-969014	DUR750
Flowserve	Plug Valve 4" Flanged	E-999017	DURT-41-4A

**Bottom Connections**

Manufacturer	Description	AAR Approval #	Salco Part #
SALCO	4" SCREW ON THREADED UNLOADING ASSEMBLY	E-039015	Call Salco
SALCO	4" KAMMED FLANGE ASSEMBLY WITH NYLON CAP	E-039015	Call Salco
SALCO	4" KAMMED SCREW ON UNLOADING ASSEMBLY	E-039015	Call Salco
SALCO	4" SCREW ON THREADED UNLOADING ASSEMBLY	E-039015	Call Salco
SALCO	Steam Jacket Assembly	N/A	Call Salco

**Gaskets:**

SALCO offers a full line of gaskets and gasket materials  
Call your SALCO Representative for details.

**DURLON® Gaskets: Typical Tankcar Torque Values<sup>1</sup>**

Component	Material	Style or bolt dia.	Gasket Material/Dimensions			Torque (ft-lbs)	
			Thk.	OD	ID	Dry	Lubricated
Manway Cover	Durlon 9000 or Durlon 8500	UTC-1	1/8"	21-1/2"	19-7/16"	210	210
			AAR-1	1/8"	21-5/8"	19-1/2"	210
Angle Valve		-	1/8"	9-1/4"	7-3/8"	195	185-200
			1/8"	4-3/4"	4"	135	80-135
Safety Valve		-	1/8"	5-1/2"	3-5/8"	202	180
Bottom Outlet	Durlon 9000 Step* Durlon 9000/8500		1/8"	7-1/8"	4-1/2"	45	45
			1/8"	8-1/4"	7-1/4"	70	60-80
Pressure Cars							
Manway / Base (pressure) Plate	Durlon 9000	1-1/8"	1/8"	20-1/4"	19-1/4"	717	609
			1/8"	22-1/4"	21-1/4"	717	609
Angle Valve / Gauging Device	Durlon 9000	3/4"	1/8"	2-1/4"	1-1/2"	198/ 218 (C)	168/ 185 (C)
			1/8"	4"	3-1/4"	198/ 218 (C)	168/ 185 (C)
Safety	Durlon 9000	3/4"	1/8"	4-3/4"	4"	198/ 218 (C)	168/ 185 (C)
			1/8"	6-3/4"	6"	321/ 353 (C)	273/ 300 (C)
Gauging Device	Durlon 9000	3/4"	5/8"	2-1/4"	1-1/2"	110/ 121 (C)	94/ 103 (C)
			1/8"	2-1/4"	1-1/2"	198/ 218 (C)	168/ 185 (C)

<sup>1</sup> Number of bolts, bolt grade and lubrication can vary. \* Special configuration. (C) designates a torque using a crow's foot wrench.  
For torque worksheet by carset, contact GRI Technical Services at 713-467-1316 or tech@durlon.com.