

Tank Car Part - Product Update Notice

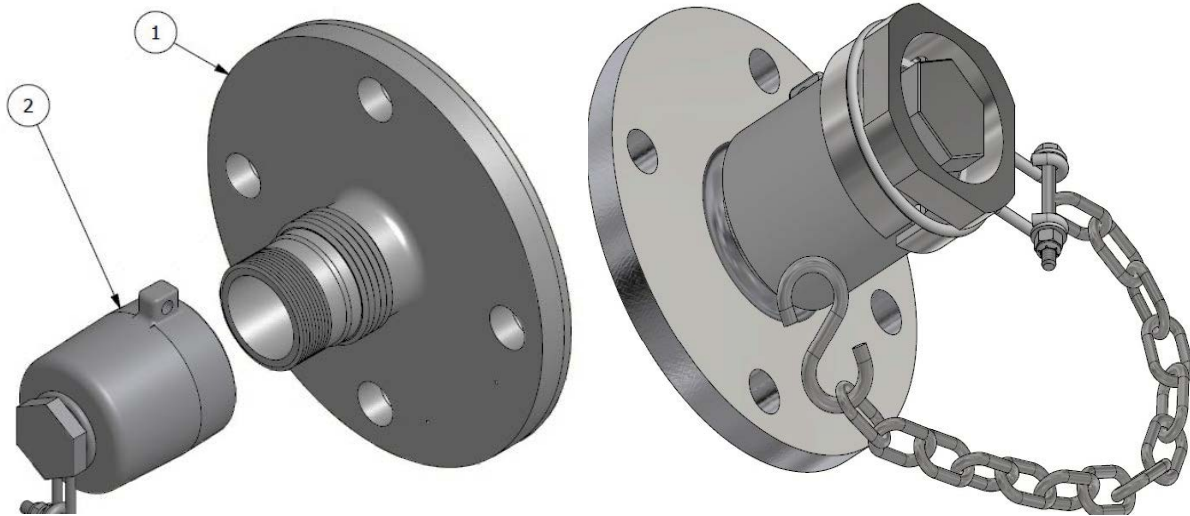
Subject: Gasket Style (Solid Disk to Ring Style) Revision to 2 and 3-Inch Top Fittings Cap Assemblies

Attention Tank Car Customers:

In late 2020, Salco products was notified by one of our customers that one of their 2-inch top fittings cap solid disk gaskets was being cut by the mating fitting. This condition is a result of years of tightening cycles without changing the gasket, as well as over tightening of the cap. Our original design gasket was a solid, disk style. This exact same condition is in our 3-inch top fittings caps which resulted in their revision.

The concern was if the center plug of that gasket was cut all the way around and came loose, it could get stuck in the eduction tube and potentially block the product flow path. In response to this concern Salco made a gasket change moving away from the solid disk style to a ring style. It should be noted that overtightening either style most likely will result in the gasket getting cut and lead to a potential NAR. Because we don't have the ability to send this notice to every past customer, we are posting notices such as this for our customers to review to determine if any of these product revisions affect the parts they purchase, or their inventory. We also will note on our quotes to check our web site **Product Update Notice Folder** to ensure you stay informed with any and all of our product revisions.

Examples of Salco's 2 and 3-inch top adapter assembly:



The 2-inch cap assembly **obsoleted solid disk gaskets** are:

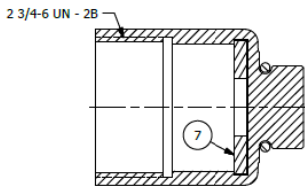
- TE2DDCG7
- TE2DDCG10
- TE2DDCG12
- TE2DDCG38
- TE2DDCG106
- TE2DDCG209 and
- TE2DDCG218

The 2-inch **ring style replacement gaskets** are:

- TE2DCG07
- TE2DCG12
- TE2DCG38
- TE2DCG53
- TE2DCGAS6

Revised Active 2-inch top fittings cap assemblies with ring style gasket:

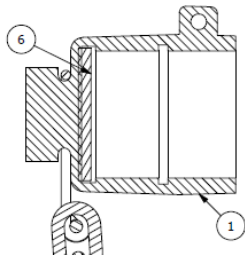
- Active cap assemblies:
- TE20SDDC07A
- TE20SDLPDC07A
- TE20SDLPDC38A
- TE20SDLPDC38A2
- TE20SDLPDC53A



Ring Style Gasket

Obsolete 2-inch cap assemblies with solid disk style:

- TE20SDDC106A
- TE20SDLDC106A
- TE20SDLPDC106A
- TE20SDLPDC0209A



Solid Disk Style Gasket

The 3-inch cap assembly **obsoleted solid disk gaskets** are:

Obsolete

TE3DDCG7 – solid disc

Revised Active

TE3DCG07 – ring style gasket



An **A.STUCKI** company

3-inch Top Fittings Assemblies

Obsolete

TE30SDDC7A (cap assembly)

TE3750SF07A (flange and cap assembly)

Active

TE30S416DLPDC07A (cap assembly)

TE30S416DCS75F7A (flange and cap assembly)

