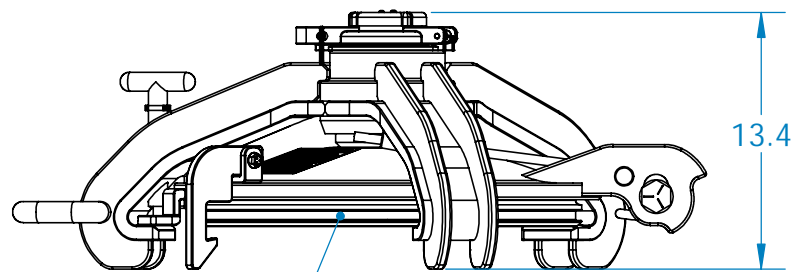
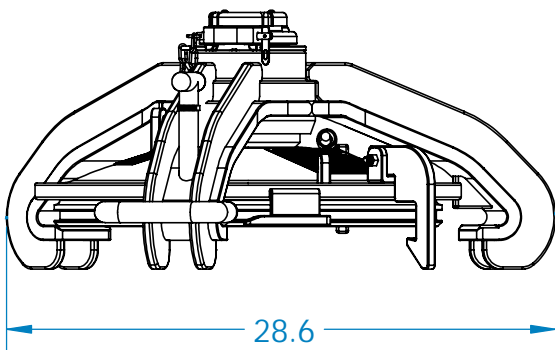
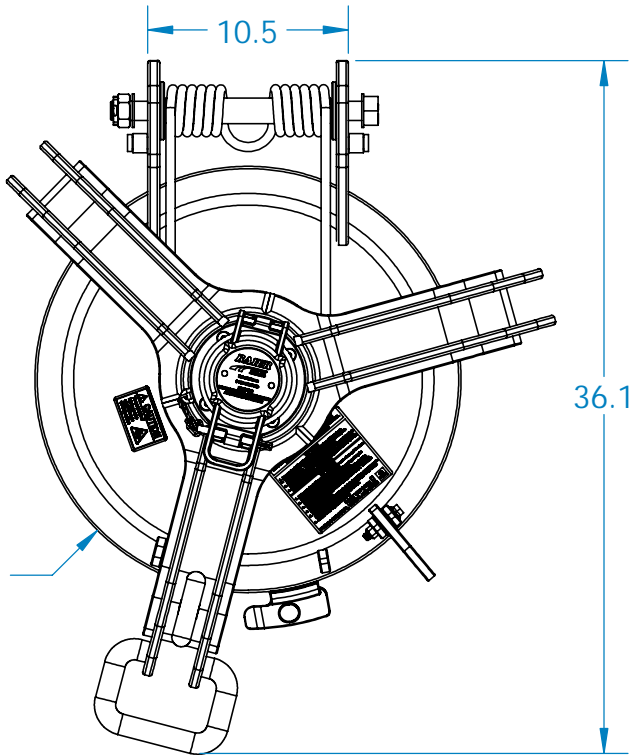
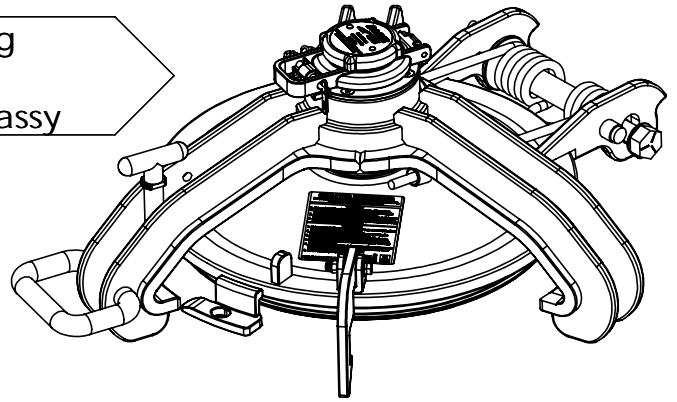


Baier Rail BTSB* Manway Cover Assy

(*BTSB: Baier Tankcar Single Bolt)

Part Number	BTSB
Approx. Weight	278 lbs

The BTSB cover is to be used with a Baier Rail O-ring (P/N 08867-704A)
An O-ring is included separately with each cover assy



Cover O-ring retainer:
Stainless Steel Construction

For installation instructions, scan the code or visit Baier Rail's website and go to DOCUMENTS

