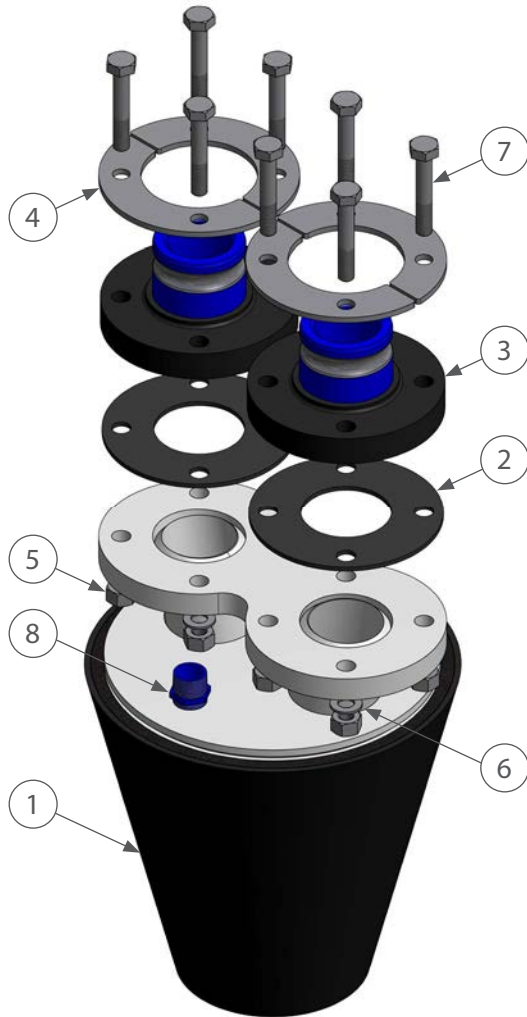


Loading Spouts

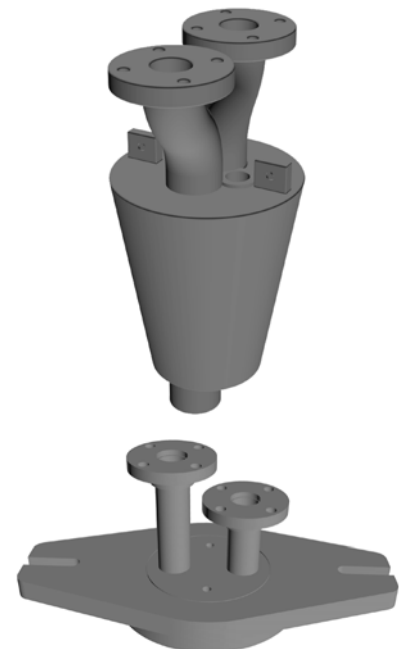
Closed System Loading Spouts



An all-plastic assembly that offers tank trailer operators a method of loading and unloading product in a closed loop.

Key Features/Benefits

- Keeps liquid and vapor control away from operators and out of the atmosphere.
- Corrosion resistant.
- Low maintenance and lightweight.
- Consists of a rotating outer plate which allows existing hatch/dome cover swing eyebolts to clamp the device to standard tank trailer manway application.
- Several configurations available depending on application.
- Gauging options available.



NO.	PART NAME	PART #	REQ	MATERIAL
1	LOADING SPOUT	HSCSL53PP	1	PP/EPDM
2	FLANGE GASKET 3" 150 LB	FG2315003	2	EPDM
3	QUICK CONNECT FLANGE 3"	HS3FTKRPY	2	SALCO PE/ 316 SS
4	SEGMENTED WASHER 6"	WS6S01	4	304 SS
5	HEAVY HEX NUT 5/8"-11	HHN77766	8	316 SS
6	FLAT WASHER 5/8" USS	WASH58SS	8	18-8 SS
7	HEAVY HEX BOLT 5/8"-11X3 1/2	HHB70317	8	18-8 SS
8	PIPE NIPPLE 1" CLOSE	BNIP100-SH	1	POLYPROPYLENE

Product and exhaust hoses are connected to the top fittings, and the whole flow assembly becomes a "closed" loop for product being transferred.