

# GENERAL PURPOSE TANK CAR

Components engineered to exceed the  
everyday demands of the railcar industry.







# Committed to Innovation

Salco Products will endeavor to continually enhance an environment of trust and confidence among customers, vendors, and employees through a commitment to innovation, quality products and services, and proficient response to the needs of the industries we serve.

## WHAT WE DO

Founded in 1983, Salco Products was born from the idea of replacing theft prone metal outlet caps with ones made from plastic at a quarter of the cost. From these humble beginnings, Salco went on to become an innovator in the railcar industry by developing the first vented hatch cover for plastic resin shippers.

Over time, Salco Products extended its offering to the freight transportation industry. From components for tank cars, hopper cars, tank trucks and plant process, to specialized technical consulting services, Salco truly is a single source for innovative solutions.

Today, Salco is proud to be a dependable products and service provider to its varied customer base that globally operates at chemical plant sites, freight car manufacturers, and the rail repair network.



### Corporate Headquarters

1385 101st Street, Suite A. Lemont, IL 60439  
**(630) 783-2570**



### Sales, Distribution, Gate-Repair Services

11747 Windfern Road, Suite 500. Houston, TX 77064  
**(281) 351-0274**

# Contents



## LOADING/UNLOADING ADAPTERS AND COMPONENTS **07**

Top Unloading Adapters	08
-----	-----
Bottom Unloading Adapters	09
-----	-----
Bottom Outlet Caps	10
-----	-----
Downlegs	11
-----	-----
Unloading Elbows	12
-----	-----



## SECUREMENT AND SECONDARY CLOSURES **13**

Seal Pins	14
-----	-----
Plugs/Pipe Caps	15
-----	-----
Blind Flanges	16
-----	-----
Cable Seals and Locking Devices	17
-----	-----



## MANWAY COVERS AND ACCESSORIES **18**

Salco Manways	19
-----	-----
Lift Assists	20
-----	-----
Baier Manway	21
-----	-----
Eyebolts	22
-----	-----
Eyebolt Sockets	23
-----	-----



## TOP VALVES AND VENTS **26**

Vacuum Relief Valves	27
-----	-----
Pressure Relief Valves	28
-----	-----
Ball Valves	29
-----	-----
Quick Inspect Safety Vents	30
-----	-----

# Contents

## BOTTOM VALVES

31

4-Inch Apollo® Bottom Outlet Valve	32
-----	-----
6-Inch Butterfly Valve	33
-----	-----
Safeguard™ BOV Handle Kit	34
-----	-----



## LOAD LEVEL/GAUGING

35

Magnetic Gauge Device	36
-----	-----
Outage Marker	37
-----	-----



## TANK AND SHELL

38

Defect Card Holder	39
-----	-----
Labels and Decals	40
-----	-----
Placards and Holder	41
-----	-----
Inspection Port Covers	38
-----	-----
Stencils	39
-----	-----



## SAFETY AND COMPLIANCE

40

Conspicuity Tape	41
-----	-----
Mid Rail Kits	42
-----	-----
Yard Safety	43
-----	-----
Grab Irons	44
-----	-----
Handrail Safety Guard	45
-----	-----



# Contents



## **RUNNING GEAR**

**46**

Brake Parts	47
-----	-----
Couplers and Draft Gear	48
-----	-----
Side Bearings	49
-----	-----
Truck Components	50
-----	-----
Wear Plates	51
-----	-----



## **SERVICES**

**52**

Engineering Services	53
-----	-----
Regulatory Compliance Services	54
-----	-----
Consignment / Inventory Management	56
-----	-----



# Loading/Unloading Adapters And Components

A successful load or unload starts at the connection point. Salco Products offers the most extensive selection of AAR approved railcar loading/unloading adapters and components, ensuring a safe and efficient transfer process.





# Top Unloading Adapters



TOP OF CAR

Top loading/unloading adapters provide a quick and direct connection to the unloading hose.



#### MULTIPLE SIZES AVAILABLE

1-inch, 2-inch and 3-inch sizes



#### DOT AND AAR APPROVED DESIGNS

Threaded and Cammed cap securement



#### MATERIALS AVAILABLE

Stainless Steel and Ductile Iron



#### AVOID LEAKS

Secure fitting minimizes leaks and spills

#### ADDITIONAL DETAILS

- Includes adapter, cap, chain and gaskets
- Dual thread design extends NPT life by 50% on threaded caps

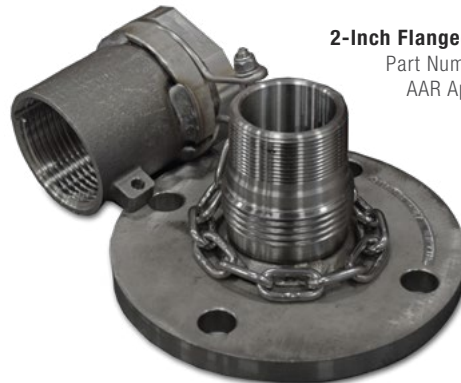
#### 2-Inch Thread-On Fitting Assembly

Part Number: K20IUMP1A  
AAR Approval #: E-139514



#### 2-Inch Flanged Fitting Assembly

Part Number: TE20SDLP07FA  
AAR Approval #: E-149523



View Salco's AAR Quality Certifications here:  
[salcoproducts.com/certifications](http://salcoproducts.com/certifications)

#### FOR MORE INFORMATION



For more information or to see our complete Top Loading/Unloading Adapter offering Visit [salcoproducts.com/UA](http://salcoproducts.com/UA)





# Bottom Unloading Adapters



BOTTOM OF CAR

Bottom unloading adapters provide a quick and direct connection to the unloading hose.

### Flanged Adapter w/ Threaded Cap

Part Number: TE4IU7A  
AAR Approval #: E-149524



### Threaded Adapter w/ Cammed Cap

Part Number: K4IU2A  
AAR Approval #: E-139514

09

Loading/Unloading Adapters And Components



#### MULTIPLE SIZES AVAILABLE

3-inch, 4-inch and 6-inch sizes



#### DOT AND AAR DESIGNS

Threaded and Cammed cap securement



#### MATERIALS AVAILABLE

Stainless Steel and Ductile Iron



#### AVOID LEAKS

Secure fitting minimizes leaks and spills

#### ADDITIONAL DETAILS

- Assemblies include adapter, cap, chain and gaskets
- Reducing flanges available
- Can be electro-polished and humidity tested for food-grade applications



View Salco's AAR Quality Certifications here:  
[salcoproducts.com/certifications](http://salcoproducts.com/certifications)

#### FOR MORE INFORMATION



For more information or to see our complete Bottom Unloading Adapter offering  
Visit [salcoproducts.com/UA](http://salcoproducts.com/UA)





# Bottom Outlet Caps



BOTTOM OF CAR

Ergonomic, lightweight belly caps that reduce operator injuries from the handling of traditional heavy and awkward steel designs.



### RAILROAD THREAD

Standard 5¼-inch railroad thread allows for application to any manufacturer's nozzle



### CORROSION-RESISTANT

Constructed of corrosion-resistant materials



### REDUCE WRENCH SLIPPAGE

Steel reinforced hex head increases grip area

### ADDITIONAL DETAILS

- Aluminum cap is approved for use with hazardous and non-hazardous commodities, including flammables.
- Also available in standard Ductile Iron or Stainless Steel
- A broad range of gasket options allows for use in any commodity

### 4-Inch Aluminum Bottom Outlet Cap

Part Number: TC43BCALA



### 4-Inch Plastic Bottom Outlet Cap

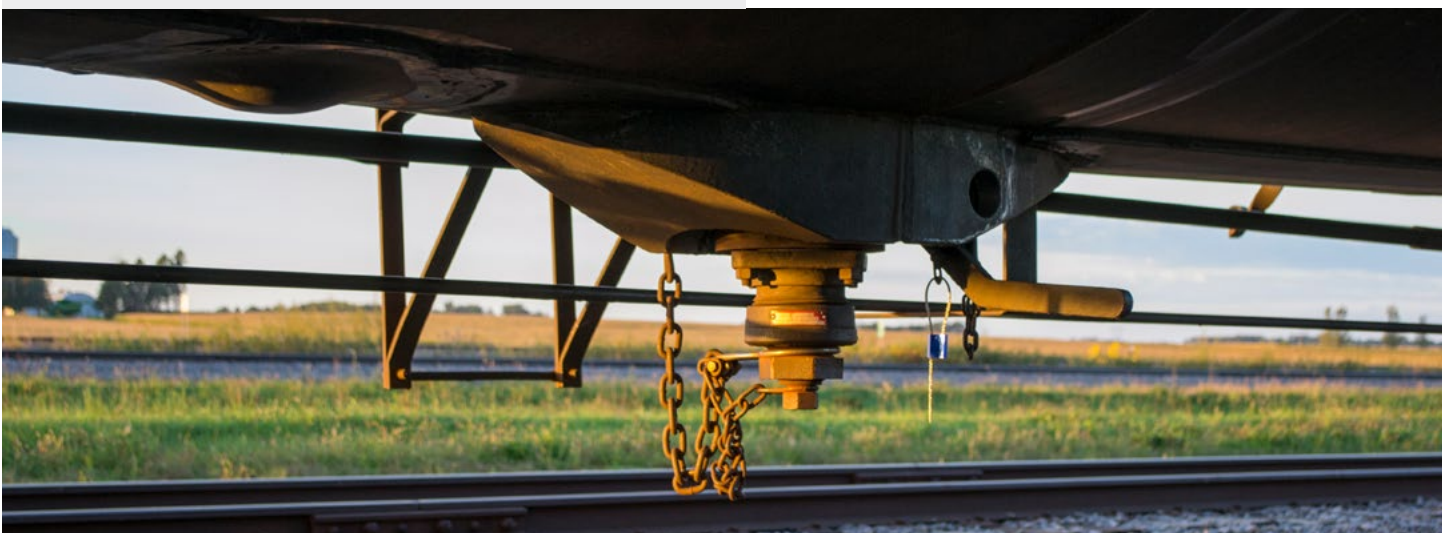
Part Number: PBC4002A

AAR Approval #: E-202138

\*Not recommended for flammable service



For more information or to see our complete list of cap configurations visit [salcoproducts.com/bellycaps](http://salcoproducts.com/bellycaps)



# Downlegs



BOTTOM OF CAR

4-inch Bottom outlet nozzles with AAR threads fit any style bottom outlet valve.

## PRODUCT DETAILS

- Available in Ductile Iron, Stainless Steel and Carbon Steel
- For use with 5¼-inch railroad thread bottom outlet caps
- Flange gasket material options for any commodity
- Designed to figure E18 in the AAR C-III Manual

## OPTIONS THAT BEST FIT YOUR NEEDS

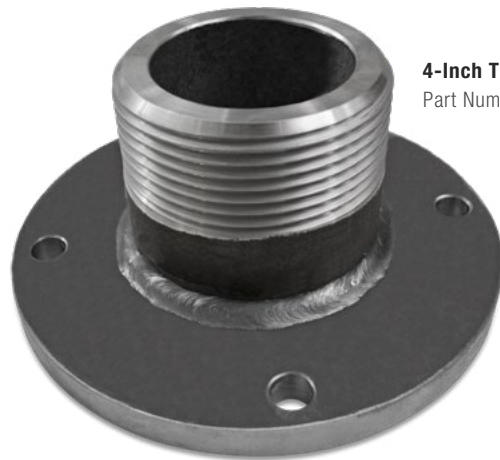
Our bottom outlet nozzles are designed to meet a wide range of customer needs. They are available in multiple different bolting patterns, ensuring a seamless installation and operation with any variety of bottom outlet valve styles.

Several different gasket options are also available depending on the commodity. These gaskets provide a secure seal between the nozzle and the bottom outlet valve, ensuring the prevention of leaks and that cargo stays properly contained.

**4-Inch Threaded Downleg**  
Part Number: TC4DLJWMDI

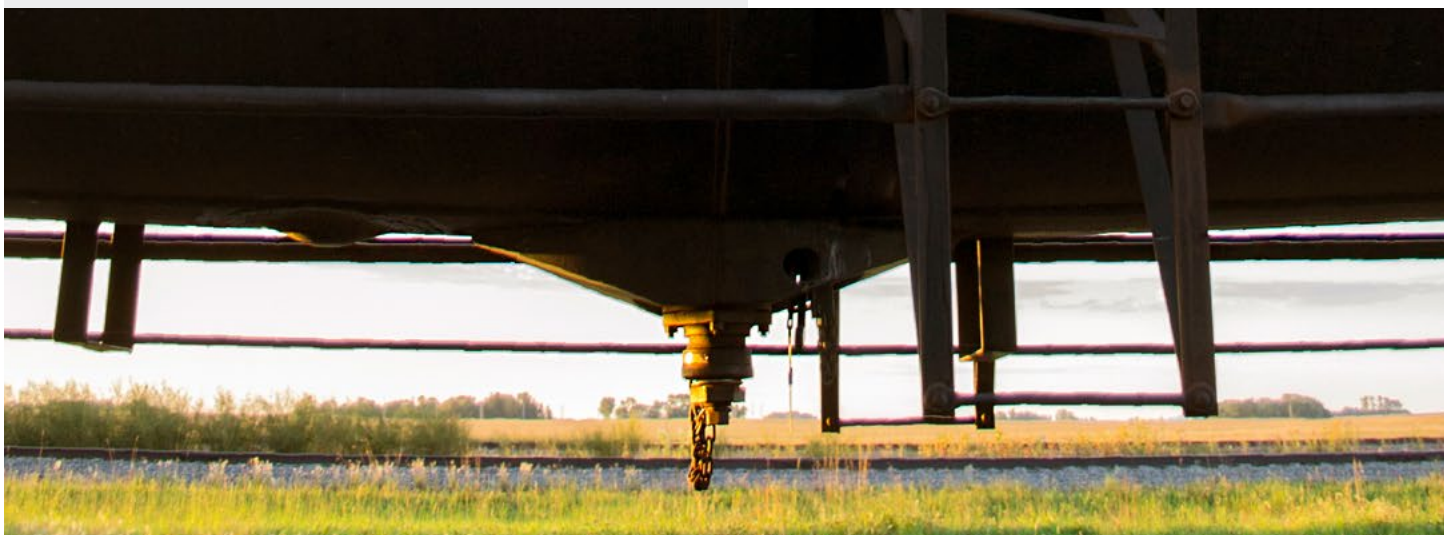


**4-Inch Threaded Downleg**  
Part Number: TC4DLUTSS1A



Can be sold as an assembly which includes nozzle, cap, chain and gasket.

**Contact Customer Support for more information**



# Unloading Elbows



BOTTOM OF CAR

Available in a 45° or 90° radius, Salco's unloading elbows make it easier to attach your loading hose.

## PRODUCT DETAILS

- Threaded or Cammed hose connection
- 2-inch, 3-inch, and 4-inch adapters available
- Available in Aluminum or Stainless Steel
- Various gasket options for all commodities
- Customizable with nipple and ball valve for an airline

## HELP ELIMINATE CONTAMINATION

Complete your unloading operation with durable hose supports. Protect your hose from unwanted dirt and damage by keeping it off the ground. Elevated holders allows for easy connection to the unloading elbow.

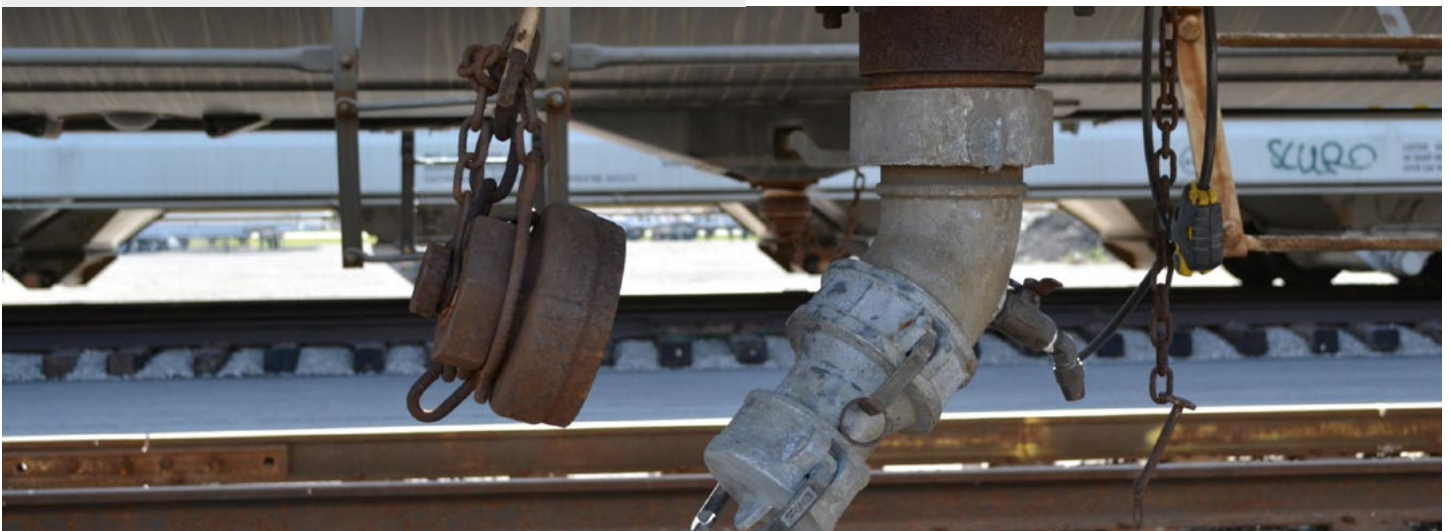
### 4-Inch 45° Unloading Elbow

Part Number: U44A4FM1101



### YOU MAY ALSO NEED:

Hose Support (HS345)  
Hose Supprt w/ Wheels (HS345W1)





# Securement and Secondary Closures

Our securement and secondary closures are a quick solution to ensure your components and commodity have the proper protection against movement or leaks.



# Seal Pins



TOP OF CAR

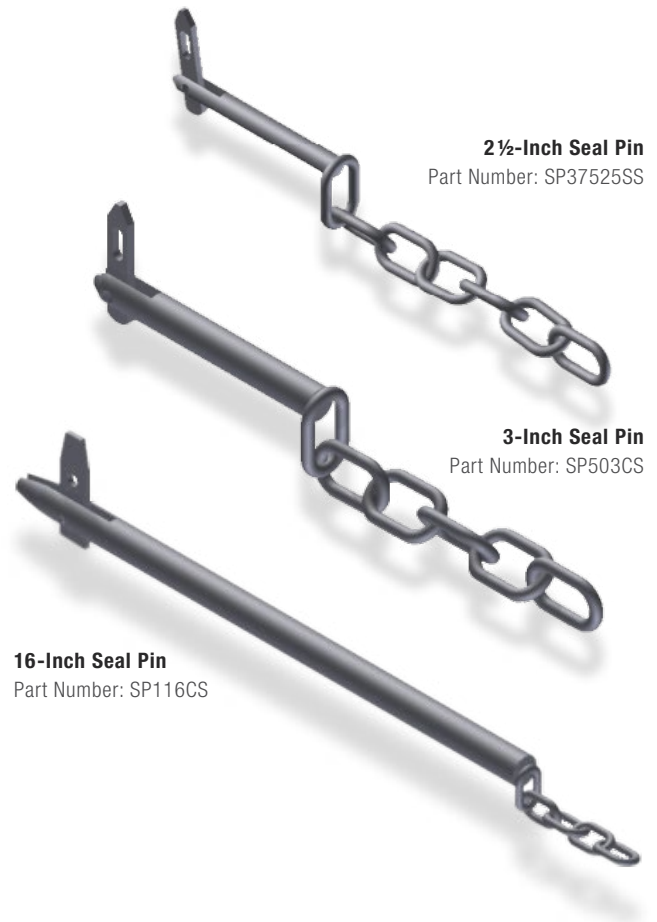
Seal pins provide effortless securement and can quickly be applied or replaced. Included chain length keeps the pin assembly near closure points and avoids misplacement.

## PRODUCT DETAILS

- Quickly and easily lock a closure, keeping it secure while in transit
- Various sizes in stock and available for immediate shipment
- Known for their smooth operation as well as long life span
- Available in Carbon Steel and Stainless Steel
- Pins available in thicknesses up to 1 inch
- Pins available in lengths up to 17 inches

## CABLE SEAL READY

The hinged locking device (flapper) has an opening for a cable seal, allowing for an additional layer of protection on closure.



**2½-Inch Seal Pin**  
Part Number: SP37525SS

**3-Inch Seal Pin**  
Part Number: SP503CS

**16-Inch Seal Pin**  
Part Number: SP116CS



Multiple configurations are available, to find what option is right for your application visit [salcoproducts.com/sealpins](https://www.salcoproducts.com/sealpins)



# Plugs



BOTTOM OF CAR

Hex head NPT plug and chain assemblies allow for a quick inspection of the valve for leaks before removing closures.

## PRODUCT DETAILS

- Solid single piece milled design
- Superior seal
- Available in a variety of sizes up to 3 inches
- Available in a variety of materials based on commodity
- Different chain lengths and materials offered
- Optional seal hole for additional security
- Swivel chain link attachment prevents binding

## FLUID TIGHT SEAL

Tapered threads pull tighter than standard threads creating a fluid tight seal to contain any leaking commodity.



To find your exact configuration, visit:  
[salcoproducts.com/plugs](https://salcoproducts.com/plugs)

### 1-Inch Carbon Steel Plug

Part Number: TC1PA



### YOU MAY ALSO NEED:

2-Inch Pipe Cap (TI2PCA)  
3-Inch Pipe Cap (TI3PCA)



# Blind Flanges



BOTTOM OF CAR

Protect your bottom outlet valve between unloadings. Lightweight design reduces operator injury due to handling heavy, awkward steel designs.

## PRODUCT DETAILS

- Lightweight 356 Aluminum casting
- Black Anodized finished (theft deterrent and improved surface protection)
- 1-inch NPT plug in various materials - customer choice
- Integrated cable seal provisions and chain attachment point
- Raised face sealing surface
- $\text{Ø}9\frac{1}{2}$ " Bolt Circle - 4 bolt

## PREVENTS LEAKS AND SPILLS

Blind flanges help offer an additional line of defense against damage and non-accidental releases by providing a secondary barrier to contain the contents of the railcar. Additionally, the tight seal created by the flange helps to prevent any leaks or spills from occurring, even in the event of an accident or impact.



**6-Inch Blind Flange**

Part Number: TCBF100A



Multiple configurations are available, to find what option is right for your application visit [salcoproducts.com/blindflanges](http://salcoproducts.com/blindflanges)





# Seals and Locking Devices



BOTTOM OF CAR

A broad line of seals and locking devices for a wide variety of security requirements. Salco can supply the 1/8-inch cable seals BNSF now requires to be applied to its cars.

## ITEM 2250C

Rule Governing Barrier Seal Application: Issued October 6, 2003; effective January 1, 2004. The shipper is responsible to protect the safety and integrity of its lading, including but not limited to, the application of barrier seals to railroad cars to prevent unauthorized access to its lading. A minimally-accepted barrier seal will be composed of braided steel strands (high tensile strength steel cable) totaling one-eighth inch in diameter.

## A TYDEN BROOKS AUTHORIZED DISTRIBUTOR

With everything from rugged polypropylene or nylon indicative seals to hardened alloy-steel barrier seals, Salco Products can provide a solution for any level of security you might need.

### Multi-Lok Cable Seal

Part Number: BR8919012-F



Multiple cable seal options are available, to find what option is right for your application visit [salcoproducts.com/cableseals](http://salcoproducts.com/cableseals)





# Manway Covers and Accessories

Salco's Manway Cover and Accessories assist in keeping your fleet properly sealed to avoid NAR fines from leaks, splashes, and other unintentional releases.





# Salco Manway Covers



TOP OF CAR

Salco's manway covers are available in both 6 and 8-bolt patterns and can be installed on most major manufacturer's non-pressure tank cars.



### MULTIPLE MATERIALS

Stainless Steel and Carbon Steel



### FULLY CUSTOMIZABLE

Add threaded ports and safety vent bosses



### AAR STYLE

AAR Style #1 gasket groove

### ADDITIONAL DETAILS

- Works with the Salco Lift Assist device (See page 20)
- Available with mill, satin or polished finishes

### ELIMINATE POTENTIAL LEAK PATHS

Also available in a stronger one piece stamped cover that eliminates the weld between the dome and ring. Completely customizable with shorter lead times than fabricated designs.

### 20-Inch 6 Bolt Carbon Steel Manway Cover

Part Number: TMC20611

AAR Approval #: E-182114



### 20-inch 8 Bolt Carbon Steel Manway Cover (One Piece)

Part Number: TMC20201C101

AAR Approval #: E-182113



Part numbers referenced are for images shown, For full offering visit: [salcoproducts.com/manways](http://salcoproducts.com/manways)



# Lift Assists



TOP OF CAR

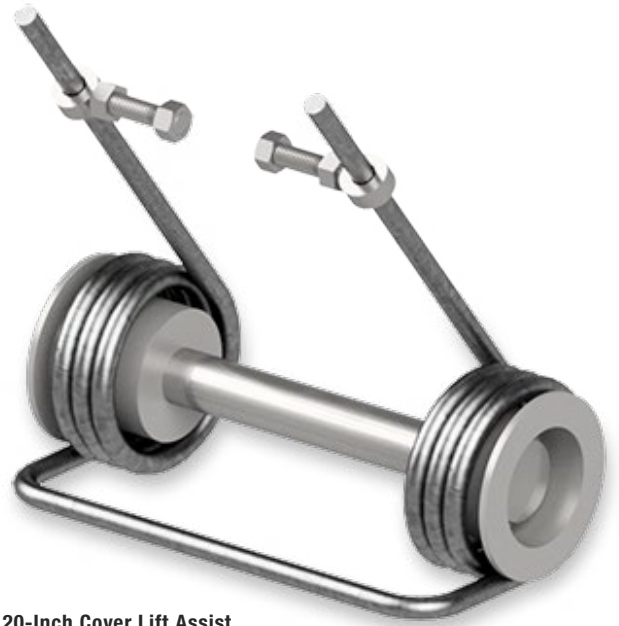
Improve operator safety with lift assistance for heavy manway covers.

## PRODUCT DETAILS

- Available in Stainless Steel or Carbon Steel
- Minimal welding required
- Various designs available for any application or car builder arrangement
- Springs can be customized to your specific needs
- Takes less than 20 pounds of strength at the handle to open the cover

## IMPROVE OPERATOR SAFETY

Salco's lift assisters are a simple yet effective way of providing operators with a safer work environment. Eliminating the dangers that come with handling cumbersome manway lids. These devices are available in various sizes to suit any car builder arrangement.



**20-Inch Cover Lift Assist**  
Part Number: LAD20TR3



Part numbers referenced are for images shown, For full offering visit: [salcoproducts.com/liftassist](http://salcoproducts.com/liftassist)





# Baier® Manway Cover System



TOP OF CAR

The Baier® Single-Bolt Tank Car Manway Cover System is a modern solution for railway tank car applications. Its fundamentally different design creates a superior seal in one quick operation with simple hand tools.

## PRODUCT DETAILS

- Available in Stainless Steel or Carbon Steel
- Superior Sealing
- Various elastomeric o-ring material options
- Cost Savings
- Safe and Secure
- DOT-111 / DOT-117 New Build & Retrofit
- Reduce NAR's
- Service Trial Approval ST-462 10/2019

## O-RING SEALING

Instead of squeezing a flat gasket to achieve a seal, our O-ring is positioned between the nozzle wall and the cover sheer ring. This creates consistent and uniform compression on the seal. Additional internal pressure works to the advantage of the system. More pressure enhances the sealing force. No other system can make this claim.

## TEFLON -ENCAPSULATED O-RING

Resilient core material encased in a Teflon jacket creates an ideal nocrush seal. The abrasion resistant material O-ring can be used for multiple operational cycles. This one-style Teflon O-ring is compatible with most commodities and saves operators on replacement costs and out-of-service delays



**Baier® Single Bolt Manway Cover Assembly**

Part Number: BTSB

AAR Approval #: E-152106



For more about the Baier® Manway system visit:  
[salcoproducts.com/baier](http://salcoproducts.com/baier)

Salco Products has the privilege of being Baier®'s exclusive distributor of the Single-Bolt Tank Car Manway Cover System.



# Eyebolts



TOP OF CAR

Used to secure 6-bolt and 8-bolt manways covers, Salco's eyebolts are available in a wide variety of sizes and configurations.



## MATERIALS AVAILABLE

Carbon Steel and 316/416 Stainless Steel



## MULTIPLE LENGTHS

4-inch to 7-inch lengths available



## VARIOUS DIAMETERS

3/4-inch to 7/8-inch and 1-inch diameters available

## ADDITIONAL DETAILS

- Fits most OEM manway configurations
- Standard eyebolts can be customized to your specifications
- Variety of different safety mechanisms available
- Hex and square nuts available
- PTFE coatings available

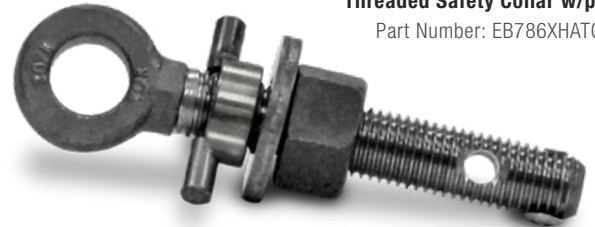
7/8-Inch x 6-Inch Carbon Steel Eyebolt with Threaded Safety Collar

Part Number: EB786XHFTATC3



7/8-Inch x 6-Inch Carbon Steel Eyebolt with Threaded Safety Collar w/pin

Part Number: EB786XHATCP



7/8-Inch x 6-Inch Carbon Steel Eyebolt

Part Number: EB786XA



Part numbers referenced are for images shown, For full offering visit: [salcoproducts.com/eyebolts](http://salcoproducts.com/eyebolts)



# Eyebolt Sockets



TOP OF CAR

Salco's tank car eyebolt sockets are practical, time and labor saving tools. Ideal for use by repair shops, loaders, unloaders, mini-shops and anyone who performs work on tank cars.

## PRODUCT DETAILS

- Can be used with all manufacturer's eyebolts
- Deep-well design allows socket to easily fit over 4-inch long bolt stem (from the nut)
- Available in 1 5/8-inch or 1 7/16-inch
- Made of durable 4140 tool steel
- Black oxide finish helps prevent rust
- Drive size is 3/4-inch; sockets can be used manually or with an impact wrench
- Custom-made for Salco, all sockets are in stock ensuring quick delivery

## SPARK-PROOF OPTIONS AVAILABLE

Salco's 4-in-1 bronze eyebolt socket is designed to aid in operations subject to explosion hazards and where spark-proof tools are utilized.



**1 5/8-Inch Hex**  
Part Number: SKT781NS34A



**1 7/16-Inch Double Square**  
Part Number: SKT1716

**1 5/8-Inch Hex**  
Part Number: SKT158X

**1 7/16-Inch Hex**  
Part Number: SKT1716X



### Please Note:

1 5/8-inch socket fits 1-inch nuts; 1 7/16-inch socket fits 7/8-inch nuts

## 4-IN-1 SPARK-PROOF EYEBOLT SOCKET

- 3/4-inch drive combination socket will work with both 1-5/8-inch and 1-7/16-inch nuts (7/8-inch and 1-inch standard eyebolts)
- For use on standard tankcar manway eyebolt applications
- Works with heavy hex nuts and heavy square nuts
- Saves time and labor. Handles both hex and square nuts, replacing 4 sockets with 1
- Deep-well design. The overall working depth of the socket with Insert in place is 5 inches

# Button Head Rods



TOP OF CAR

Used to secure domelid eyebolts to the manway nozzle, Buttonhead Rods are available in multiple configurations to fit your specific application requirements.

## PRODUCT DETAILS

- Sizes available to fit any need
- Available in both Carbon and Stainless Steel
- Eliminates the need for a hammer and chisel, cutting torch, and hot-work permit
- Assemblies include cotter pin and washers
- Cotter pins allow for simple maintenance
- Significantly reduces time and labor

## QUICK, SECURE FASTENER

Solid rods with a standard domed head that secures with a wire formed cotter pin through a hole drilled in the opposite end. Clevis pins are used in combination with domelid eyebolts as a quick, secure, and cost-effective fastener. Salco offers a large selection of high-quality clevis pins to meet your application needs.



**7/8-Inch x 6-Inch Button Head Rod**  
Part Number: BHR786HS6A

**7/8-Inch x 4-Inch Button Head Rod**  
Part Number: BHR784HC1A

**7/8-Inch x 2½-Inch Button Head Rod**  
Part Number: BHR7825HC1A



A limited variety of rods shown above, for full offering visit: [salcoproducts.com/bhr](http://salcoproducts.com/bhr)

## PART NUMBER MATRIX

EXAMPLE SHOWN: BHR3425HS1A

BHR	34	25	HS	1	A
Button Head Rod	Diameter	Length	Material	Cotter Pin	Assembly
	3/4" (34)	2½" (25) - 6½" (65)	Carbon Steel (HC)	1" (1)	
	7/8" (78)		Stainless Steel (HS)	2" (2)	



# Manway Nozzle Gaskets



TOP OF CAR

Designed to AAR specifications, Salco's Nozzle Gaskets feature a unique dual chevron design which improve manway sealing and help combat NAR's.



#### MULTIPLE SIZES AVAILABLE

18-inch, 20-inch and 24-inch sizes



#### NUMEROUS GASKET OPTIONS

Viton, EPDM, FDA Nitrile and Butyl



#### GLUE-FREE INSTALLATION

Allows for simple cleaning or replacement

#### ADDITIONAL DETAILS

- Can be used in place of manway cover gaskets
- Long inner leg secures to the manway nozzle, holding the gasket in place
- Securement tab provides an optional means of anchoring the gasket with a cable seal.



**20-Inch White Manway Nozzle Gasket**

Part Number: TC20NGN



For complete gasket testing documentation, including FEA results

**Contact a Salco Products Representative**





# Top Valves and Vents

Centrally located on the fittings plate, top valves and vents perform a great variety of tasks, from loading and unloading of commodity to pressure and vacuum relief that protects from rupture or implosion by allowing the tank car to breathe, or vent, when pressure changes occur.





# Vacuum Relief Valves



TOP OF CAR

AAR approved flanged and threaded non-cycling vacuum relief valves allow the railcar to relieve pressure built up by temperature fluctuations from loading/unloading or transit.



**MULTIPLE SIZES AVAILABLE**

1½-inch and 2½-inch sizes available



**VARIOUS SEALING MATERIALS**

Buna-N, EPDM, Neoprene, Viton A, Etc.



**CUSTOMIZABLE PRESSURE SETTINGS**

Pressure setting options from -4psi to -0.75psi

**ADDITIONAL DETAILS**

- Non-cycling feature prevents valve from activating/cycling and product release in case of rollover derailment

**ADDITIONAL SAFETY MEASURES**

Optional tamper evident cap and filter screen provide an extra level of security for the safe and uncontaminated travel of your commodity.



**Threaded Vacuum Relief Valve**

Part Number: VVN15S4101A  
AAR Approval #: E-202141



**Flanged Vacuum Relief Valve**

Part Number: VVN15S6RA112A  
AAR Approval #: E-202141



For full Vacuum Relief Valve offering visit:  
[salcoproducts.com/VRV](http://salcoproducts.com/VRV)





# Pressure Relief Valves



TOP OF CAR

28

Top Valves and Vents

Constructed from castings hand poured in the USA, Girard Stainless Steel or Teflon® lined/coated reclosing pressure vents safely and reliably relieve excess pressure that would otherwise create a hazardous condition in a tank car.

## PRODUCT DETAILS

- Quick disassembly feature designed for ease of maintenance
- Release pressure up to 165 PSIG
- Flow Ratings: 165 PSI/Flow rate: 13,355 SCFM @ 182 PSI
- 75 PSI/Flow rate: 8,586 SCFM @ 85 PSI
- Rugged, low profile design

## MADE IN AMERICA

For more than 60 years, Girard Equipment has been producing quality products for an ever-growing, everchanging industry. Girard Equipment is one of America's leading manufacturers of pressure relief valves and is as a superior choice when it comes to reliability, performance, and trust.



### Black Teflon® Coated PRV

Part Number: GERR407-165-4  
AAR Approval #: E-172101



For full Pressure Relief Valve offering visit:  
[salcoproducts.com/PRV](http://salcoproducts.com/PRV)





# Ball Valves



BOTTOM OF CAR

Apollo® ball valves are made in the U.S. with the best delivery times in the industry. Manufactured in ISO registered and AAR certified facilities means never having to compromise on performance or reliability.

## PRODUCT DETAILS

- Certified by the AAR
- Multiple sizes available from ½-inch to 6-inch
- Available in full or standard port
- Blowout-proof stem design
- Meets OSHA lockout/tagging regulations
- Equipped with a grounded ball and stem
- API 607 Fire Safe Valves

## AVAILABLE FOR IMMEDIATE SHIPMENT

As the exclusive distributor for Apollo® transportation valves, Salco Products has many different arrangements, materials, and sizes in stock for immediate shipment.



**Flange x Thread (2-Piece) Valve**  
Part Number: CA87A-388-24-SP1  
AAR Approval #: E-152113



**Flange x Flange Valve**  
Part Number: CA87A-208-24-SP1  
AAR Approval #: E-152112



**Threaded Valve**  
Part Number: CA76F-105-24-27-SP1  
AAR Approval #: E-172108



**Flange x Thread (Single Piece) Valve**  
Part Number: CA76F-388-24-27-SP1  
AAR Approval #: E-152113



Part numbers referenced are for images shown. To find the valve that is right for you, visit: [salcoproducts.com/Apollo](http://salcoproducts.com/Apollo)





# Quick Inspect Safety Vents



TOP OF CAR

30

Top Valves and Vents

Chemical and weather resistant, the Quick Inspect Safety Vent allows easy inspection, cleaning and replacement of the rupture disk.



### MULTIPLE MATERIALS

Noryl or Stainless Steel



### REMOVABLE CENTER PLUG

Allows easy inspection, cleaning and replacement of the rupture disk



### SURGE PROTECTOR AVAILABLE

Required by the AAR

### ADDITIONAL DETAILS

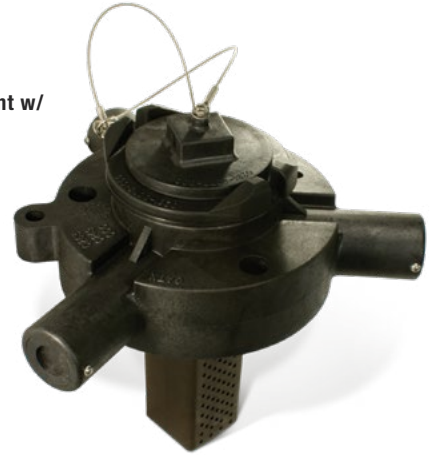
- Accommodates most major rupture disks and styles
- If needed for your application, Salco can provide adapter flanges that allow the Quick Inspect to be mounted to your car in the field

### MULTIPLE APPLICATIONS

A versatile design allows for numerous application scenarios to best suit your requirements.

### Quick Inspect Safety Vent w/ Ryton Surge Protector

Part Number: Q1261R3A



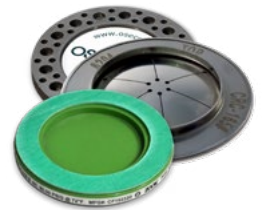
### Quick Inspect Safety Vent w/ Salco PE Surge Protector

Part Number: Q1261HSP03A  
AAR Approval #: PRD-162102



### YOU MAY ALSO NEED:

Rupture Discs



Visit Salco Products YouTube channel for instructional application videos:

[youtube.com/salcoproductsinclmont](https://www.youtube.com/salcoproductsinclmont)



# Bottom Valves

Intended to offer a means of bottom unloading tank cars, bottom outlet valves were designed in strict accordance with AAR regulations to provide the safe and reliable unloading of a variety of commodities.





# 4-Inch Apollo® Bottom Outlet Valve



BOTTOM OF CAR

Extensively tested and evaluated to ensure quality, the Apollo® 4-inch bottom outlet valve is designed for safe and reliable bottom unloading.



#### QUICK OPERATION

Allows a quick quarter-turn operation



#### FITS ALL CARS

Fits all OEM sump and saddle configurations



#### MULTIPLE MODELS AVAILABLE

Steam jacketed models also available

#### PRODUCT DETAILS

- Independent valve stop ensures cycling does not impact stem packing sealing
- Unrestricted flow design provides high capacity for liquids and slurries
- Bolted retainer with heavy hex nuts allows for a stronger connection
- Blowout proof stem design
- Adjustable graphite stem packing



#### 4-Inch Bottom Outlet Valve

Part Number: CA87A-TPA-24-SP3

AAR Approval #: E-139507



Salco Products is the exclusive distributor of Apollo® transportation valves. To find the valve that is right for you visit: [salcoproducts.com/apollo](http://salcoproducts.com/apollo)





# 6-Inch Butterfly Valve



BOTTOM OF CAR

Series 31H lug-style seated butterfly valve meets ASME class 125/150 and PN16 flange requirements. The durable, high-strength one-piece stem utilizes an efficient internal disc to stem connection, making unloading easy.

## PRODUCT DETAILS

- The stem is retained in the body by means of a unique stainless steel Spirolox® retaining ring, a thrust washer and two C-rings, manufactured from brass as standard, stainless steel upon request.
- Non-corrosive, heavy duty acetal bushing absorbs actuator side thrust.
- Double “U” cup seal design is self-adjusting and gives positive sealing in both directions.
- One piece wafer or lug style. Polyester coating for excellent corrosion resistance. Nylon 11 coating is available as an option.
- Bray’s tongue and groove seat design provides complete isolation of flowing media from the body. The seat also features a molded o-ring which eliminates the use of flange gaskets.

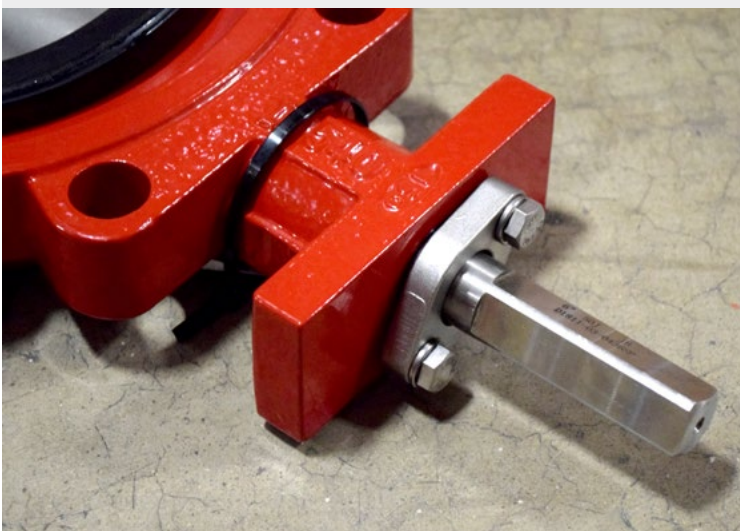


6-inch Railcar Butterfly Valve

Part Number: BR310600-1101J34Q / A175



View Salco website for full product offering at:  
[salcoproducts.com/brayvalve](http://salcoproducts.com/brayvalve)





# Safeguard™ BOV Handle Kit



BOTTOM OF CAR

Salco's patented Safeguard™ BOV Operating System prevents unintended handle engagement with the valve, avoiding accidental openings.



#### LOCKS DURING TRANSIT

Even with the handle disengaged



#### WORKS ON ALL CARS

New cars or retrofit of existing cars



#### INSTALLATION OPTIONS

Available in weld-on or bolt-on systems

#### ADDITIONAL DETAILS

- Multiple seal-hole provisions to ensure tamper evidence
- Adapts to any bottom outlet valve configuration
- UHMWPE bearing surfaces promotes smooth operation
- Can be applied to jacketed or non-jacketed cars
- Bolt-on design requires no hot work; cars do not need to be cleaned or shopped prior to application
- Designed per AAR Appendix E, Chapter 9, Section 9.1.2.8

#### CALL FOR CHANGE

Tank car regulations now require bottom outlet valve handles to disconnect from the bottom outlet valve during transit to prevent accidental actuation of the valve, whether caused by improper securement or derailment.

#### THE SOLUTION

The Salco Safeguard™ BOV Operating System is an AAR compliant design which prevents unintended engagement of the handle to the valve. Equipped with multiple safeguards to ensure the valve handle engages and disengages only through proper action of the operator.



**Full-Sized Weld-On BOV Handle**

Part Number: BOVHKITCSJ01  
US Patent #: 10,274,101



**Compact Bolt-On BOV Handle**

Part Number: CBOVHKITJ02



View Salco website for full product offering at:  
[salcoproducts.com/bovhandle](http://salcoproducts.com/bovhandle)





# Load Level/Gauging

Safe, reliable, and high visibility Magnetic Gauge Devices and Outage Makers make it easier and more convenient for operators to read precise commodity levels.





# Magnetic Gauging Device

 TOP OF CAR

Salco's advanced design and quality materials ensure durability and more precise readings.

## PRODUCT DETAILS

- Hermetically sealed rod ensures numbers will not degrade
- Thicker Teflon float-bushings for longer float life
- Float rated for 600 psig
- All wetted components are stainless steel
- 8-inch float provides increased buoyancy
- DOT/Coast Guard compliant; approved by ABS (American Bureau of Shipping)

## HIGH-TECH MAGNETS

High-tech magnets are stronger and lighter, promoting durability and longevity. Standard float will accommodate commodity with specific gravity as low as .49. Single float systems available to accommodate specific gravity as low as .41. Tri-colored rod facilitates reading when car reaches critical fill level.

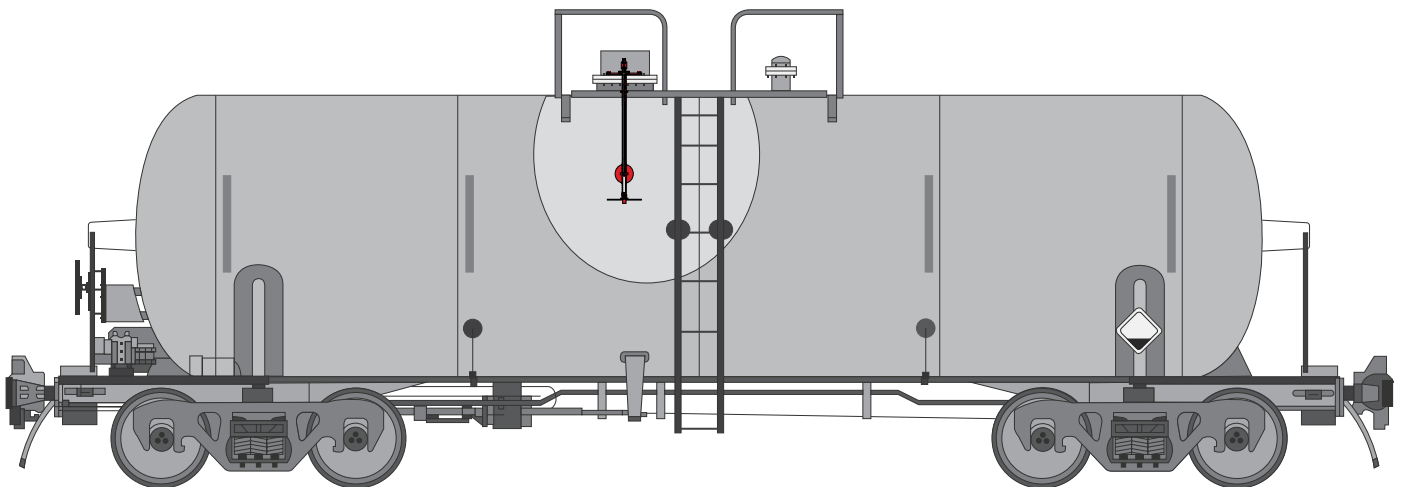


### Magnetic Gauging Device

Part Number: MGD1000  
AAR Approval #: E-202146



View Salco website for full product offering at:  
[salcoproducts.com/gaugingdevice](http://salcoproducts.com/gaugingdevice)



# Outage Marker



TOP OF CAR

Outage Markers provide a simple and convenient means of reading liquid levels in a tank car.

## PRODUCT DETAILS

- Designed to be welded just inside the manway opening
- Constructed of corrosion-resistant 316 stainless steel
- Certified and marked for traceability to ASTM A-262 Practice B
- Lines, text, and numbers are machine engraved for easy reading

## ACCURATE READINGS, BUILT TO LAST

Designed with the operator in mind, Outage Markers make it easy to view liquid levels while loading. The corrosion-resistant 316 stainless device is welded inside the manway opening, providing easy access and readability.

Outage Marker  
Part Number: OM1S



View Salco website for full product offering at:  
[salcoproducts.com/outagemarker](http://salcoproducts.com/outagemarker)





# Tank and Shell

Required marking and inspection supplies to keep you current and in compliance with transportation regulations.



	STATION	STENCIL	QUALIFIED	DUE
TANK QUALIFICATION				
THICKNESS TEST				
SERVICE EQUIPMENT				
PRD. VALVE				
LINING:				
89.B.2 INSPECTION				
STUB SILL INSPECTION				



2 INCH HF COMP SHOES

2-4-12-539

# Labels/Decals/Stencils



BODY OF CAR

Identify important information about your tank car or commodity with Labels, Decals, and Stencils.

## PRODUCT DETAILS

- Wide variety of Labels and Decals to choose from
- Labels and Decals adhere to the side of the tank car
- Stencils are made of brass construction
- Stencils come in 2-inch letters and numbers
- Tank Car Qualification Decal is 42-inch x 19-inch in size

## IDENTIFY INFORMATION ON YOUR TANK CAR

Salco Products has many different Labels and Decals available to fit your specific needs. Stencils provide a clean and easy way help mark your tank car, while Tank Car Qualification Decals help identify important information regarding your tank car and its commodity.



Part Number: LABELBADO



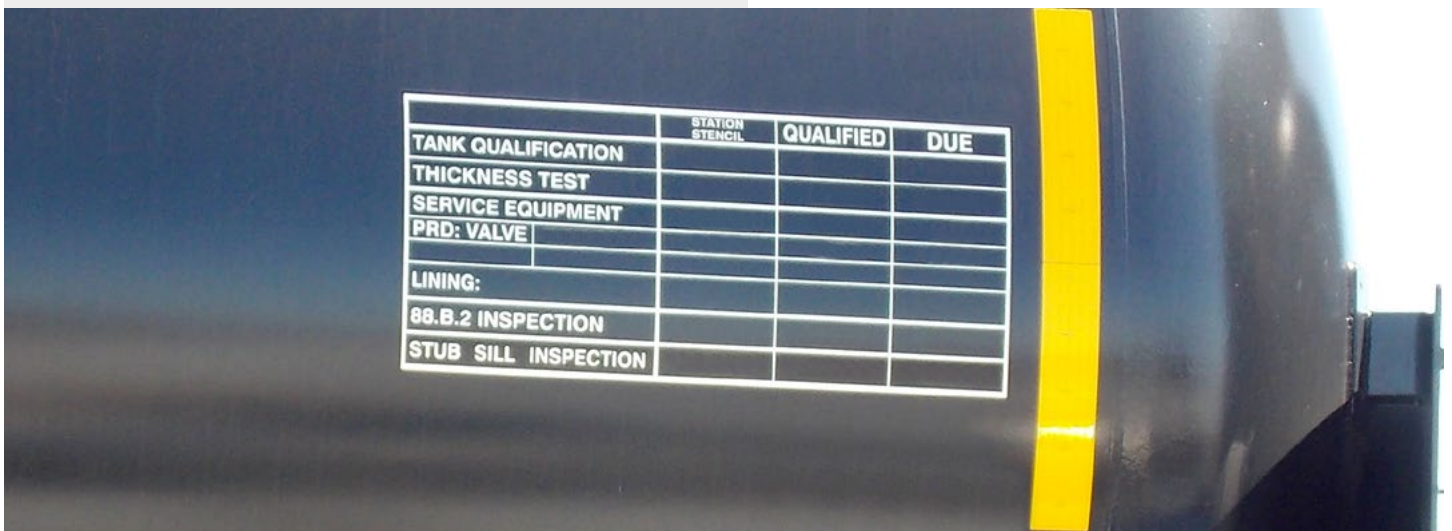
Part Number: DC24480VL



Part Number: FA3123308



View Salco website for full product offering at:  
[salcoproducts.com/labelsdecals](http://salcoproducts.com/labelsdecals)



# Placards and Holder



BODY OF CAR

Durable and reliable diamond-shaped placards allow operators and emergency responders to know which dangerous goods are in the railcar.

## PRODUCT DETAILS

- Corrosive, Poisonous and Flammable placards available amongst other types of hazards
- Available in 10¾-inch x 10¾-inch size placards
- Placards made of durable Adhesive Vinyl or Polyvinyl
- 4-digit UN #, hazard class graphic, and class # included
- Placard holder securely holds placards in place
- Placard are printed with long-life UV inks that resist peeling, chipping, and fading

## IDENTIFY POTENTIAL HAZARDS

Placards quickly identify potential hazardous commodities inside a tank car. In the general placarding requirements of 49 CFR 172.504(a) of the USDOT/PHMSA Hazardous Materials Regulations (HMR), when required, all rail cars are to have a placard on each side and each end of the tank car.



Part Number: PH14S



View Salco website for full product offering at:  
[salcoproducts.com/placards](https://www.salcoproducts.com/placards)





# Inspection Port Covers



BODY OF CAR

41  
Tank and Shell

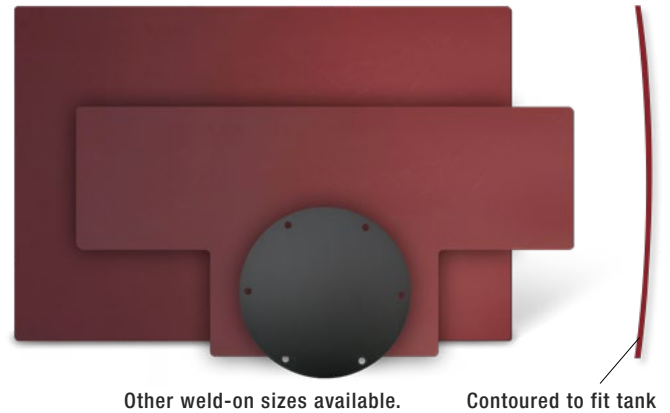
A time-saving and cost-efficient means of easily inspecting tank car shells and insulation. Allows repeated inspections of the same section.

## PRODUCT DETAILS

- Contoured to fit the curvature of the tank shell
- Weld on and bolt-on styles available
- Inspection Port:
  - Gaskets with adhesive backing, and self drilling screws included
  - Allows repeated inspections of the same section
- Jacket Plate:
  - Various sizes available
  - Carbon steel primed for metal protection

## Weld-On (14 x 20-Inch)

Part Number: JP1420C

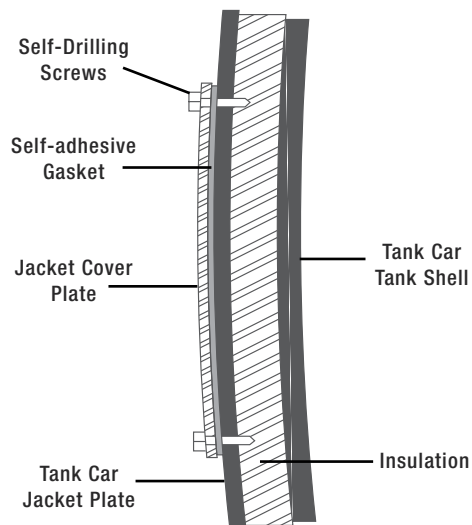


View Salco website for full product offering at:  
[salcoproducts.com/portcovers](http://salcoproducts.com/portcovers)

## Bolt-On (7 1/2-Inch OD)

Part Number: TCJIP200A

Self Tapping  
Screws Included





# Safety and Compliance

In a highly regulated industry, safe and compliant parts and practices are of the utmost importance. Support your operations with Salco's product offering that meets DOT and FRA requirements.



# ORALITE® Conspicuity Material



BODY OF CAR

Salco offers the rail industry ORALITE® conspicuity material, a high-visibility reflective tape that can greatly improve visibility and safety at night, in bad weather, and in poorly lit environments. ORALITE® conspicuity material is unmatched for recognition and safety.

## PRODUCT DETAILS

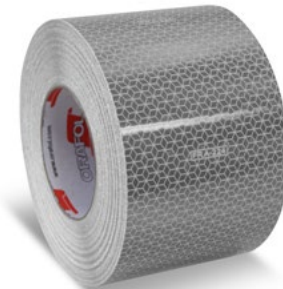
- Extremely durable, impact and crack resistant
- Single ply - .008 thin; no open-cell construction
- Easily adheres to flat and curved surfaces
- Retains reflective ability even when wet
- Meets all D.O.T. specs

## MICROPRISM CONSTRUCTION

Cube-corner microprism retro-reflective elements are integrally bonded to a flexible, weather-resistant UV-stabilized polymeric film.



Part Number: R4X150BY



Part Number: R4X150BW

# ORALITE®

Salco Products is an authorized distributor of Oralite® high-visibility reflective tape for the rail industry.



Part numbers referenced are for images shown  
View Salco website for full product offering at:  
[salcoproducts.com/oralite](https://www.salcoproducts.com/oralite)



# ORALITE® Conspicuity Material



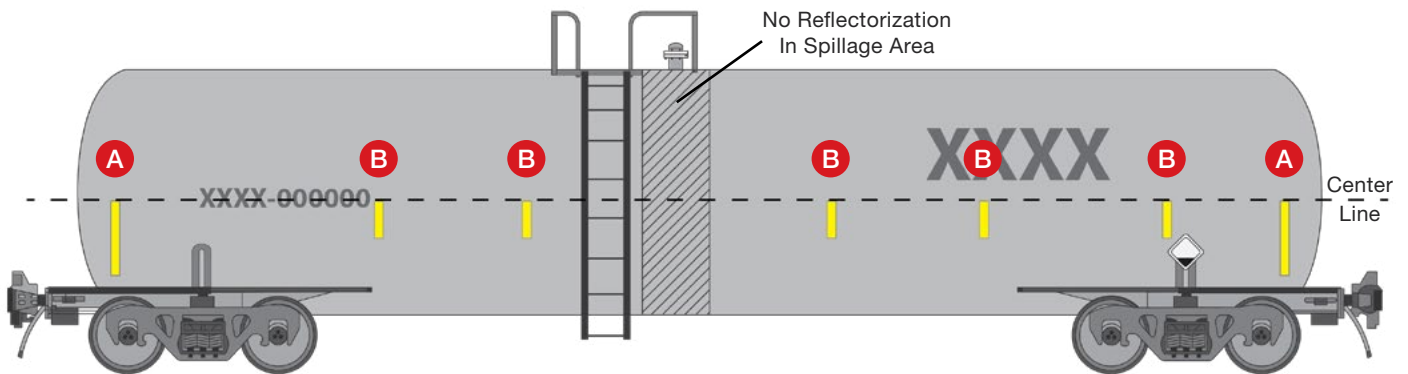
BODY OF CAR

ORALITE® Rail Conspicuity Material should be applied in accordance with the Federal Railroad Administration 49 CFR Part 224 “Reflectorization of Rail Freight Rolling Stock; Final Rule”– January 3, 2005.

44

Safety and Compliance

TYPICAL TANK CAR BETWEEN 60' & 70'



- A** 4-Inch x 36-Inch = 1 Sq. Ft.
- B** 4-Inch x 18-Inch = ½ Sq. Ft.

**Yellow vertical reflective sheeting (4.0 sq. ft.) pattern applied to a typical Tank Car between 60' & 70'.**

(additional sheeting required per 49 CFR 224.105 if white sheeting is applied in lieu of yellow)



This chart is also available as an 11-inch x 17-inch laminated poster. Offering protection from oil, dirt and spills, perfect for shop environments. Contact Customer Support to request yours. 630-685-4661 • sales@salcoproducts.com



# Mid Rail Kits



TOP OF CAR

45  
Safety and Compliance

Retrofit your platforms with our high quality, versatile Midrails and Toe Boards. **NO WELDING REQUIRED,\*** Custom-designed to fit your fleet, fall protection products that meet Federal Railroad Administrative (FRA) requirements.

## PRODUCT DETAILS

**Midrails:** Midrails enclose tank car platforms and provide protection to keep workers from slipping and falling.

- Midrails can be retrofitted to accommodate existing platforms with bolt-on designs
- Midrails are available in a powder coat finish, or any color coat to suit your fleet

**Toe Boards:** Added toe boards help protect workers from slipping off as well as protecting workers below from tools or other object accidentally kicked or sliding off the platform.

- Simple installation design accomodates varying width platforms
- Bolts are Carbon Steel, and top lock nut is Stainless Steel

\* Some applications may require drilling and trimming during the installation

## PROVIDE PROTECTION FOR YOUR WORKERS

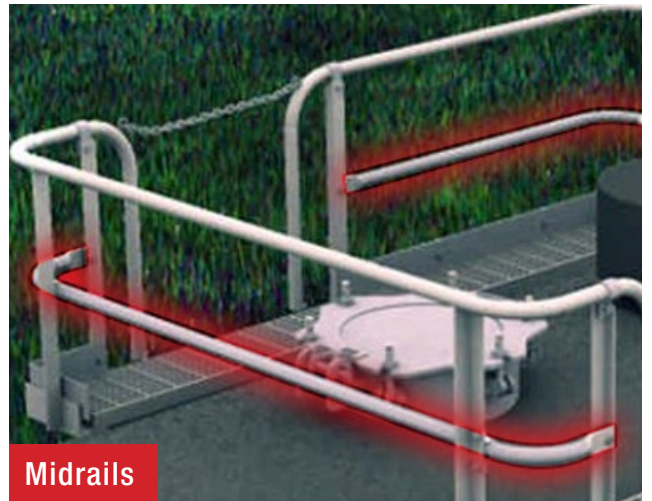
Salco designed Midrails and Toe Boards meet the FRA standards and requirements of manufacture, repair and securement of safety appliances on tank cars without underframes.



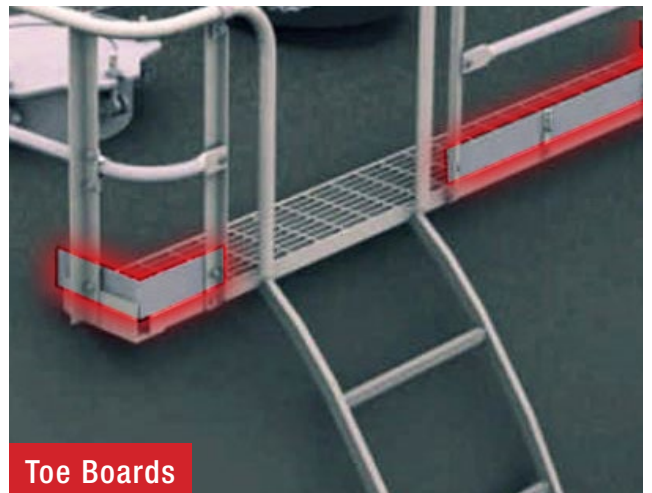
View Salco website for full product offering at:  
[salcoproducts.com/midrailkits](http://salcoproducts.com/midrailkits)



Midrail design applied to a split platform



Midrails



Toe Boards

# Aldon® Safety Products

## RAIL YARD

Long identified with railroad safety and maintenance products, Aldon® is recognized throughout North America for its full range of safety and maintenance products for rail and industrial use.

### PRODUCTS AVAILABLE

- Sign holders
- Sign plates
- Wheel chocks
- Solar lights
- Derails
- Electric gate opener

### RAIL, DOCK & TRUCK SAFETY PRODUCTS

Rail yards are busy and dangerous places in which to work. Workers need to be constantly alert of what is happening around them and where they are standing. Aldon® Railroad Safety Products help workers stay alert and safe when working around freight cars.



Salco Products is an authorized distributor of Aldon® safety and maintenance products.

View Salco website for full product offering at:  
[salcoproducts.com/yardaccessories](http://salcoproducts.com/yardaccessories)



# Grab Irons



BODY OF CAR

Grab Irons attach to the sides of railcars and provide a safe and effective way for operators to access the top of the tank car.

## PRODUCT DETAILS

- Made of durable Carbon Steel
- Handhold diameter is 3/4-inch
- Hole diameter comes in 9/16-inch or 11/16-inch sizes
- Length is customizable
- Foot direction available in feet out, feet in, or feet up

## CUSTOMIZABLE TO FIT YOUR NEEDS

Salco's carbon steel Grab Irons come in a variety of sizes and lengths to fit your specific needs. The length is customizable and you can request other specifications such as hole diameter, foot direction, and height offset on Salco's website.



Part Number: AR6D650727



Part Number: AR6D651120



Part Number: AR6D652318



View Salco website for full product offering at:  
[salcoproducts.com/grabirons](http://salcoproducts.com/grabirons)



# Handrail Safety Guard

 TOP OF CAR

Lightweight aluminum handrail safety guard assembly is designed to provide a safer area for personnel working on the platform of tank cars.

## PRODUCT DETAILS

- Equipped with a polypropylene carrying strap
- Has 2-inch x 18-inch reflective tape on each side
- Can prevent workers from falling from tank car platforms
- For centered or offset openings

## EASY TO USE

Salco's safety guard is easy to attach and detach from the railing. Once attached, the guard can easily be raised to allow access to and from the platform.



Part Number: HSG40AL01



View Salco website for full product offering at:  
[salcoproducts.com/safetyguard](https://salcoproducts.com/safetyguard)

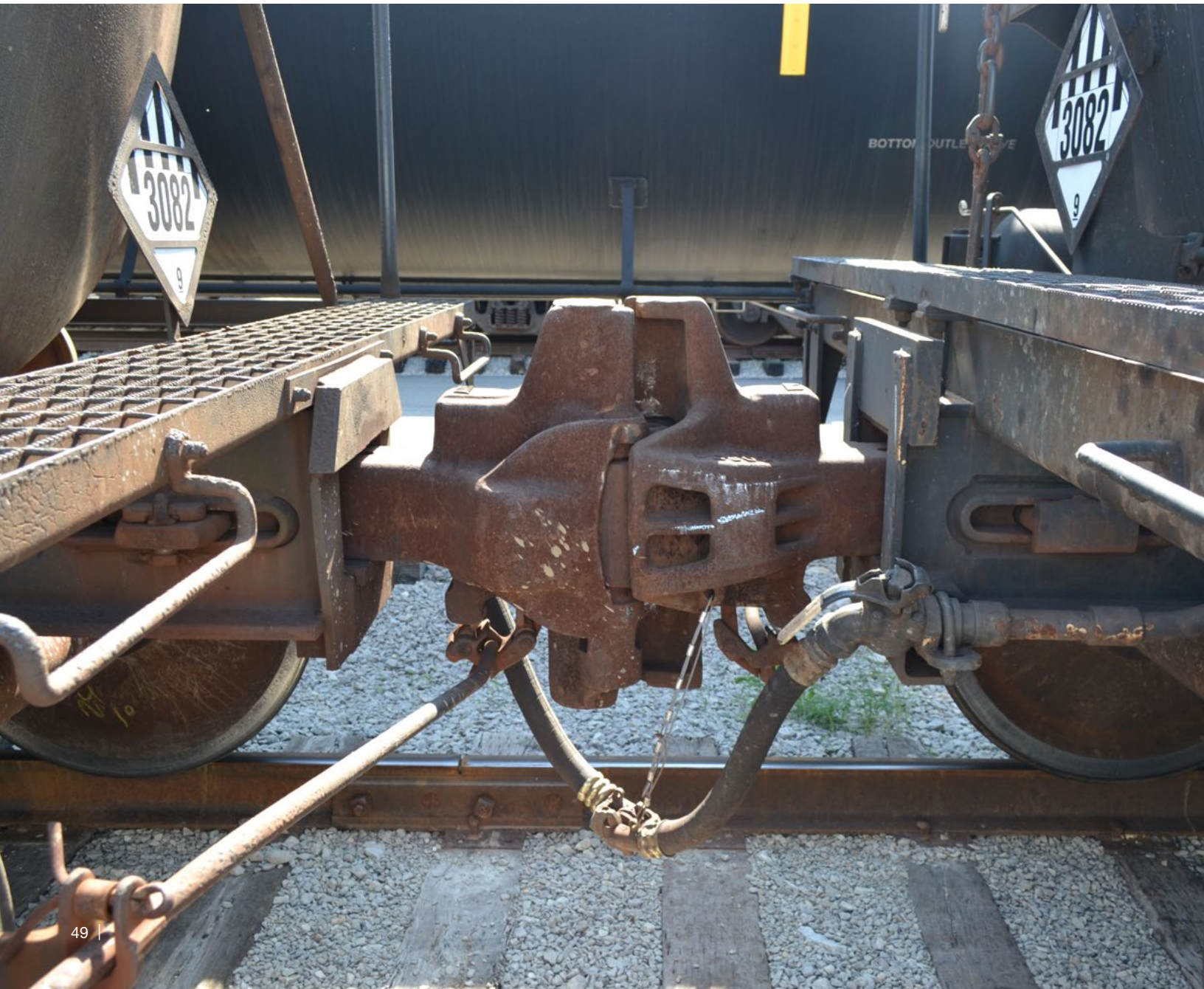






# Running Gear

The physical demands of freight transportation make running gear components the number one maintenance cost item. Whether it be low or high volume, Salco has common running gear parts and components available and ready to ship.



# Running Gear



BOTTOM OF CAR

Optimize the ride quality of your freight and railcars with durable, high-quality, in-stock running gear components.

## PRODUCTS AVAILABLE

- Braking systems
- Friction material
- Safety and protection
- Suspension and vibration control
- Wear and lading protection
- Couplers

## NUMBER ONE MAINTENANCE COST ITEM

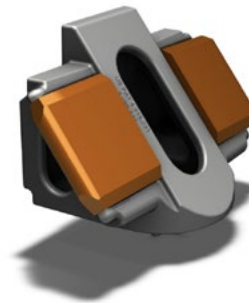
The physical demands of freight transportation make running gear components the number one maintenance cost item. Whether it be low or high volume, Salco has common running gear parts and components available and ready to ship.



**Draft Gears**  
Dynamiq™ 742 Draft Gear



**Hydraulic Stabilizers**  
Hydrashox™ Gold



**Snubbing Systems**  
RFE-53 Friction Wedge



**Break Systems**  
Brake Beam



View Salco website for full product offering at:  
[salcoproducts.com/hcrunninggear](http://salcoproducts.com/hcrunninggear)





# Services

Salco Products possesses the knowledge and the resources to provide professional and specialized services. With over 40 years leading the transportation industry, our innovative and experienced minds make Salco the perfect choice for your consignment or consulting needs.



# Regulatory Compliance Group



SOLUTIONS TO ACHIEVE COMPLIANCE

Salco's Regulatory Compliance Group is engaged in the delivery of highly technical, compliance-based services to our transportation partners.

### FROM DESIGN TO DESTINATION

Our services help our customers move product from design to destination in a safe and cost effective manner. An aspect of our business is compliance with federal regulations, industry standards and to customer requirements.

### AS A COMPLIANCE MANAGEMENT COMPANY

Salco maintains membership in several trade and professional organizations. These memberships, and our participation, helps to ensure that our customers are fully-informed of developing issues, and that we maintain leadership status by promoting scientifically-based and practical solutions to achieve compliance.



Car Inspection



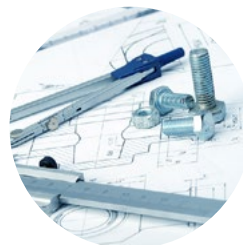
NDT and Welding Support



Quality Assurance



Compliance Support



Engineering Support



Language Services



To schedule training or view a complete list of services  
Visit [salcoproducts.com/RCG](http://salcoproducts.com/RCG)



CLASSROOM TRAINING



HANDS-ON TRAINING

# Consignment Services



## INVENTORY MANAGEMENT

Salco Products offers turnkey inventory management programs tailored to our customer's specific needs. We work together with our customers to optimize inventory turns, put the proper items in inventory and provide simple recording methods to lessen overall cost of servicing our industry.

### COST SAVINGS

- Eliminate expedited shipping fees by keeping high turnover items in stock.
- Monthly bulk deliveries reduce multiple shipment charges.
- Consolidated invoices for all material used; pay for items only when you use them.
- No set up or inventory maintenance fees.



### CONVENIENCE

- Monthly/quarterly on site inventory counts to ensure accuracy
- Automated inventory replenishment
- Stock usage monitored and levels adjusted accordingly

### TECHNOLOGY

- Remote technology available for on-site inventory counts
- Usage/transaction history reports available on demand through web portals

Interested in getting started?

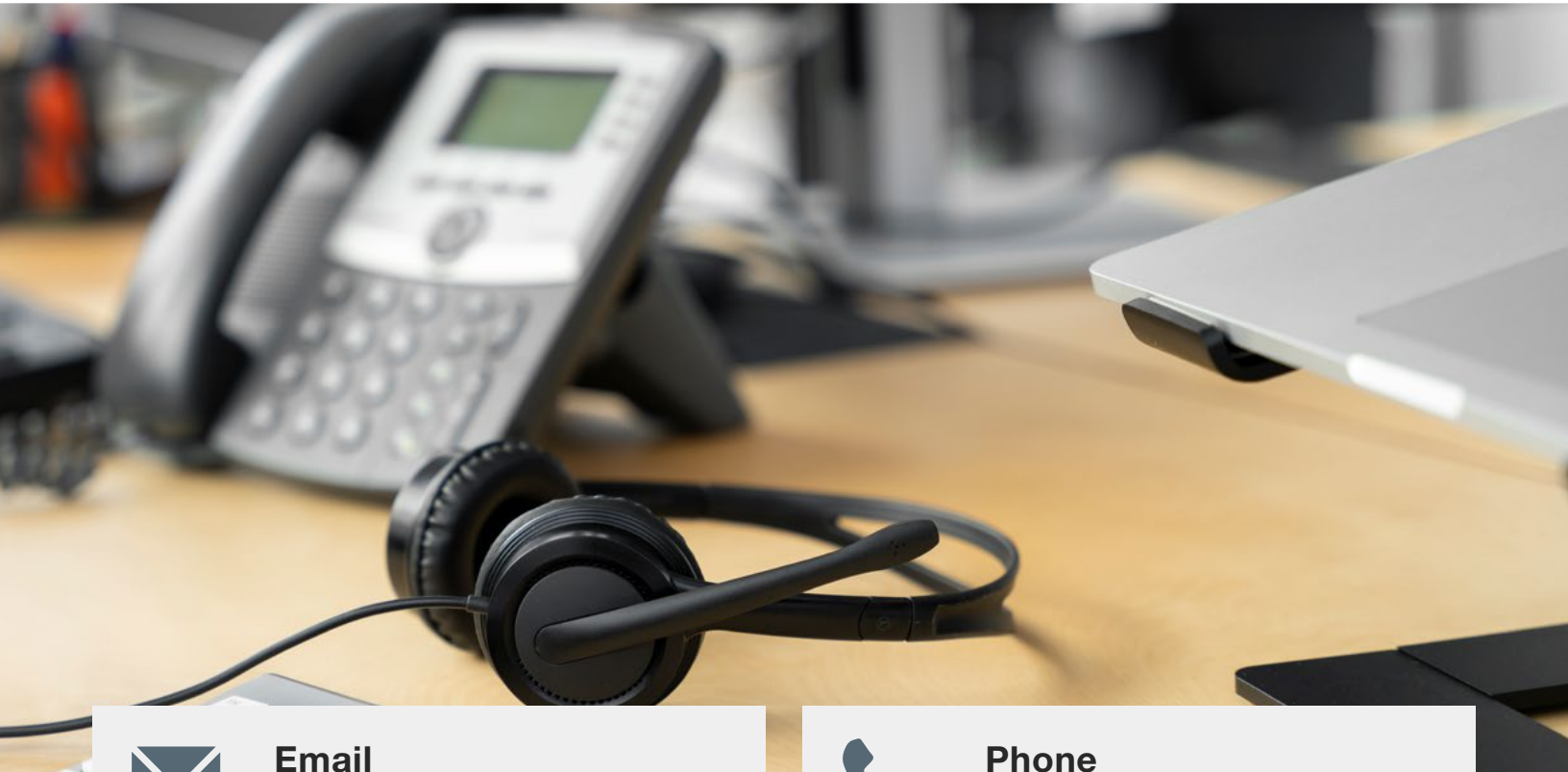
Visit [salcoproducts.com/inventorymanagement](http://salcoproducts.com/inventorymanagement)





# Customer Support

Quality Customer Service is a core value that is embraced by every employee at Salco Products from the top-down. From product design to product destination, and every stage in between, each decision is made with customer satisfaction in mind.



## Email

[sales@salcoproducts.com](mailto:sales@salcoproducts.com)



## Phone

630-685-4661 (English)

630-383-0835 (En Español)

001 630-383-0835 (Desde dentro de Mexico)





**COMMITTED TO INNOVATION**

**CORPORATE OFFICE** 1385 101st Street, Suite A / Lemont, IL 60439

**SALES** (630) 783-2570

**DISTRIBUTION/GATE REPAIR** (281) 351-0274

**FAX** (630) 783-2590

**WEBSITE** [www.salcoproducts.com](http://www.salcoproducts.com)

The most current revision of this information can be found on our website at [www.salcoproducts.com](http://www.salcoproducts.com) and supersedes all other versions. Please check the revision date information of any printed materials to ensure the most current information is being referenced.



Document Reference: Rev. B 03/23