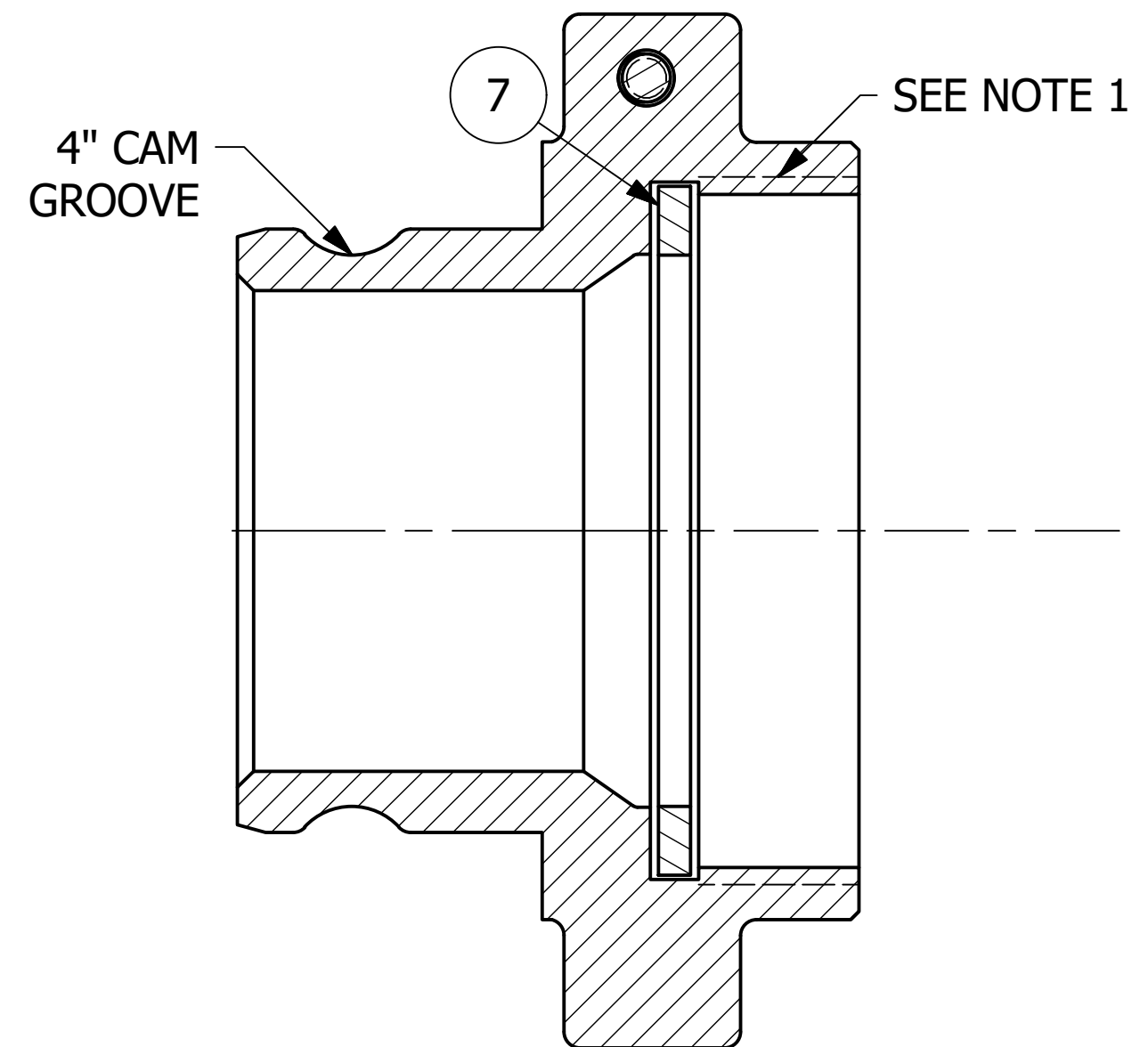


| NO. | PART NAME | PART # | REQ'D | MATERIAL |
|-----|------------------------------------|---------|-------|---------------|
| 1 | HEX BOLT 3/8-16 X 1 3/4" | EA111B | 1 | CS Z/P |
| 2 | HEX LOCK NUT 3/8"-16 | EA111N | 1 | CS Z/P |
| 3 | QUICK CONNECT ADAPTER 4" THREAD ON | K4IA | 1 | DUCTILE IRON |
| 4 | FLAT WASHER 3/8" USS | KL103FW | 2 | CS Z/P |
| 5 | S-HOOK 3/8"X3 1/2" | SC38SH | 1 | CS Z/P |
| 6 | CHAIN LINKS 3/8"X15 | SC4315C | 1 | AISI 1008 CS |
| 7 | ADAPTER GASKET 5 1/4" RR | SSA4G3 | 1 | BLACK EPDM SC |



SECTION A-A

| REV | BY | DATE | DESCRIPTION |
|-----|-----|----------|--|
| F | WEB | 5/5/22 | REPLACED 16X SC43 W/ SC4315C; UPDATED TITLE BLOCK |
| E | RJP | 10/29/13 | AAR APPROVAL # WAS E-039015 MIL SPEC WAS MIL-C-27487G |
| D | GS | 7/24/12 | DRAWING ADDED TO NETWORK. |
| C | TAJ | 6/24/11 | AAR APPROVAL # WAS E-039015 |
| B | CHL | 12/30/03 | AAR APPROVAL # WAS E-939034 |
| A | CHL | 6/5/03 | NEW PART ADDED TO SYSTEM |

NOTES:

1. 5-1/4" - 4 UN 2B THREADS CONFORM TO ANSI B1.1 STANDARD AND FIGURE E18 FROM AAR TANK CAR MANUAL.
2. THIS ASSEMBLY IS NOT DOT APPROVED AND CAN BE USED ONLY ON AAR STENCILED CARS.
3. QUICK DISCONNECT MEETS A-A-59326D.
4. ADAPTER IS DUCTILE IRON (FERRITIZED/ANNEALED) AND MEETS ASTM A395 GRADE 60-40-18 REQUIREMENTS.
5. SPRAY WITH USDA APPROVED WHITE MINERAL OIL OR VEGETABLE OIL AS A RUST INHIBITOR.
6. AAR APPROVAL # E-139514.

| | | |
|--|-----------------------------|----------|
| UNLESS OTHERWISE SPECIFIED DIMENSIONAL TOLERANCES FRACTIONAL: ±1/16 X.XX: ±.03 X.XXX: ±.015 ANGLE: ±1° DEBURR ALL SHARP EDGES. ALL MACHINED SURFACES TO HAVE A 125 RMS FINISH UNLESS NOTED OTHERWISE. THIRD ANGLE PROJECTION | DRAWN BY: | CHL |
| | CHECKED BY: | ACC |
| | PROTOTYPE DATE: | 5/9/2001 |
| | APPROVED FOR PRODUCTION BY: | ACC |
| | PRODUCTION DATE: | 5/9/2001 |
| | SIZE: | C |
| DRAWING #: | 15729 | |

SALCO PRODUCTS, INC.

PART NAME: **QUICK CONNECT ADAPTER 4" THREAD ON**

MATERIAL: **SEE BOM**

PROJECT #: **010508** SHEET #: **1 OF 1** SCALE: **3:4**

PART #: **K4IA3A**