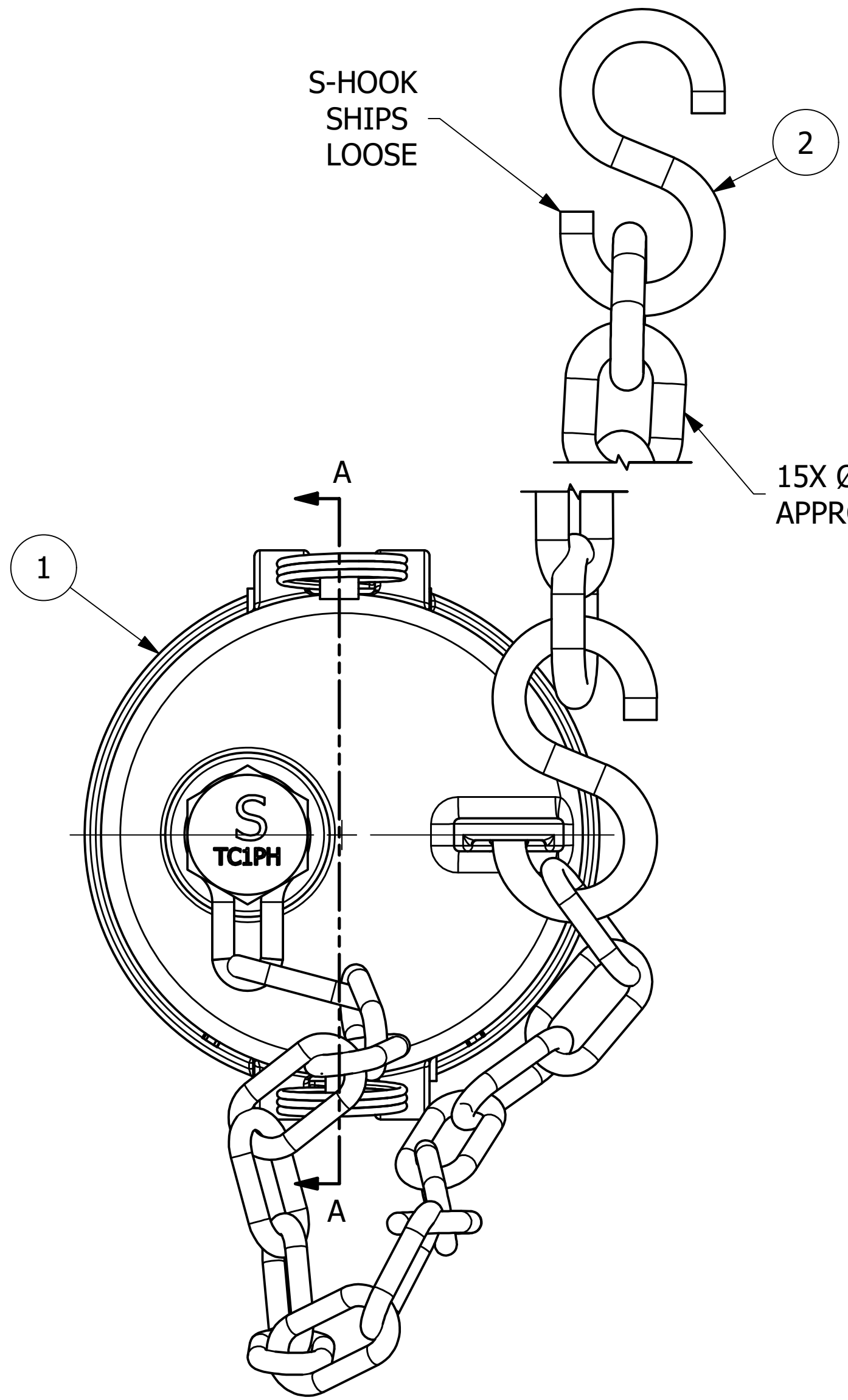
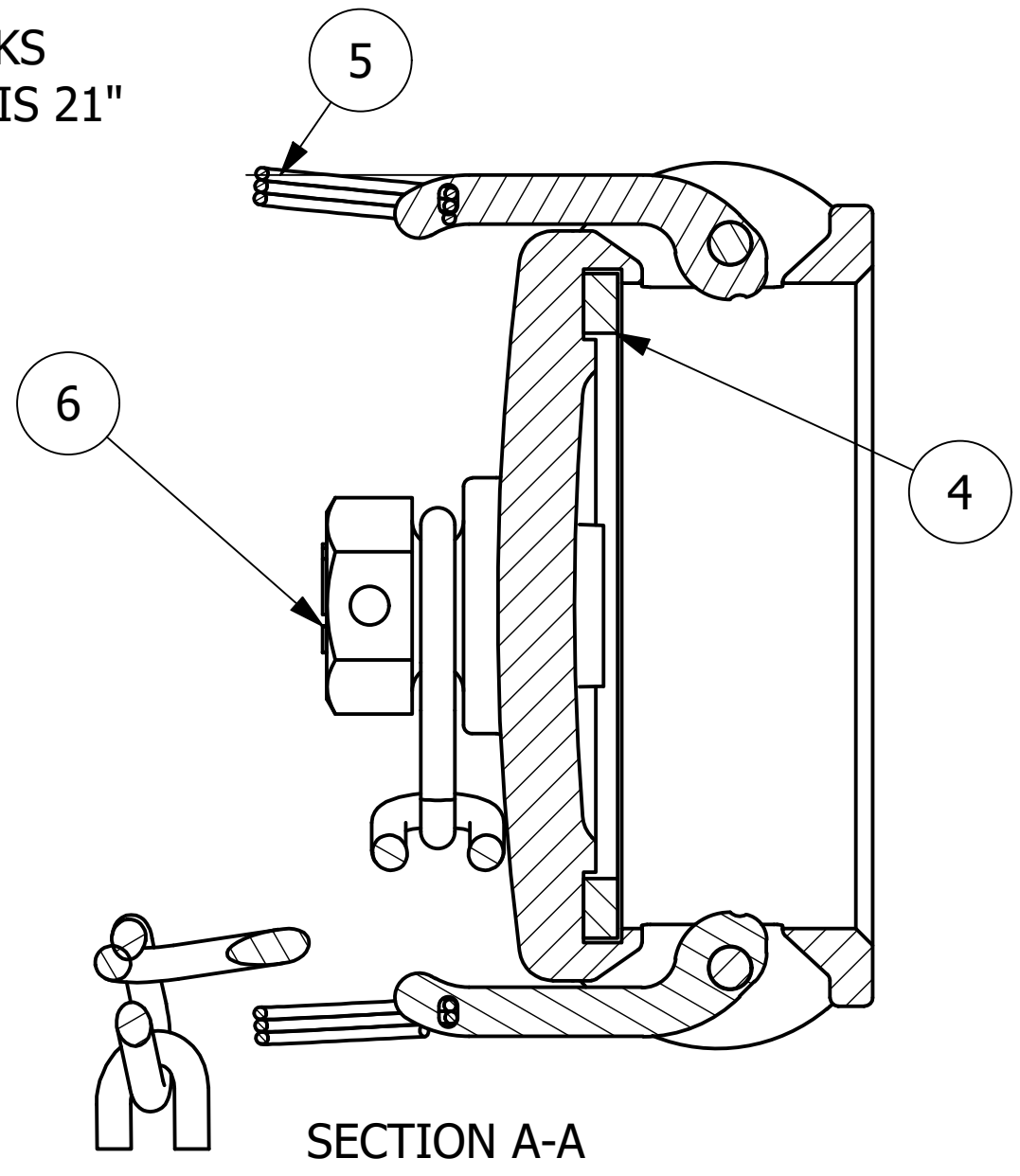


NO.	PART NAME	PART #	REQ'D	MATERIAL
1	QUICK CONNECT CAP 4" CAMMED	K4IDC	1	DUCTILE IRON
2	S-HOOK 3/8"X3 1/2"	SC38SH	2	CS Z/P
3	CHAIN LINKS 3/8"X15	SC4315C	1	AISI 1008 CS
4	DUST CAP GASKET 4"	SSDCG3	1	BLACK EPDM SC
5	CAM ARMS STRAIGHT	SSKLA	2	304 SS
6	PLUG ASSEMBLY 1"	TC1PAH	1	CARBON STEEL



15X Ø3/8 CS CHAIN LINKS
APPROXIMATE LENGTH IS 21"



- NOTES:
1. THIS ASSEMBLY IS NOT DOT APPROVED AND CAN BE USED ONLY ON AAR STENCILED CARS.
 2. QUICK DISCONNECT MEETS A-A-59326D.
 3. DUST CAP IS DUCTILE IRON (FERRITIZED/ANNEALED) AND MEETS ASTM A395 GRADE 60-40-18 REQUIREMENTS.
 4. SPRAY WITH USDA APPROVED WHITE MINERAL OIL OR VEGETABLE OIL AS A RUST INHIBITOR.
 5. AAR APPROVAL # E-232133.

G	RPS	4/15/24	AAR APPROVAL # WAS E-139514.
F	WEB	4/18/22	REPLACED 16X SC43 W/ SC4315C; UPDATED TITLE BLOCK
E	RJP	10/29/13	AAR APPROVAL # WAS E-039015 MIL SPEC WAS MIL-C-27487G
D	KHK	10/29/12	EDITED VIEWS AND ANNOTATIONS
C	BRG	2/8/08	PLUG MATERIAL WAS DUCTILE IRON
B	CHL	1/5/04	AAR APPROVAL # WAS E-939034
A	CHL	6/5/03	NEW PART ADDED TO SYSTEM
REV	BY	DATE	DESCRIPTION

<small>UNLESS OTHERWISE SPECIFIED DIMENSIONAL TOLERANCES FRACTIONAL: ±1/16 X.XX: ±.03 X.XXX: ±.015 ANGLE: ±1° DEBURR ALL SHARP EDGES. ALL MACHINED SURFACES TO HAVE A 125 RMS FINISH UNLESS NOTED OTHERWISE. THIRD ANGLE PROJECTION</small>	DRAWN BY:	CHL
	CHECKED BY:	ACC
	PROTOTYPE DATE:	5/9/2001
	APPROVED FOR PRODUCTION BY:	ACC
	PRODUCTION DATE:	5/9/2001
	SIZE:	C
DRAWING #:	15730	

SALCO PRODUCTS, INC.

PART NAME: **QUICK CONNECT CAP 4" CAMMED**

MATERIAL: **SEE BOM**

PROJECT #: **010508** SHEET #: **1 OF 1** SCALE: **3:4**

PART #: **K4IDC3A**