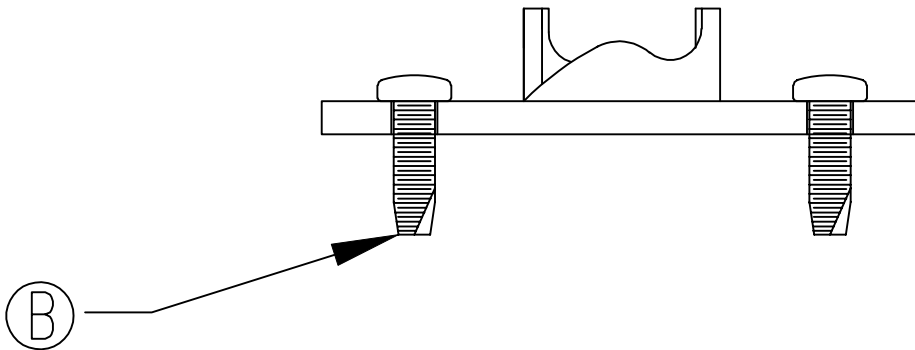
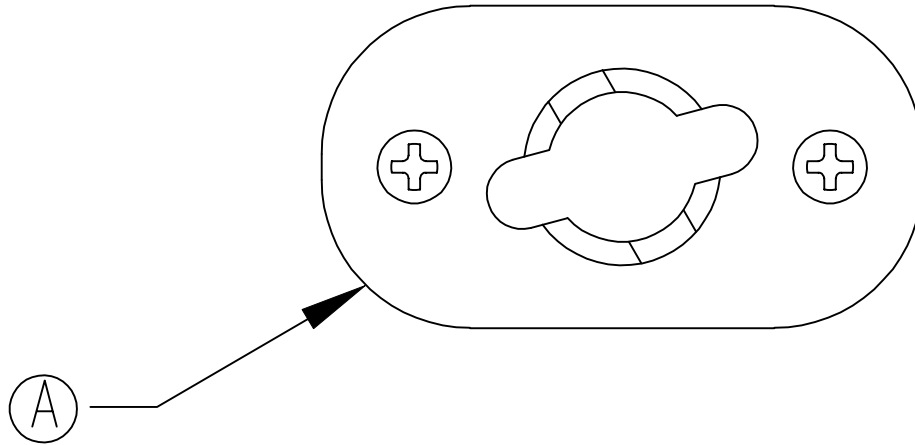


NO.	PART NAME	PART #	REQ'D	MATERIAL
A	BACKPLATE	KL103BP	1	CS CADMIUM
B	BACKPLATE SCREW	KL103BPS	2	CS Z/P



SALCO PRODUCTS

**KAM LOCK BACKPLATE
AND SCREWS**

FILE KL103BPA	DRAWN BRW	DATE 7-14-94	PART NO. KL103BPA
MATERIAL SEE BOM	SCALE 2:1	SIZE A	DIR CVHOPP\GATE
			DWG NO. A5742

THIS PRINT, PROPERTY OF SALCO PRODUCTS INC.,
CONTAINS PROPRIETARY INFORMATION AND MUST NOT
BE COPIED, REPRODUCED, OR USED DETRIMENTALLY
TO OUR INTEREST.