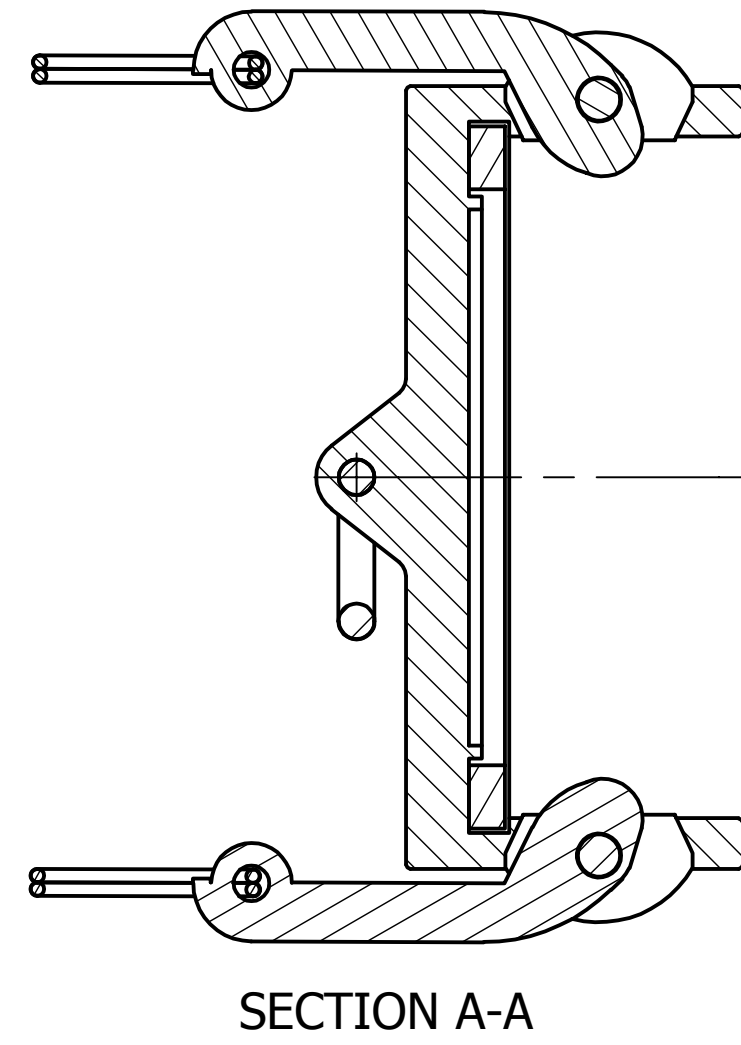
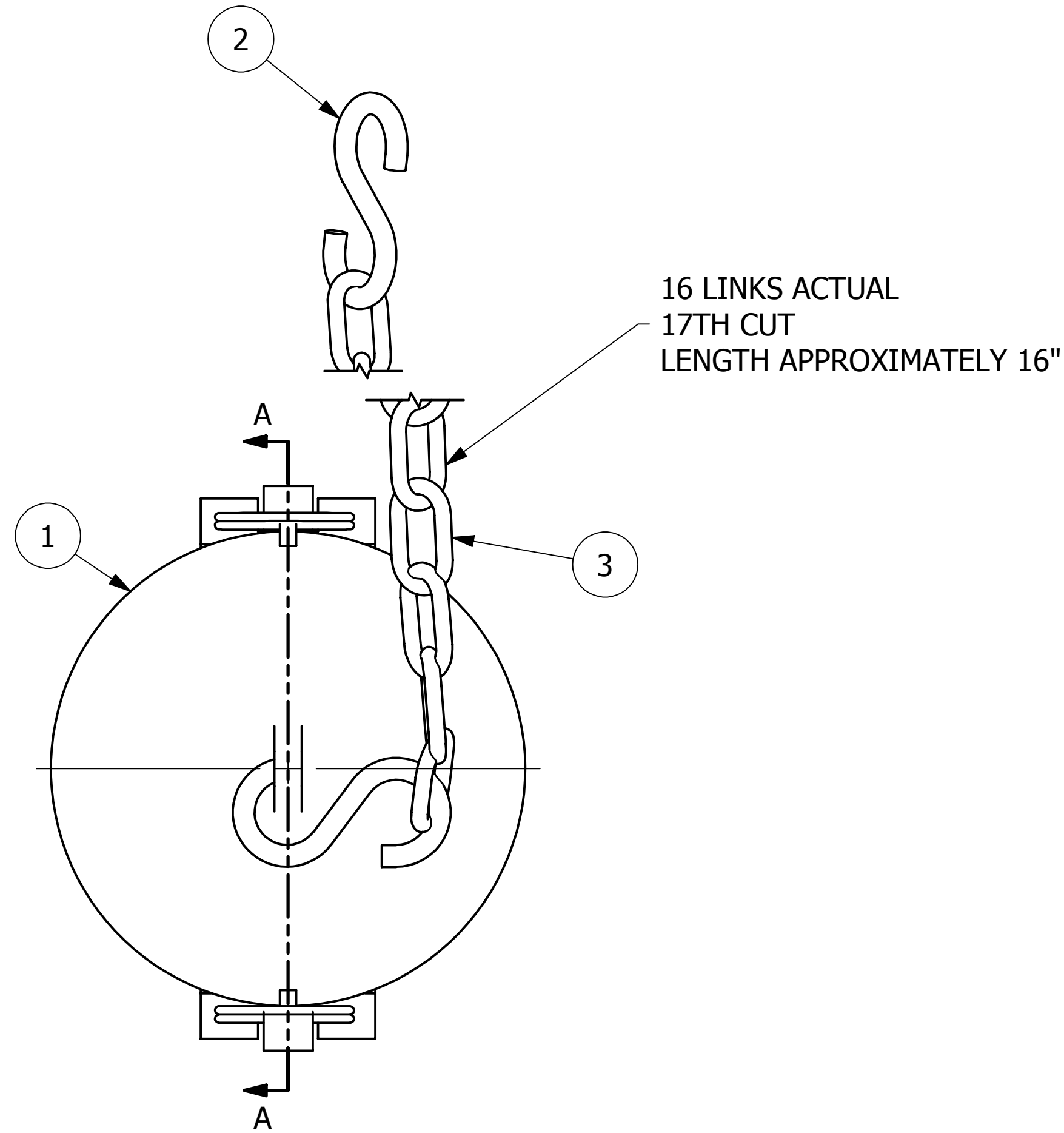


NO.	PART NAME	PART #	REQ'D	MATERIAL
1	DUST CAP 4"	K40SDC1	1	316 SS
2	S-HOOK 1/4" X 2 1/2"	SC25SHS	2	18-8 SS
3	CHAIN LINK 3/16"	SC28SS	17	18-8 SS



NOTES:
 1. GASKET MATERIAL IS BLACK NITRILE.
 2. REPLACEMENT GASKET PART NUMBER IS PD4DCG1.

A	WEB	4-7-17	RELEASED FOR PRODUCTION
REV	BY	DATE	DESCRIPTION

UNLESS OTHERWISE SPECIFIED DIMENSIONAL TOLERANCES FRACTIONAL: $\pm 1/16$ X.XX: $\pm .03$ X.XXX: $\pm .015$ ANGLE: $\pm 1^\circ$ DEBURR ALL SHARP EDGES. ALL MACHINED SURFACES TO HAVE A 125 RMS FINISH UNLESS NOTED OTHERWISE. THIRD ANGLE PROJECTION	DRAWN BY:	RJP
	CHECKED BY:	CHL
	PROTOTYPE BY:	RJP
	PROTOTYPE DATE:	3/14/2014
	APPROVED FOR PRODUCTION BY:	EJF
	PRODUCTION DATE:	4/7/2017

SALCO PRODUCTS, INC.

PART NAME:
DUST CAP ASSEMBLY 4"

MATERIAL: **SEE BOM**

PROJECT #: **140313** SHEET #: **1 OF 1** SCALE: **3:4**

DRAWING #: **C38590** PART #: **K40SDC1A**