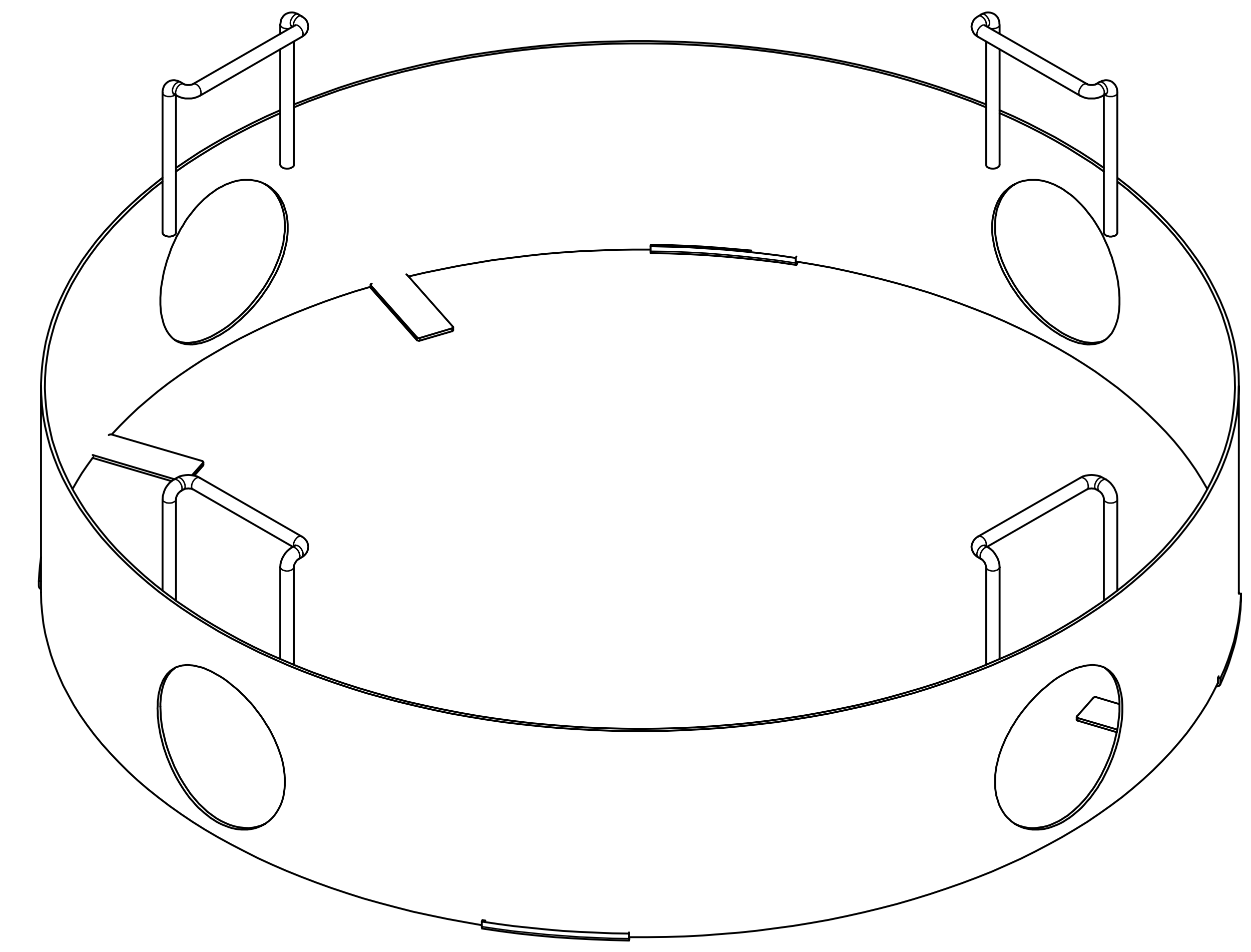
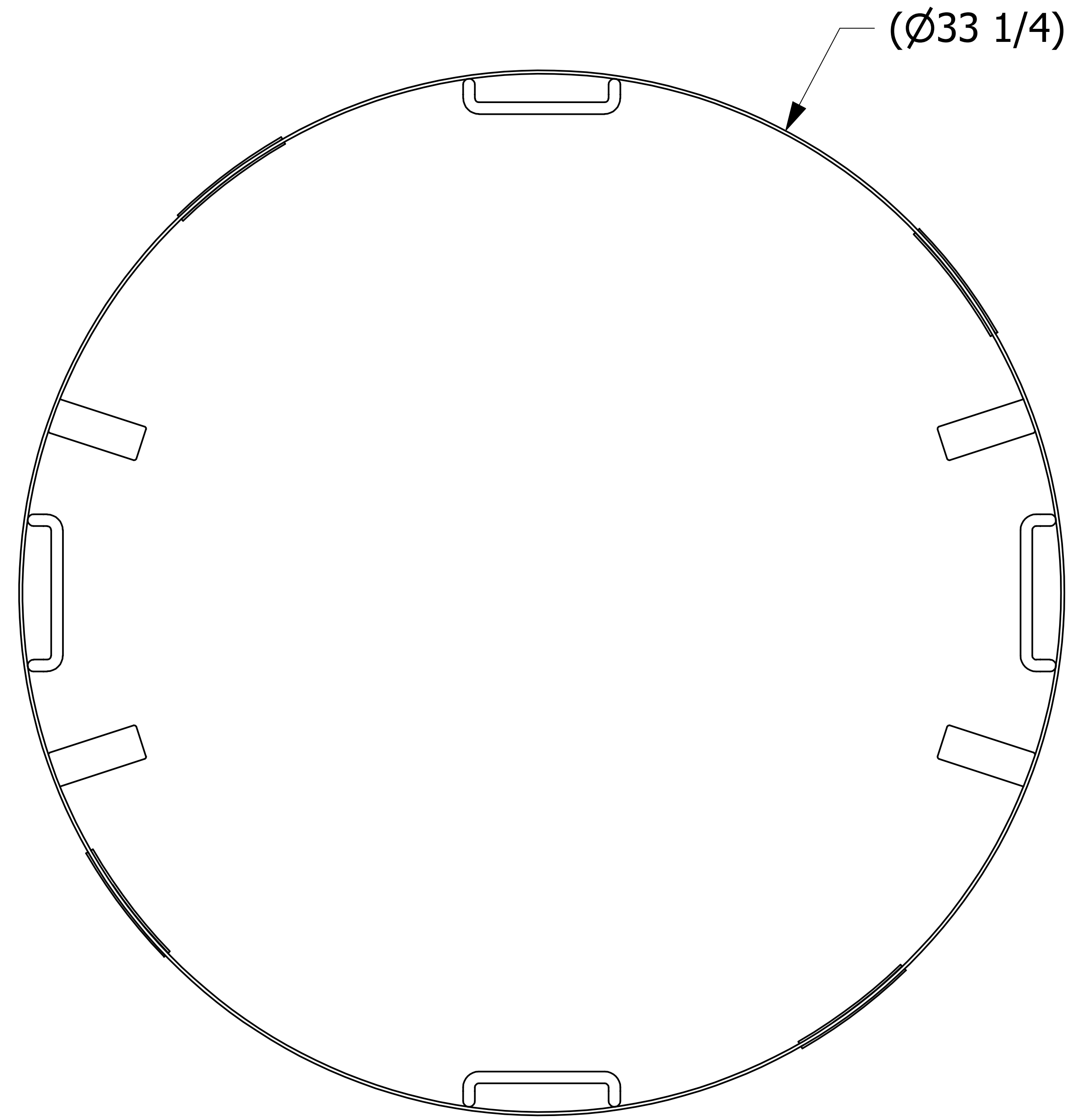
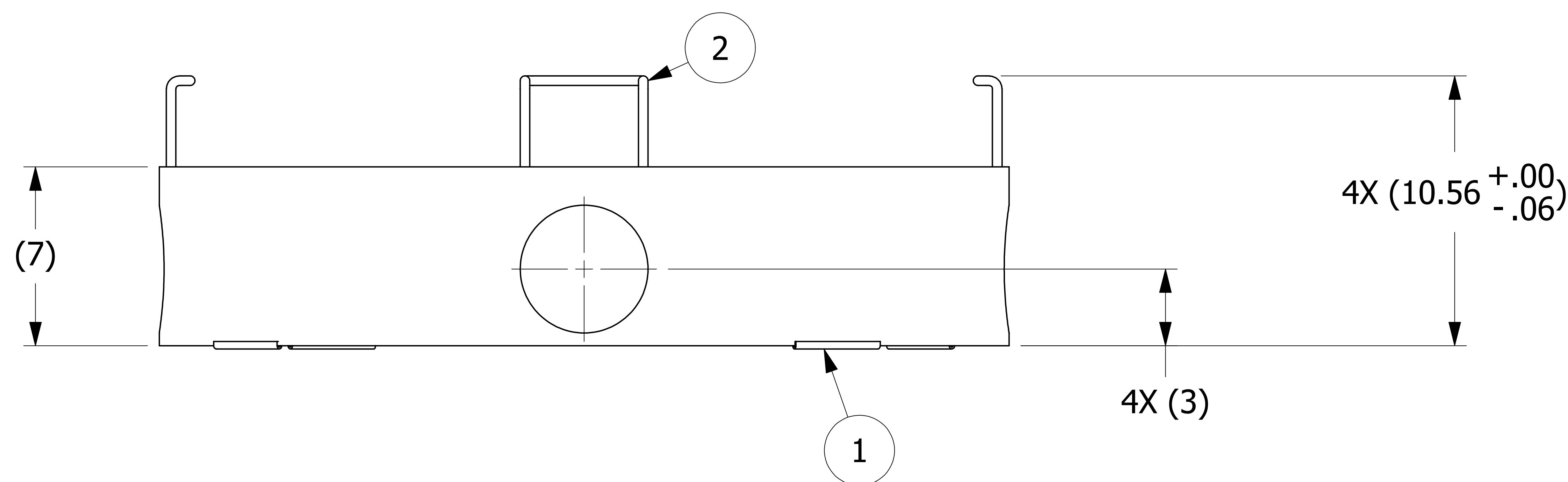


NO.	PART NAME	PART#	REQ'D	MATERIAL
1	EDGE TRIM 1/8"	A21066	4	NEOPRENE
2	SECURITY RING 20"	MB20PR02SNL	1	304 SS
3	LABEL	MBPRLBL	1	VINYL



ISOMETRIC VIEW



NOTES:
 - APPLY LABEL ON INSIDE OF RING, DO NOT PLACE OVER HOLE.
 - GLUE EDGE TRIM TO RING.

A	VD	01-31-11	ADDED PART TO SYSTEM.
REV	BY	DATE	DESCRIPTION

UNLESS OTHERWISE SPECIFIED DIMENSIONAL TOLERANCES	DRAWN BY:	JRS
FRACTIONAL: ±1/16	CHECKED BY:	VD
X.XX: ±.03	PROTOTYPE BY:	JRS
X.XXX: ±.015	PROTOTYPE DATE:	11/16/2010
ANGULAR: ±1°	APPROVED FOR PRODUCTION BY:	
THIRD ANGLE PROJECTION	PRODUCTION DATE:	

SALCO PRODUCTS, INC.		
PART NAME: SECURITY RING 20"		
MATERIAL: 304SS		
PROJECT #: 080922	SHEET #: 1 OF 1	SCALE: 3:8
DRAWING #: E29842	PART #: MB20PR02S	