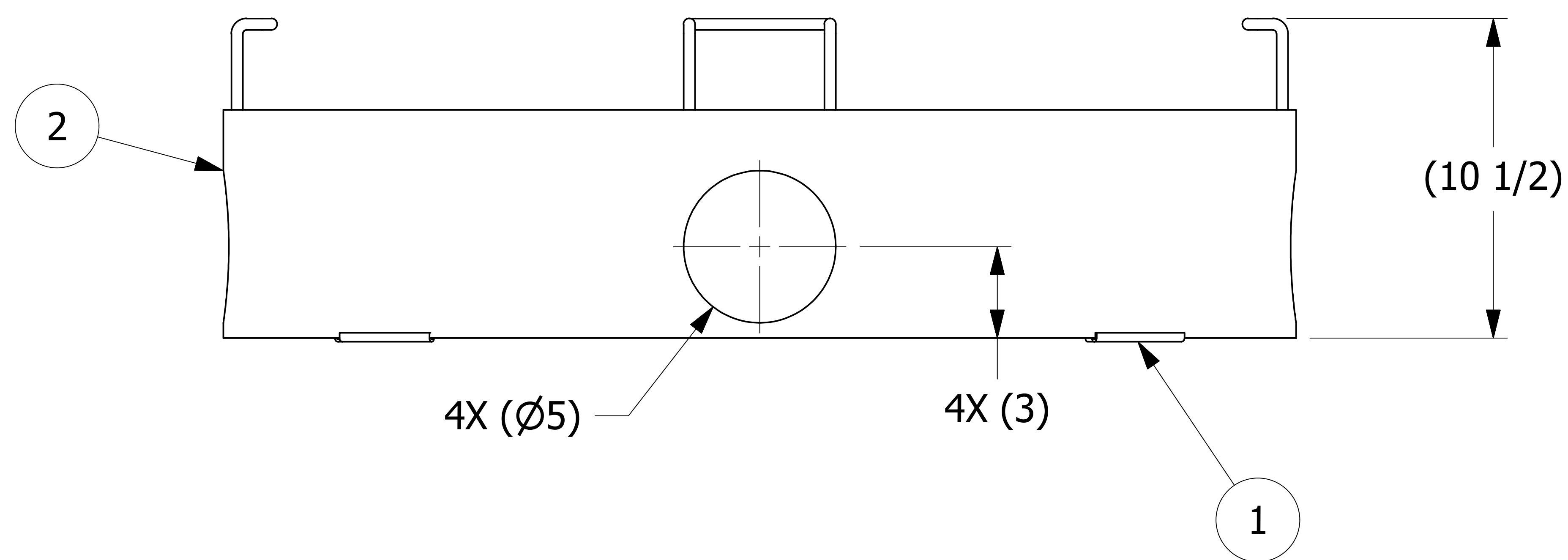
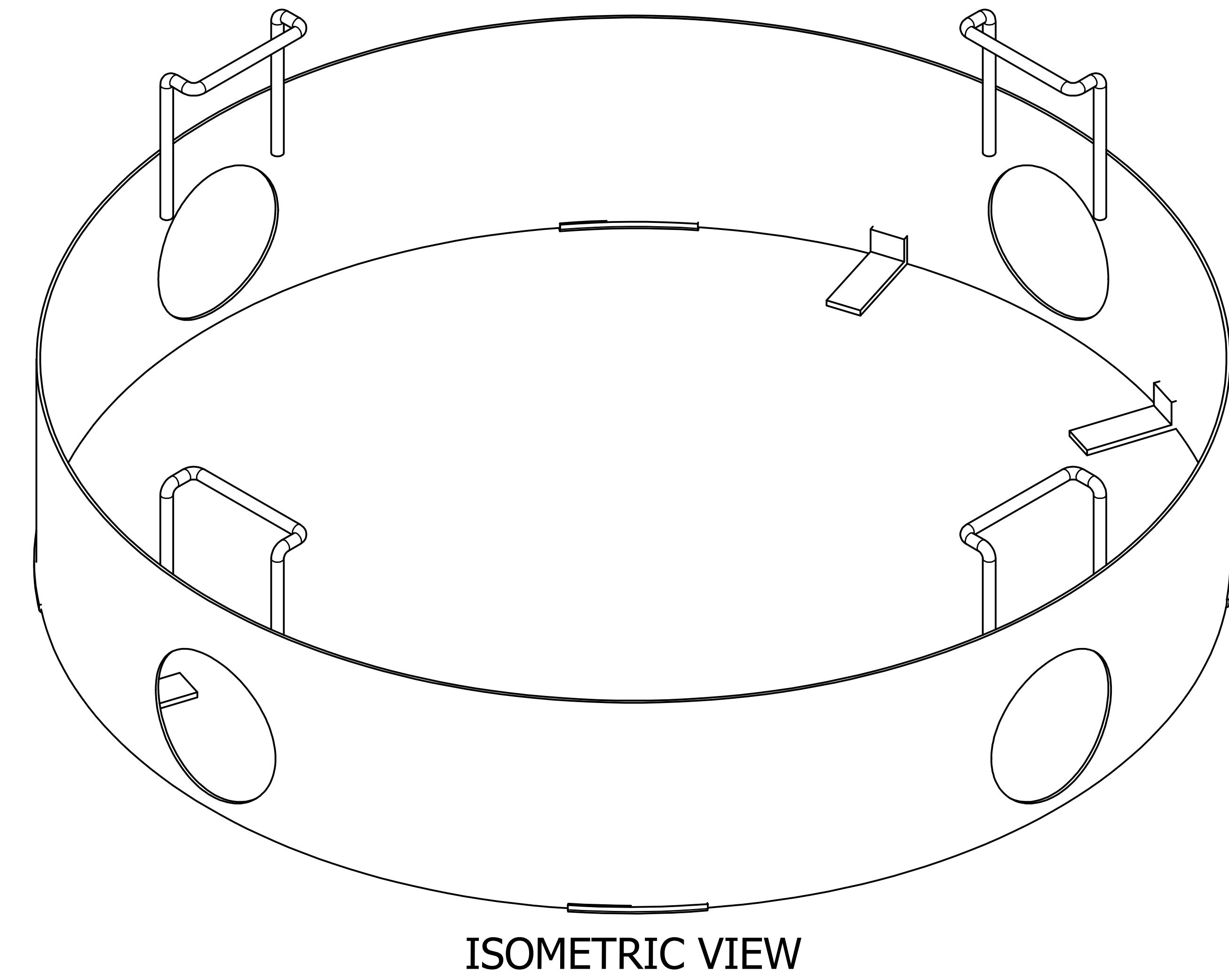
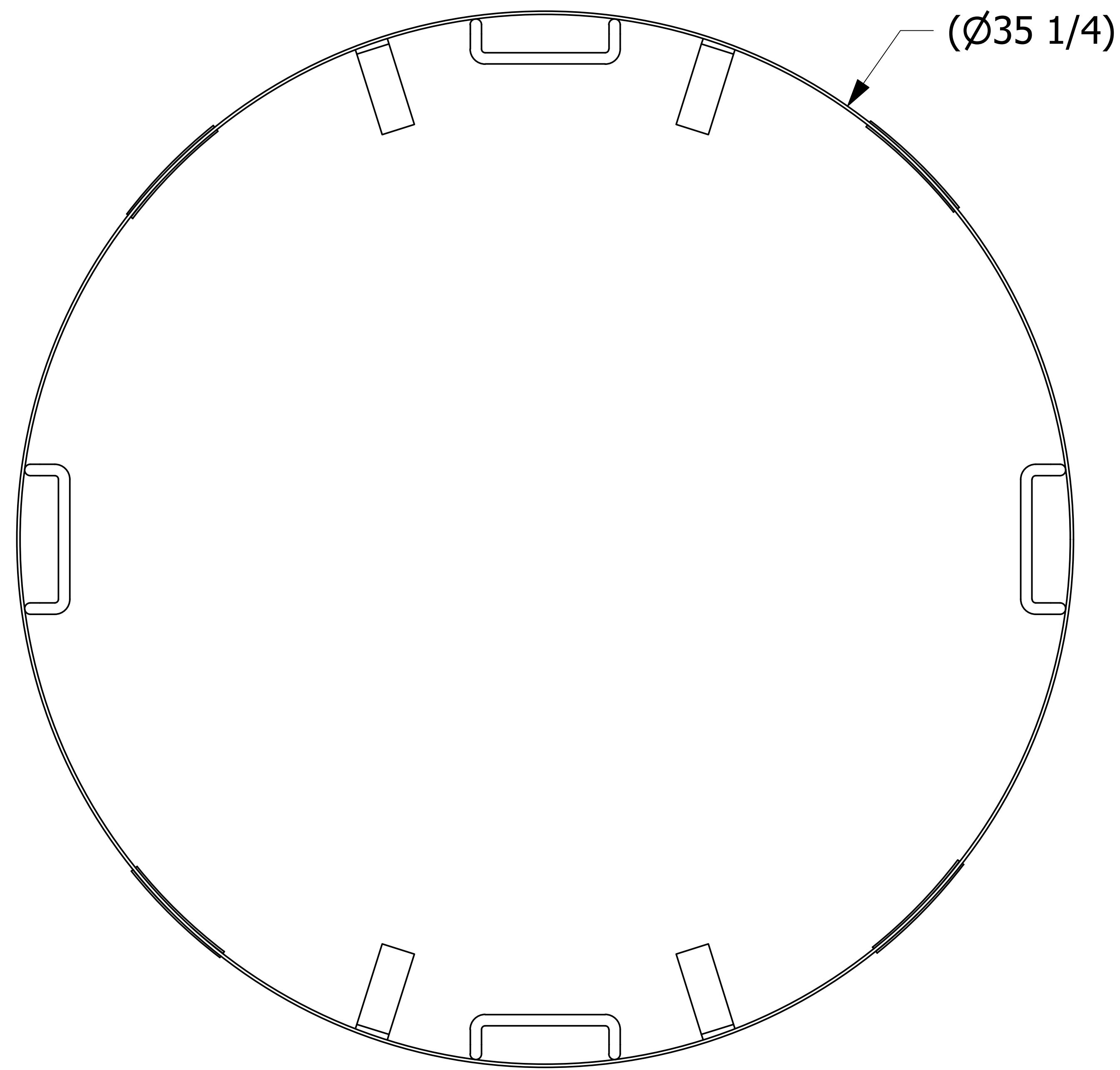


NO.	PART NAME	PART#	REQ'D	MATERIAL
1	EDGE TRIM 1/8"	A21066	4	NEOPRENE
2	SECURITY RING 20"	MB20PR101SNL	1	304 SS
3	LABEL (NOT SHOWN)	MBPRLBL	1	VINYL



NOTES:

1. APPLY LABEL ON INSIDE OF RING, DO NOT PLACE OVER HOLE.
2. GLUE EDGE TRIM TO RING, GLUE REQUIRES 24 HOUR CURE TIME.
- 4 PLACES, EQUALLY SPACED BETWEEN HOLES.
3. FITS ON UTLX 902321 .

REV	BY	DATE	DESCRIPTION
B	BP	12/14/21	UPDATED NOTE 2 ON DRAWING TO INCLUDE 24 HOURS CURE TIME
A	VD	11/12/12	ADDED PART TO SYSTEM.

UNLESS OTHERWISE SPECIFIED DIMENSIONAL TOLERANCES	DRAWN BY:	VD
FRACTIONAL: $\pm 1/16$	CHECKED BY:	WRB
X.XX: $\pm .03$	PROTOTYPE DATE:	10/11/2012
X.XXX: $\pm .015$	APPROVED FOR PRODUCTION BY:	
ANGULAR: $\pm 1^\circ$	PRODUCTION DATE:	
DEBURR ALL SHARP EDGES. ALL MACHINED SURFACES TO HAVE A 125 RMS FINISH UNLESS NOTED OTHERWISE.	SIZE:	E
THIRD ANGLE PROJECTION	DRAWING #:	34336

SALCO PRODUCTS, INC.	
PART NAME: SECURITY RING 20"	
MATERIAL: SEE BOM	
PROJECT #: 080922B	SHEET #: 1 OF 1 SCALE: 3 : 8
PART #: MB20PR101S	