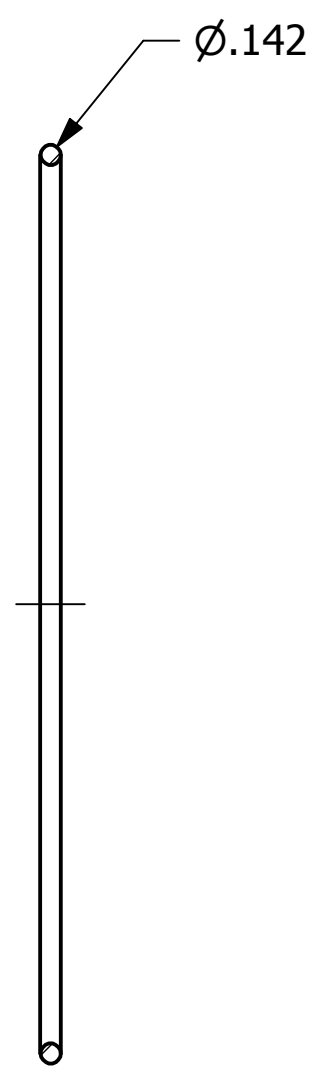
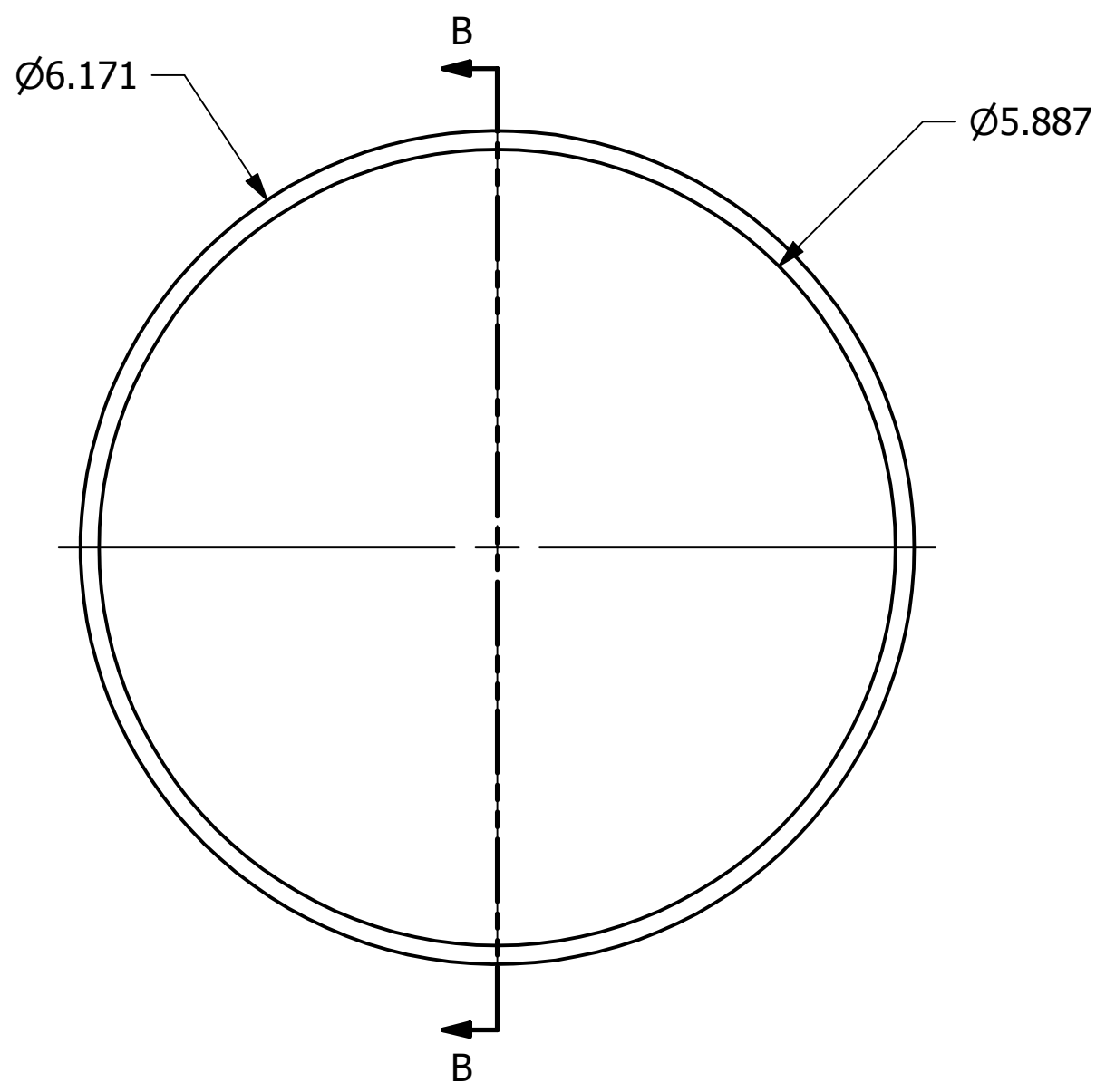



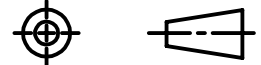
4 3 2 1



SECTION B-B

NOTE:
MATERIAL TO BE SHULMAN POLYVIN 3524 VINYL,
#121 WHITE, 55 DUROMETER

THIS PRINT, PROPERTY OF SALCO PRODUCTS INC., CONTAINS PROPRIETARY INFORMATION AND MUST NOT BE COPIED, REPRODUCED, OR USED DETRIMENTALLY TO OUR INTEREST.

UNLESS OTHERWISE SPECIFIED DIMENSIONAL TOLERANCES		REV BY DATE DESCRIPTION	
FRACTIONAL: ±1/16	DRAWN BY: JJN		
X.XX: ±.03	CHECKED BY: CHL		
X.XXX: ±.015	PROTOTYPE BY: JJN	PART NAME: O-RING	
ANGULAR: ±1°	PROTOTYPE DATE: 3/13/1991	MATERIAL: SEE NOTE	
DEBURR ALL SHARP EDGES. ALL MACHINED SURFACES TO HAVE A 125 RMS FINISH UNLESS NOTED OTHERWISE.	APPROVED FOR PRODUCTION BY: JJN	PROJECT #:	SHEET #: 1 OF 1
THIRD ANGLE PROJECTION	PRODUCTION DATE: 3/13/1991	DRAWING #:	SCALE: 3:4
		B5102	PART #: MTB103OR

B

B

A

A

4 3 2 1