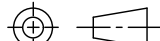


2-11.5 NPT

NOTES:

1. PIPE NIPPLE IS SCH 40.
2. BREAK/DEBURR ALL SHARP CORNERS & EDGES

B	BP	1/24/22	ADDED NOTE TO DRAWING
A	WEB	11/27/19	UPDATED TO CURRENT STANDARDS
REV	BY	DATE	DESCRIPTION

UNLESS OTHERWISE SPECIFIED DIMENSIONAL TOLERANCES FRACTIONAL: $\pm 1/16$ X.XX: $\pm .03$ X.XXX: $\pm .015$ ANGULAR: $\pm 1^\circ$ DEBURR ALL SHARP EDGES. ALL MACHINED SURFACES TO HAVE A 125 RMS FINISH UNLESS NOTED OTHERWISE. THIRD ANGLE PROJECTION 	DRAWN BY:	ACC
	CHECKED BY:	
	PROTOTYPE DATE:	12/12/2001
	APPROVED FOR PRODUCTION BY:	ACC
	PRODUCTION DATE:	1/24/2002
	SIZE:	A
	DRAWING #:	16537

SALCO PRODUCTS, INC.		
PART NAME: PIPE NIPPLE 2"		
MATERIAL: ASTM B429 6061-T6		
PROJECT #: 010325	SHEET #: 1 OF 1	SCALE: 1:1
PART #: N23A		