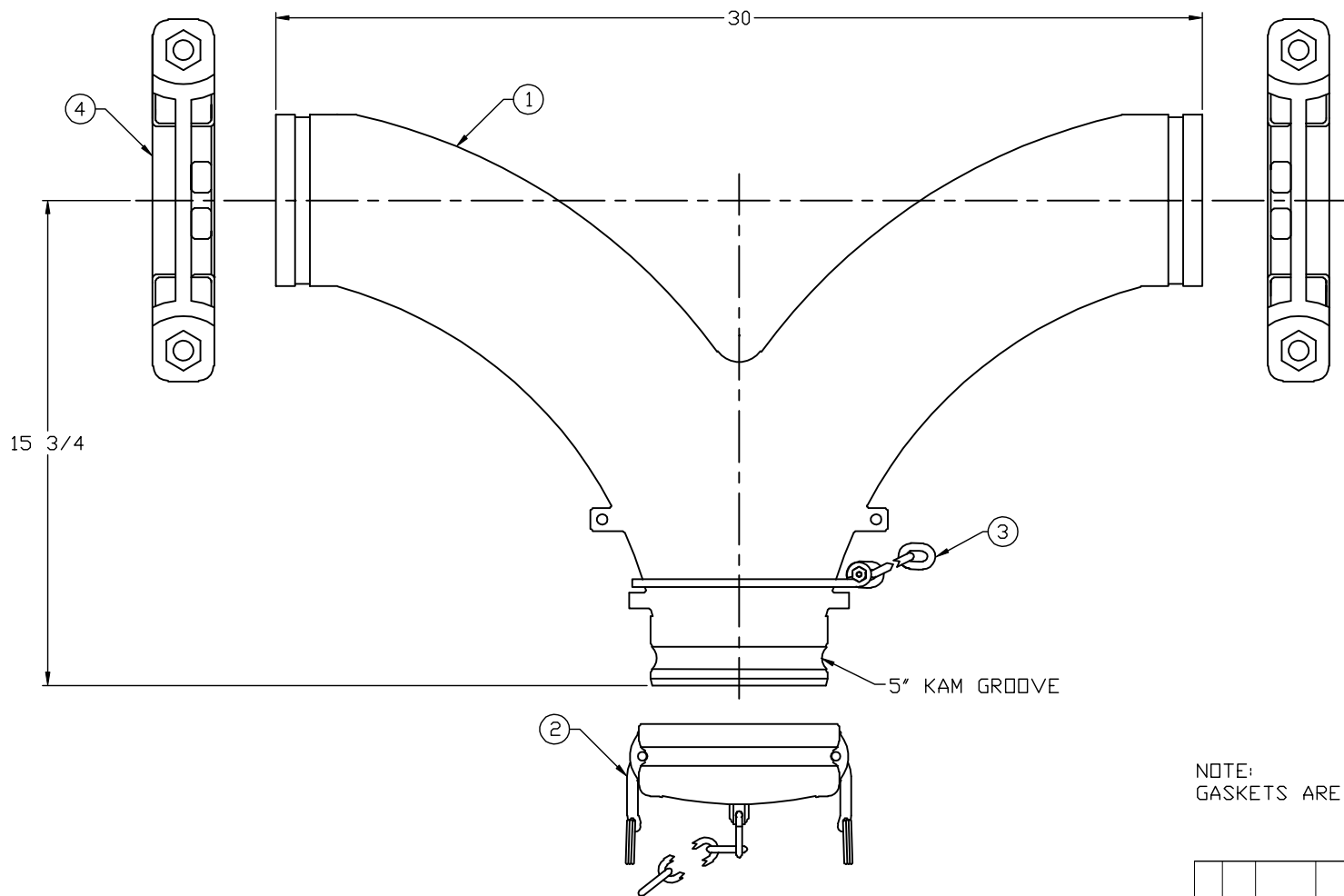


NO	PART NAME	PART #	REQ'D	MATERIAL
1	Y-PIPE 5"	PDA5Y	1	ALUMINUM
2	DUST CAP 5"	PDSPDCA	1	NORYL
3	PIPE SHACKLE 5"	PD5YCSA	1	CS Z/P
4	PIPE CLAMP 5"	PD577CA	2	SEE DWG



NOTE:  
GASKETS ARE FDA WHITE NITRILE

UNLESS OTHERWISE SPECIFIED  
DIMENSIONAL TOLERANCES

FRACTIONAL ±1/16  
X.XX ±0.03  
X.XXX ±0.015  
ANGULAR ±1°

THIS DRAWING IS THE PROPERTY OF SALCO PRODUCTS, INC.  
IT IS TO BE USED FOR THE PROJECT AND DATE SPECIFIED  
HEREIN. IT IS TO BE RETURNED TO THE PROJECT MANAGER  
UPON COMPLETION OF THE PROJECT.

THIRD ANGLE PROJECTION



REV	BY	DATE	DESCRIPTION
<b>SALCO PRODUCTS, INC.</b>			
DRAWN BY: WRB		CHKD BY: ACC	SCALE: 3/4
MATERIAL: SEE BOM		APPROVAL DATE: 3-31-06	
PART NAME: Y-PIPE ASSEMBLY 5"			
PROJECT #:	PROTOTYPE AND DATE:	APPROVED FOR:	
E21757	WRB 3-31-06	ACC	
DRAWING #:		PART #:	
E21757		PDA5PCW02A	