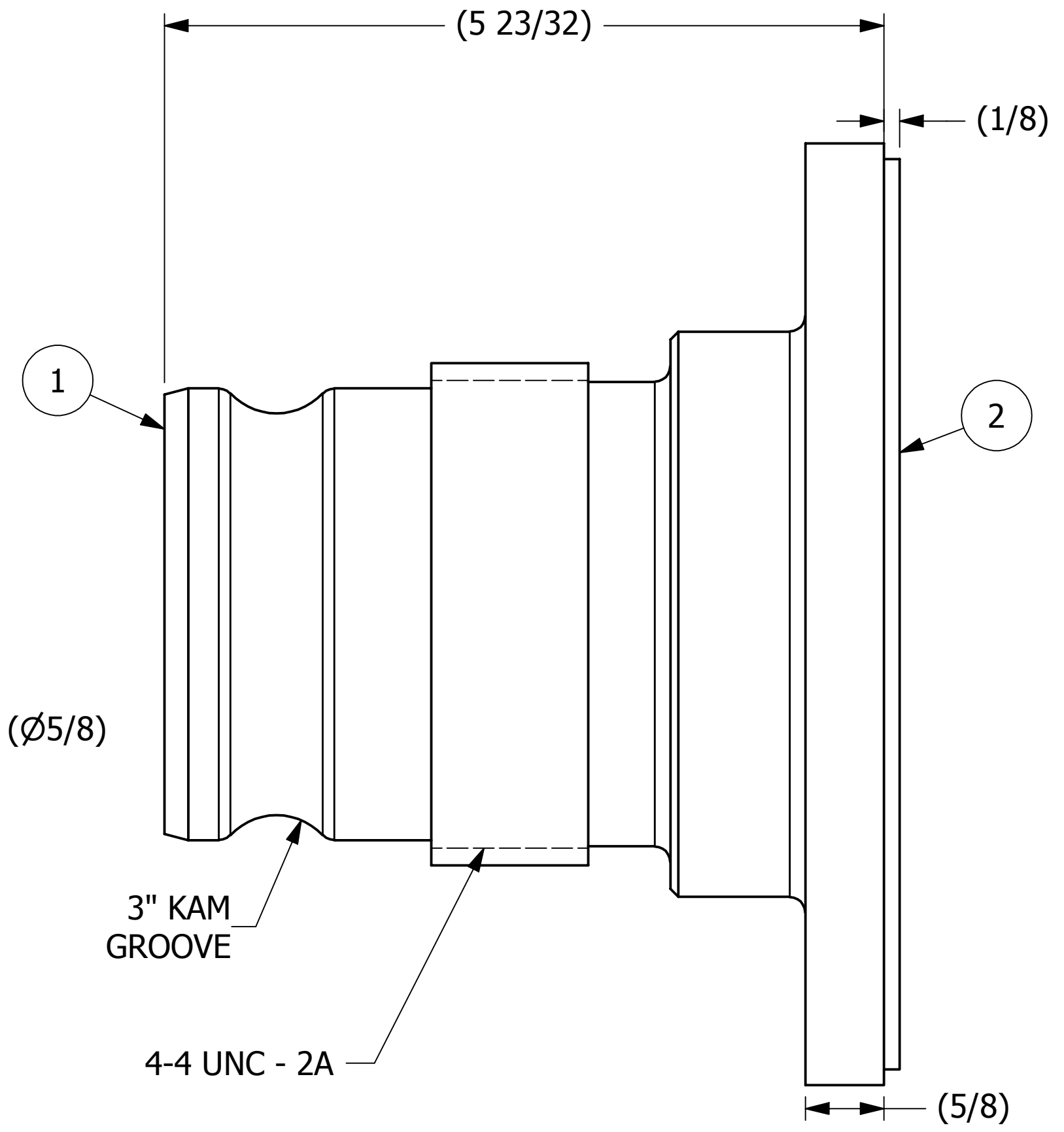
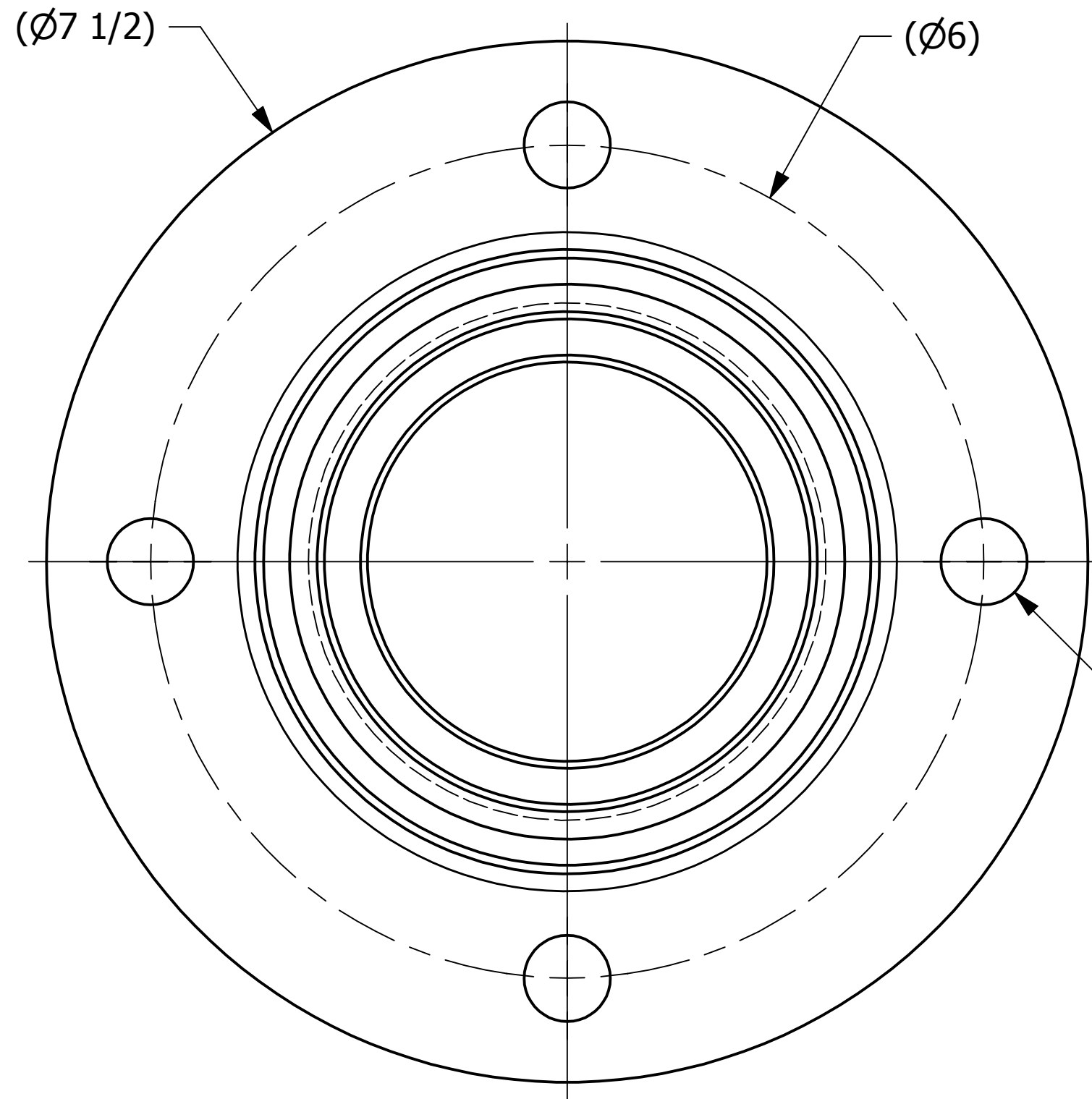


NO.	PART NAME	PART#	REQ'D	MATERIAL
1	QUICK CONNECT ADAPTER 3" FLANGED	TE3S6RF	1	316 SS
2	FLANGE GASKET 3"	TE3FG31	1	GYLON 3504



4X (Ø5/8)

3" KAM GROOVE

4-4 UNC - 2A

- NOTES:
1. AAR APPROVAL # E-149523.
  2. THIS ASSEMBLY IS AAR AND DOT APPROVED.
  3. QUICK DISCONNECT MEETS A-A-59326D.

REV	BY	DATE	DESCRIPTION
B	WEB	7-9-15	ADDED NOTES
A	CHL	9-11-09	NEW PART ADDED TO SYSTEM

UNLESS OTHERWISE SPECIFIED DIMENSIONAL TOLERANCES	DRAWN BY:	CHL
FRACTIONAL: ±1/16	CHECKED BY:	PJG
X.XX: ±.03	PROTOTYPE BY:	CHL
X.XXX: ±.015	PROTOTYPE DATE:	3/26/2009
ANGLE: ±1°	APPROVED FOR PRODUCTION BY:	PJG
THIS PRINT, PROPERTY OF SALCO PRODUCTS INC, CONTAINS PROPRIETARY INFORMATION AND MUST NOT BE COPIED, REPRODUCED, OR USED DETRIMENTALLY TO OUR INTEREST.	PRODUCTION DATE:	9/11/2009
THIRD ANGLE PROJECTION		

**SALCO PRODUCTS, INC.**

PART NAME: **QUICK CONNECT 3" FLANGED**

MATERIAL: **SEE BOM**

PROJECT #: **090311** SHEET #: **1 OF 1** SCALE: **1:1**

DRAWING #: **C26637** PART #: **TE3S6RF31**