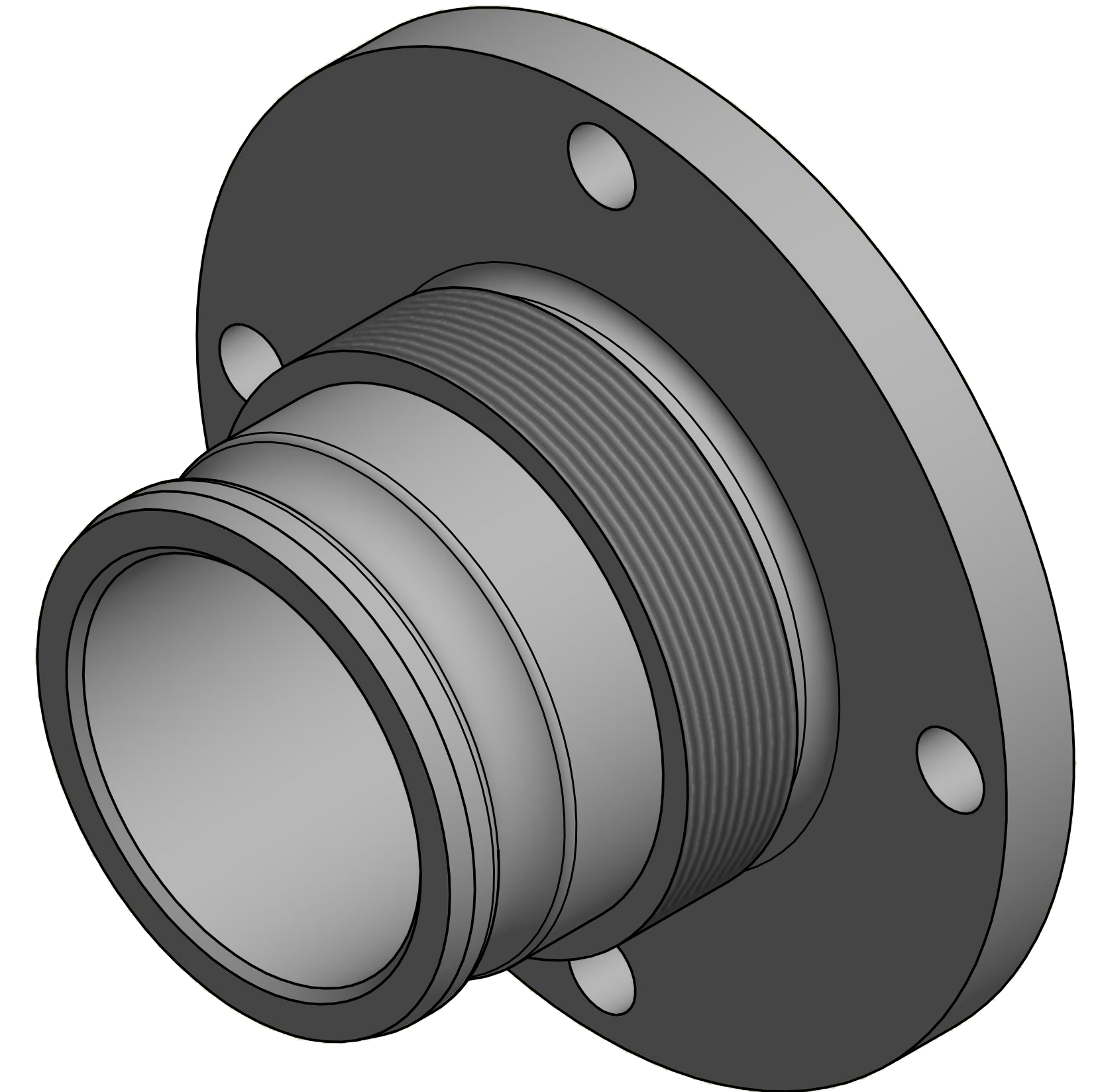
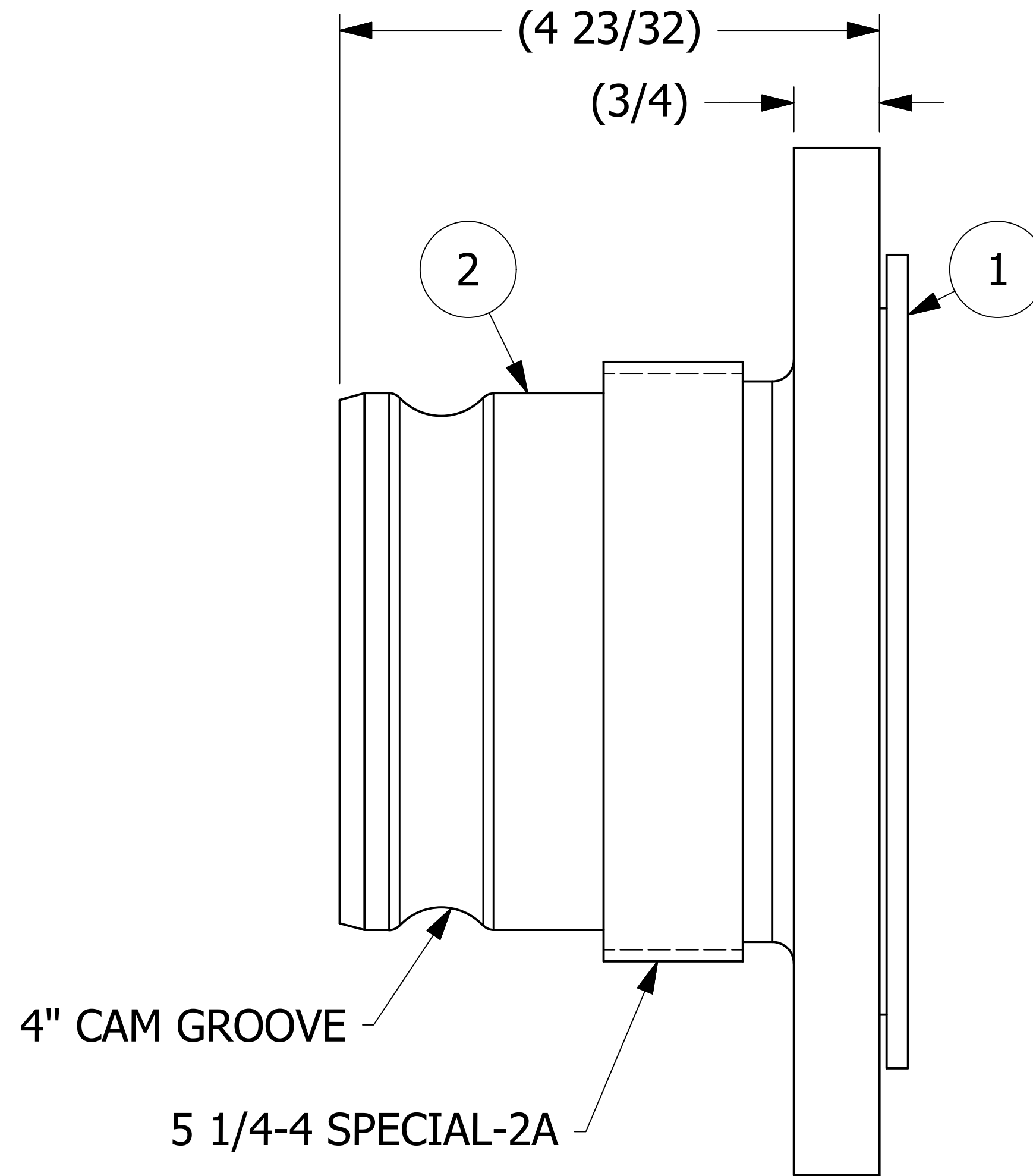
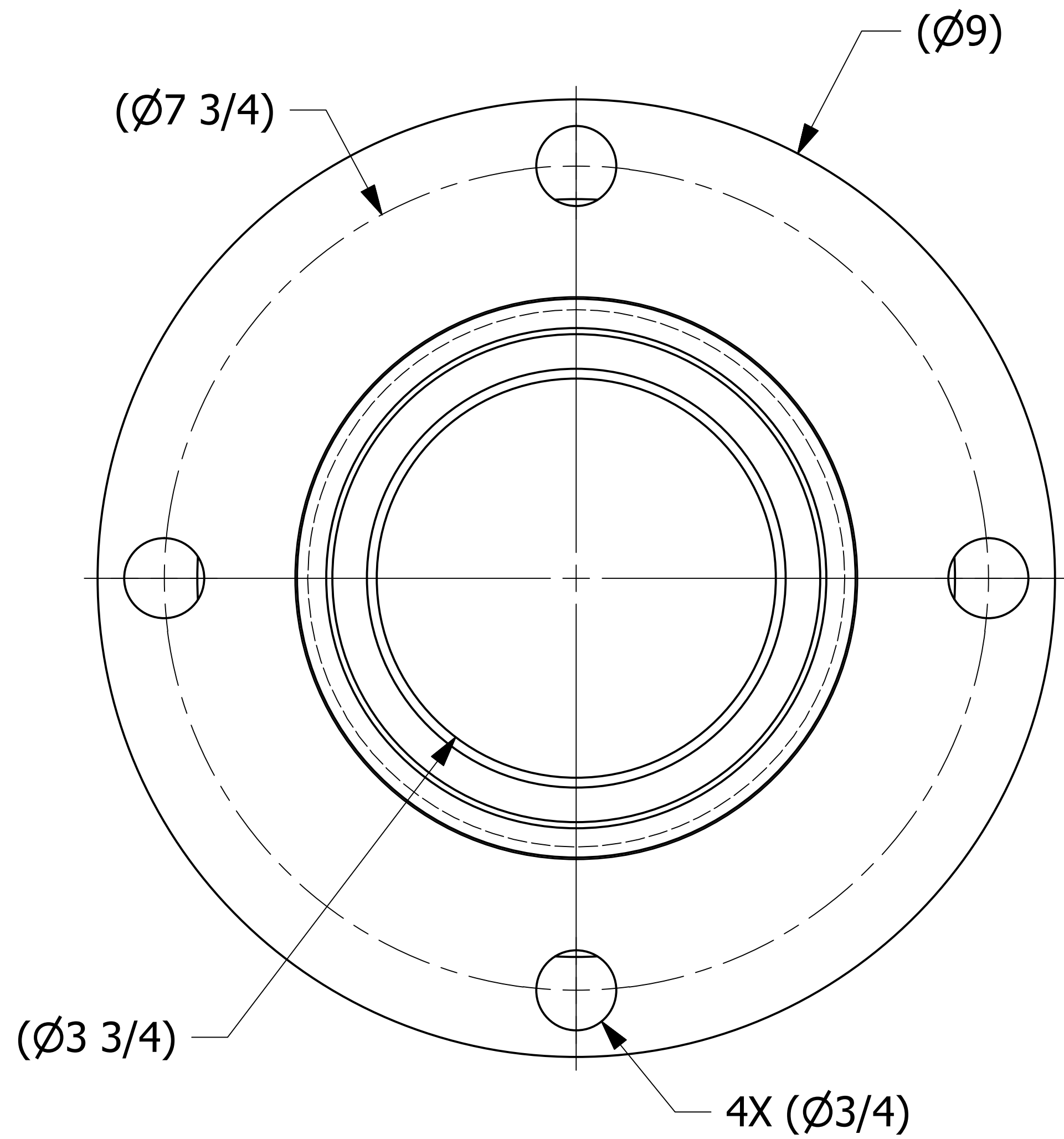


NO.	PART NAME	PART#	REQ'D	MATERIAL
1	FLANGE GASKET 4"	FG7751	1	BLACK NITRILE
2	QUICK CONNECT ADAPTER 4" FLANGED	TE4IUTF	1	DUCTILE IRON



ISOMETRIC VIEW

NOTES:

1. AAR APPROVAL # E-149523.
2. THIS ASSEMBLY IS AAR AND DOT APPROVED.
3. QUICK DISCONNECT MEETS A-A-59326D.
4. ADAPTER THREADS PER FIGURE E.18 IN THE AAR TANK CAR MANUAL.
5. SPRAY WITH UDSA APPROVED WHITE MINERAL OIL OR VEGETABLE OIL AS A RUST INHIBITOR.

B	CHL	8/24/21	UPDATED TITLEBLOCK, ADDED NOTE #5
A	WEB	12/7/15	A-A-59326D WAS MIL-C-27487G, E-149523 WAS E-039015
REV	BY	DATE	DESCRIPTION

UNLESS OTHERWISE SPECIFIED DIMENSIONAL TOLERANCES FRACTIONAL: $\pm 1/16$ X.XX: $\pm .03$ X.XXX: $\pm .015$ ANGULAR: $\pm 1^\circ$ DEBURR ALL SHARP EDGES. ALL MACHINED SURFACES TO HAVE A 125 RMS FINISH UNLESS NOTED OTHERWISE. THIRD ANGLE PROJECTION	DRAWN BY:	CHL
	CHECKED BY:	ACC
	PROTOTYPE DATE:	9/6/2002
	APPROVED FOR PRODUCTION BY:	ACC
	PRODUCTION DATE:	11/7/2002
	SIZE:	D
DRAWING #:	17275	

<b>SALCO PRODUCTS, INC.</b>	
<b>QUICK CONNECT ADAPTER 4" FLANGED</b>	
SEE BOM	
SHEET #:	1 OF 1
SCALE:	1 : 1
<b>TE4IUTF1</b>	