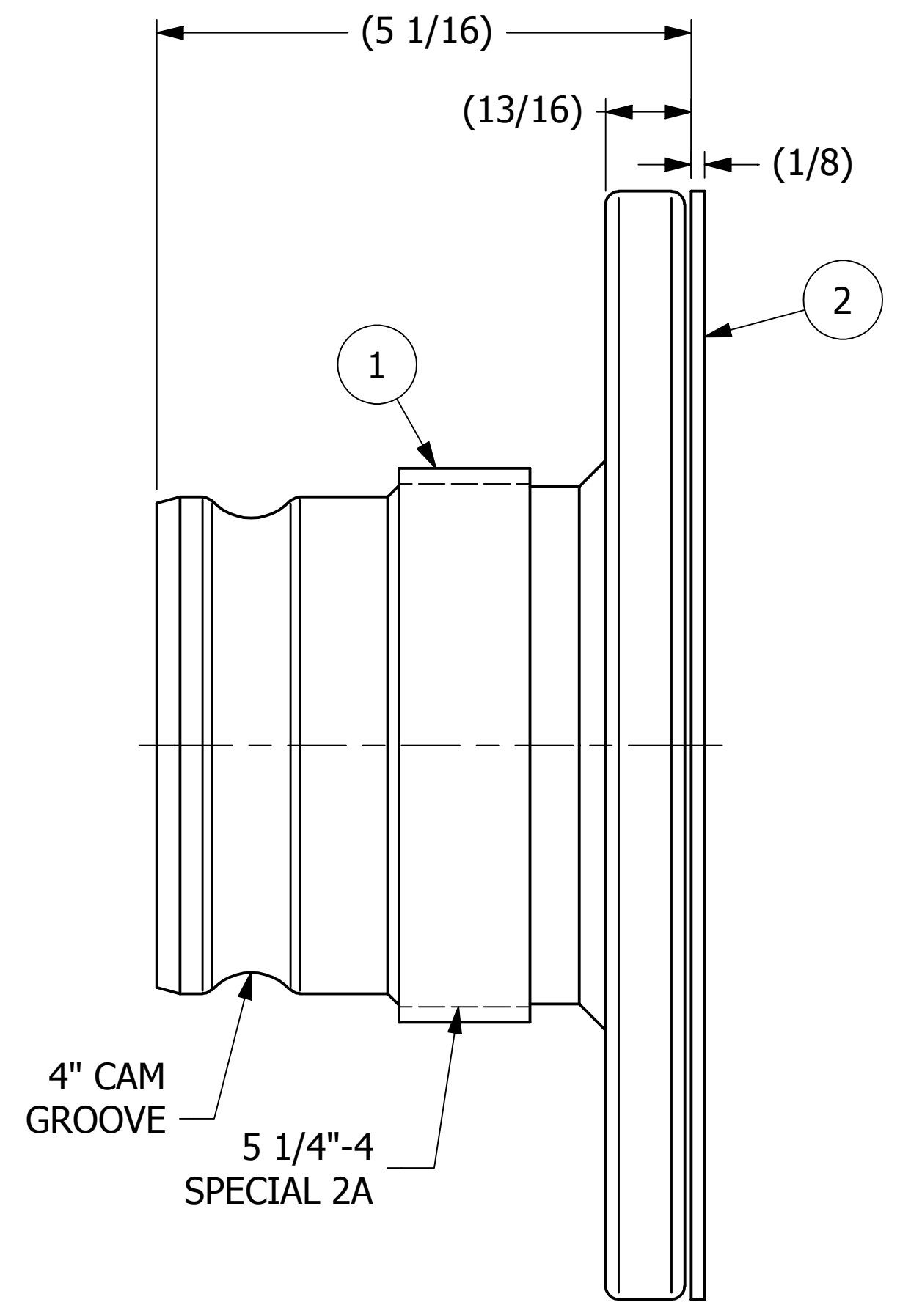
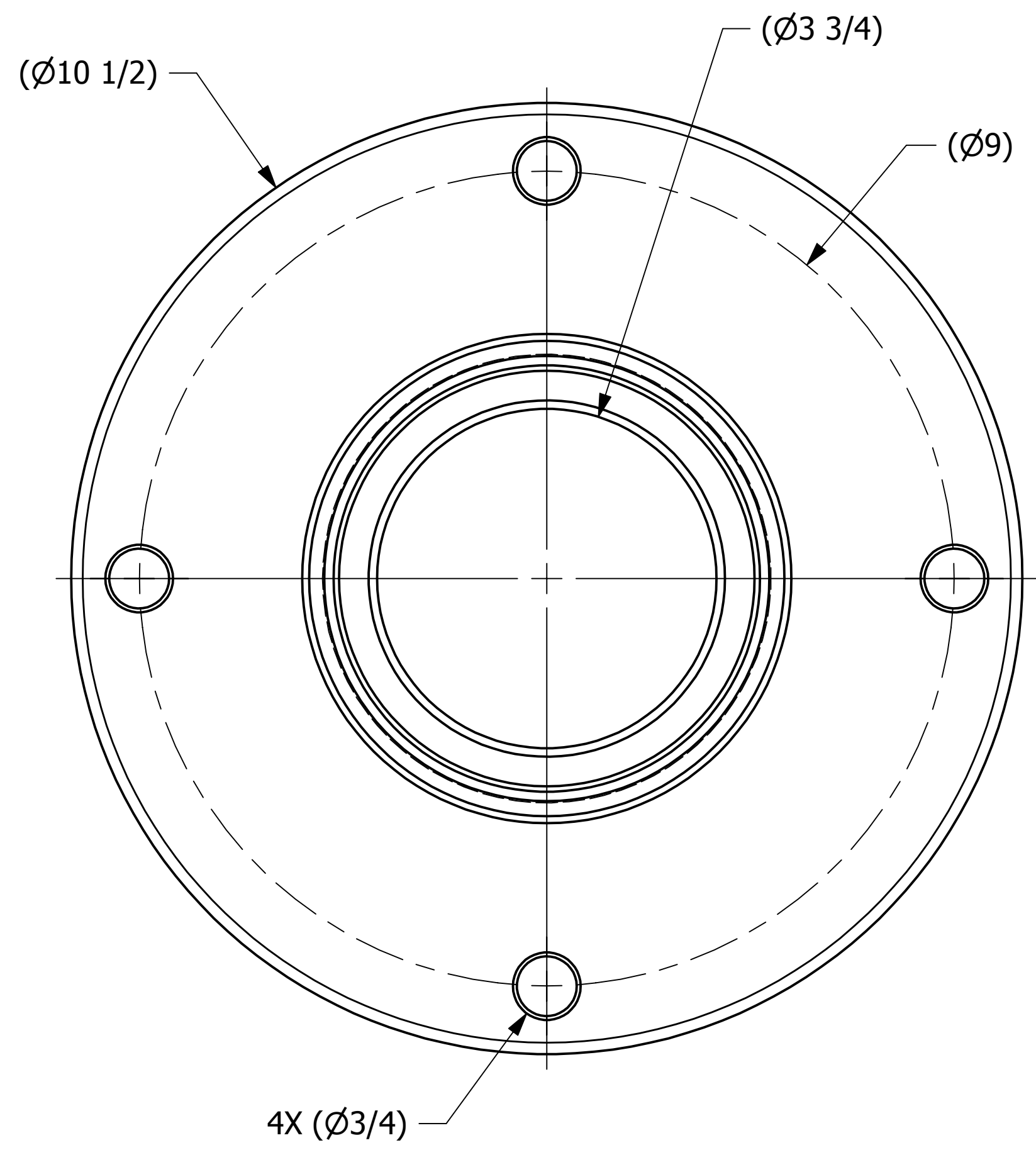


NO.	PART NAME	PART#	REQ'D	MATERIAL
1	QUICK CONNECT ADAPTER 4" FLANGED	TE4SF	1	316 SS
2	FLANGE GASKET 3"	TE3FG9G	1	WHITE PTFE



- NOTES:
1. THIS ASSEMBLY IS AAR AND DOT APPROVED.
 2. AAR APPROVAL # E-149523.
 3. QUICK DISCONNECT MEETS A-A-59326D.
 4. ADAPTER THREADS PER FIGURE E18 IN THE AAR TANK CAR MANUAL.

REV	BY	DATE	DESCRIPTION
A	RJP	2-18-16	RELEASED FOR PRODUCTION

SALCO PRODUCTS, INC.
 PART NAME: **QUICK CONNECT ADAPTER 4" FLANGED**
 MATERIAL: **SEE BOM**
 PROJECT #: **R151214F** SHEET #: **1 OF 1** SCALE: **3:4**
 DRAWING #: **C42911** PART #: **TE4SF9G**

<small>UNLESS OTHERWISE SPECIFIED DIMENSIONAL TOLERANCES FRACTIONAL: $\pm 1/16$ X.XX: $\pm .03$ X.XXX: $\pm .015$ ANGLE: $\pm 1^\circ$ DEBURR ALL SHARP EDGES. ALL MACHINED SURFACES TO HAVE A 125 RMS FINISH UNLESS NOTED OTHERWISE.</small>	DRAWN BY:	RJP
	CHECKED BY:	CHL
	PROTOTYPE BY:	RJP
	PROTOTYPE DATE:	12/14/2015
	APPROVED FOR PRODUCTION BY:	CHL
	PRODUCTION DATE:	2/18/2016

THIS PRINT, PROPERTY OF SALCO PRODUCTS INC., CONTAINS PROPRIETARY INFORMATION AND MUST NOT BE COPIED, REPRODUCED, OR USED DETRIMENTALLY TO OUR INTEREST.