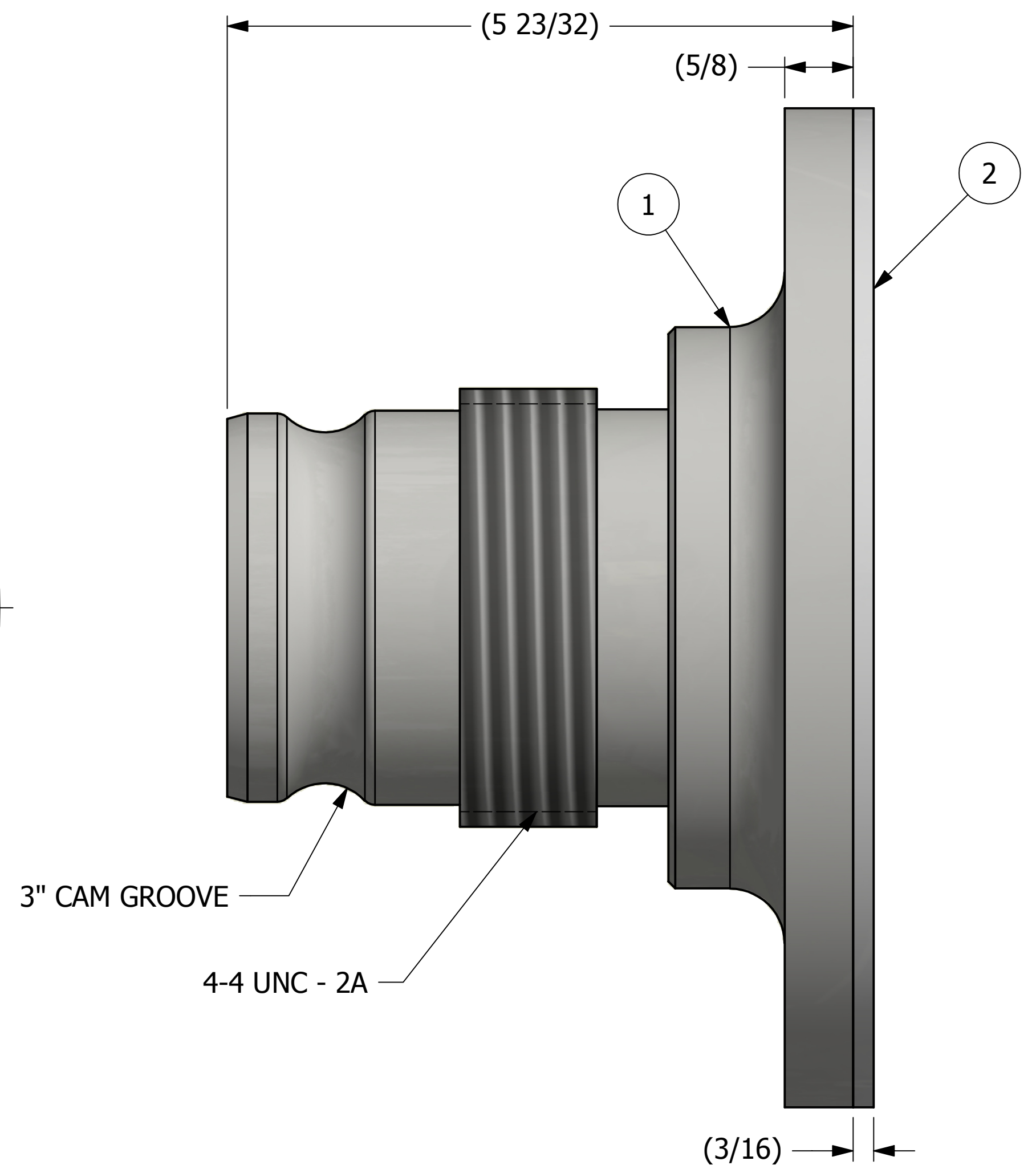
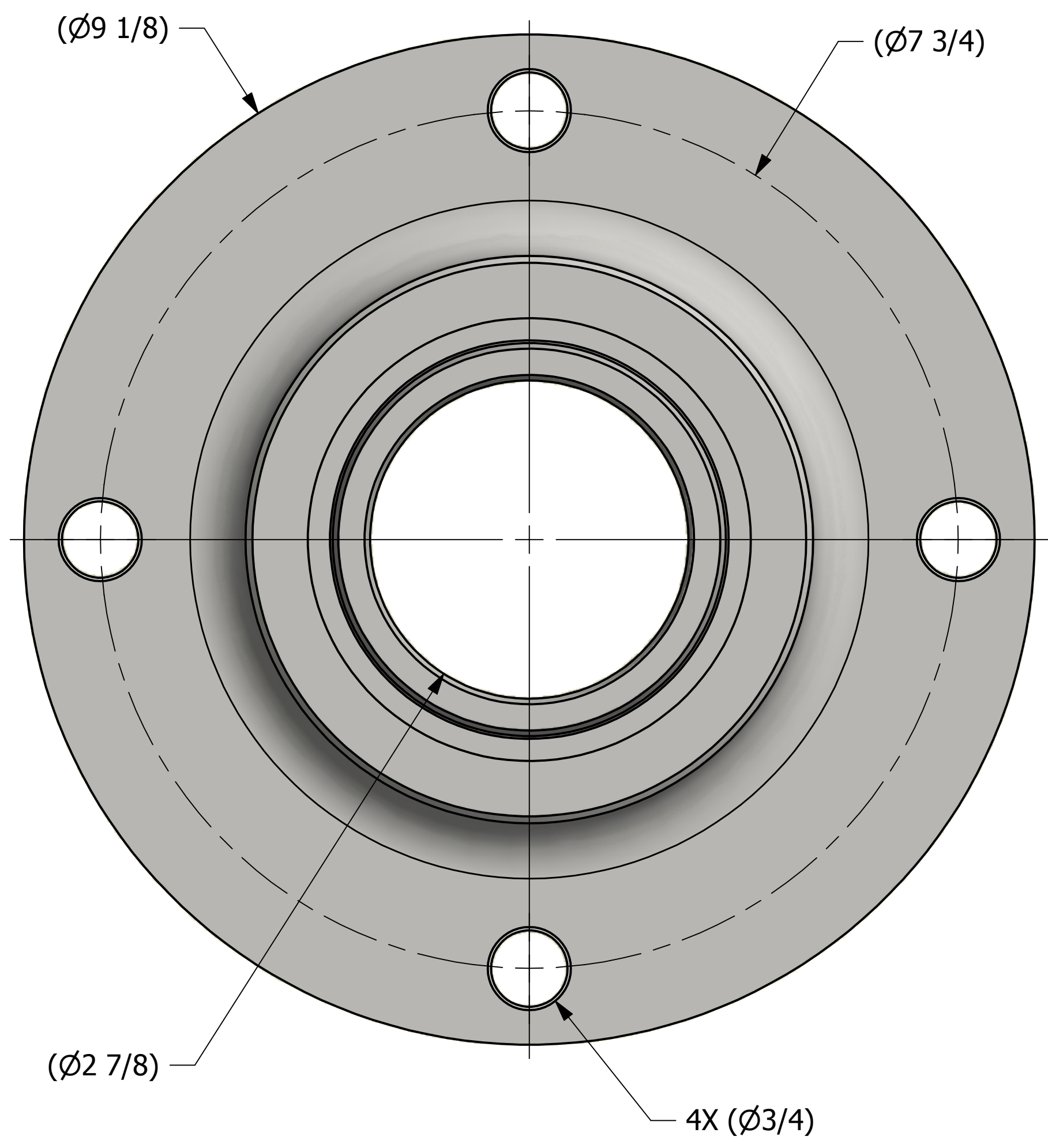


NO.	PART NAME	PART #	REQ'D	MATERIAL
1	QUICK CONNECT ADAPTER 3"X4" FLANGED	TE4X3SFUT	1	316 SS
2	FLANGE GASKET 3"	TE3FGUT8	1	WHITE FDA NEOPRENE



- NOTES:
1. FITS UNION TANK 4" BALL VALVE (7 3/4" B.C.)
 2. AAR APPROVAL # E-149523.
 3. QUICK DISCONNECT MEETS A-A-59326D.
 4. CASTING IS 316 SS AND MEETS ASTM# A743 GRADE CF-8M REQUIREMENTS.

REV	BY	DATE	DESCRIPTION
B	WEB	2-12-15	UPDATED TO CURRENT CAD STANDARDS A-A-59326D WAS MIL-C-27487G E-149523# WAS E-049013
A	CHL	9-11-09	NEW PART ADDED TO SYSTEM

<small>UNLESS OTHERWISE SPECIFIED DIMENSIONAL TOLERANCES FRACTIONAL: ±1/16 X.XX: ±.03 X.XXX: ±.015 ANGLE: ±1° DEBURR ALL SHARP EDGES. ALL MACHINED SURFACES TO HAVE A 125 RMS FINISH UNLESS NOTED OTHERWISE.</small>	DRAWN BY:	BRG
	CHECKED BY:	PJG
	PROTOTYPE BY:	BRG
	PROTOTYPE DATE:	4/25/2008
	APPROVED FOR PRODUCTION BY:	PJG
	PRODUCTION DATE:	9/11/2009

SALCO PRODUCTS, INC.

PART NAME: **QUICK CONNECT ADAPTER 3" FLANGED**

MATERIAL: **SEE BOM**

PROJECT #: **WAG0555** SHEET #: **1 OF 1** SCALE: **1:1**

DRAWING #: **C25192** PART #: **TE4X3SFUT8**