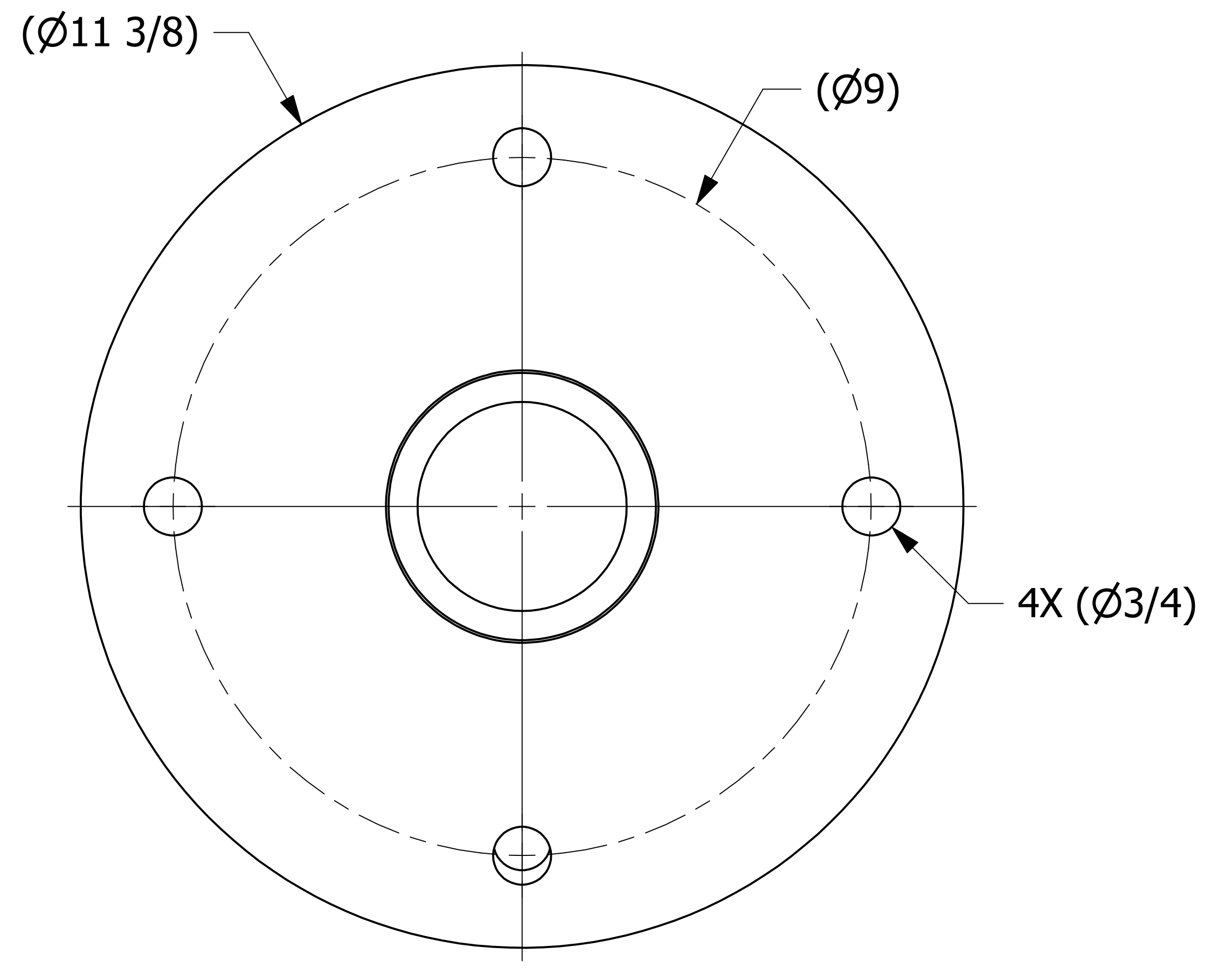
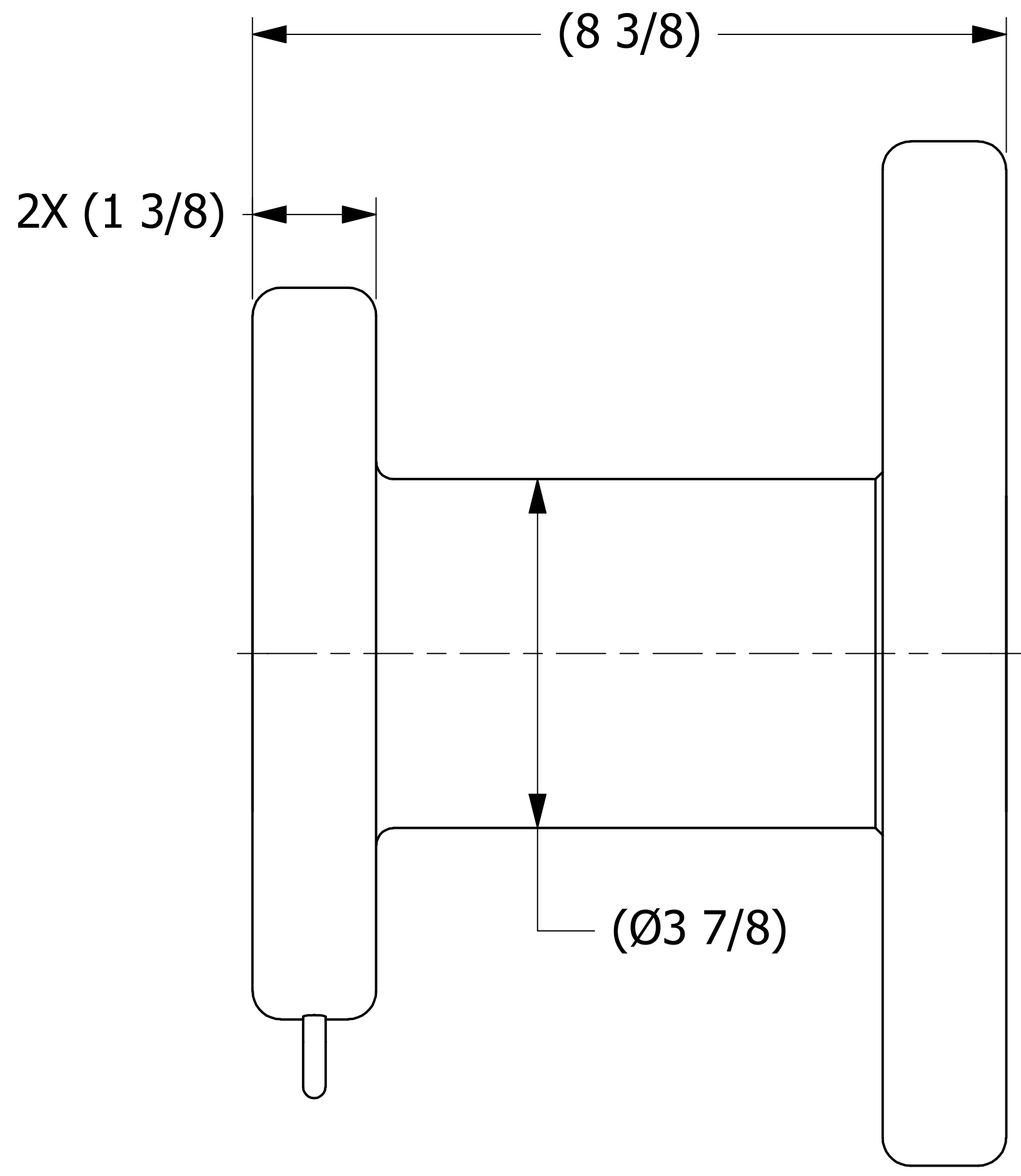
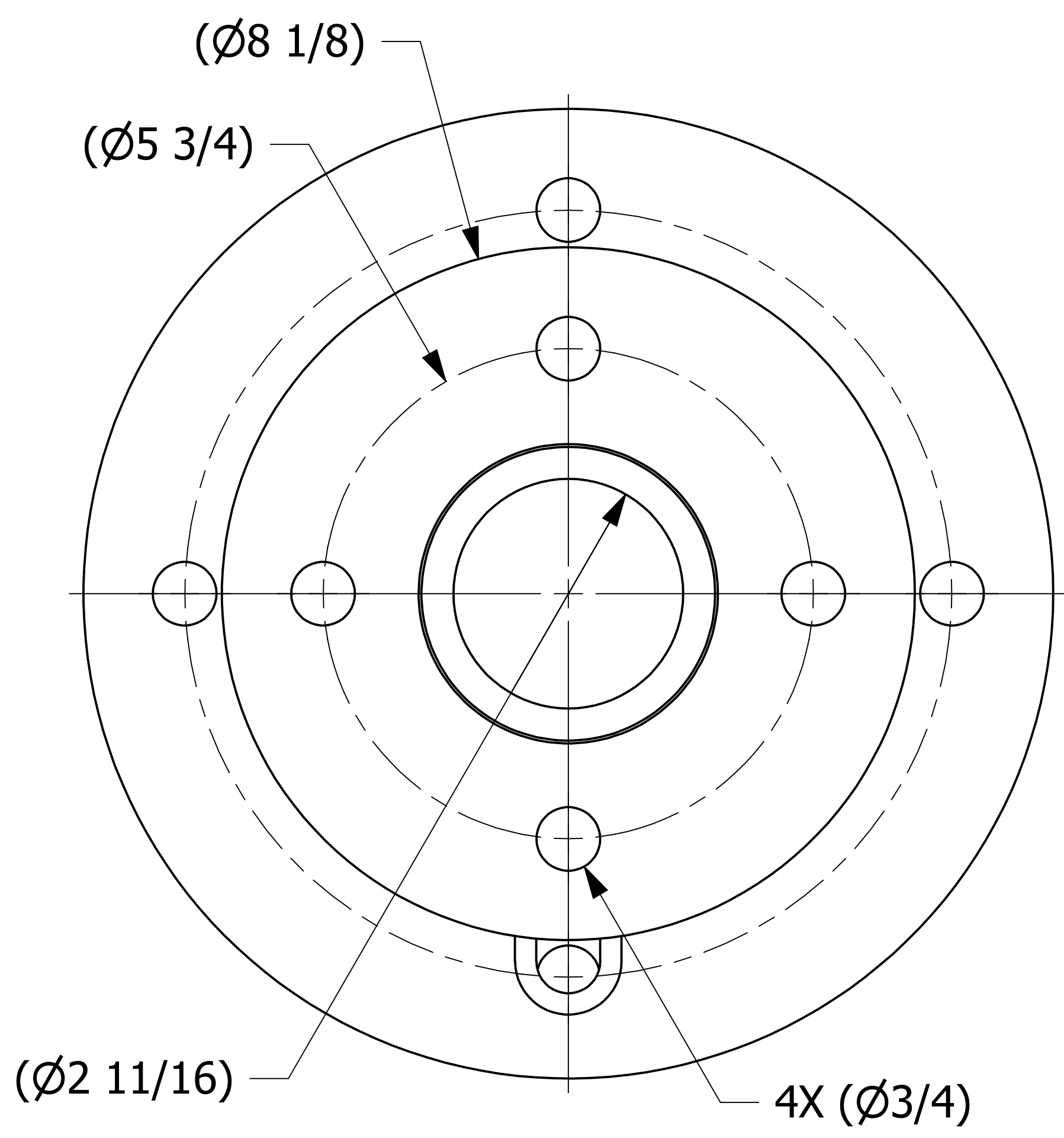


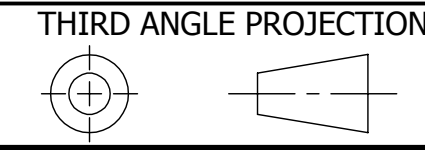
SALES DRAWING SALES DRAWING

SALES DRAWING SALES DRAWING



THIS PRINT, PROPERTY OF SALCO PRODUCTS INC. CONTAINS PROPRIETARY INFORMATION AND MUST NOT BE COPIED, REPRODUCED, OR USED DETRIMENTALLY TO OUR INTEREST.

UNLESS OTHERWISE SPECIFIED  
DIMENSIONAL TOLERANCES  
FRACTIONAL:  $\pm 1/16$   
X.XX:  $\pm .03$   
X.XXX:  $\pm .015$   
ANGULAR:  $\pm 1^\circ$   
DEBURR ALL SHARP EDGES.  
ALL MACHINED SURFACES TO  
HAVE A 125 RMS FINISH  
UNLESS NOTED OTHERWISE.



DRAWN BY:	RJP
CHECKED BY:	CHL
PROTOTYPE BY:	RJP
PROTOTYPE DATE:	11/17/2015
APPROVED FOR PRODUCTION BY:	JRO
PRODUCTION DATE:	11/19/2015

A	RJP	11-19-15	RELEASED FOR PRODUCTION
REV	BY	DATE	DESCRIPTION
<b>SALCO PRODUCTS, INC.</b>			
PART NAME: <b>DOUBLE FLANGE 5 3/4"X9"</b>			
MATERIAL: <b>RUBBER-LINED CARBON STEEL</b>			
PROJECT #:	H151112F2	SHEET #:	1 OF 1
DRAWING #:	D42775	PART #:	DF5759RLB
SCALE: <b>3:4</b>			