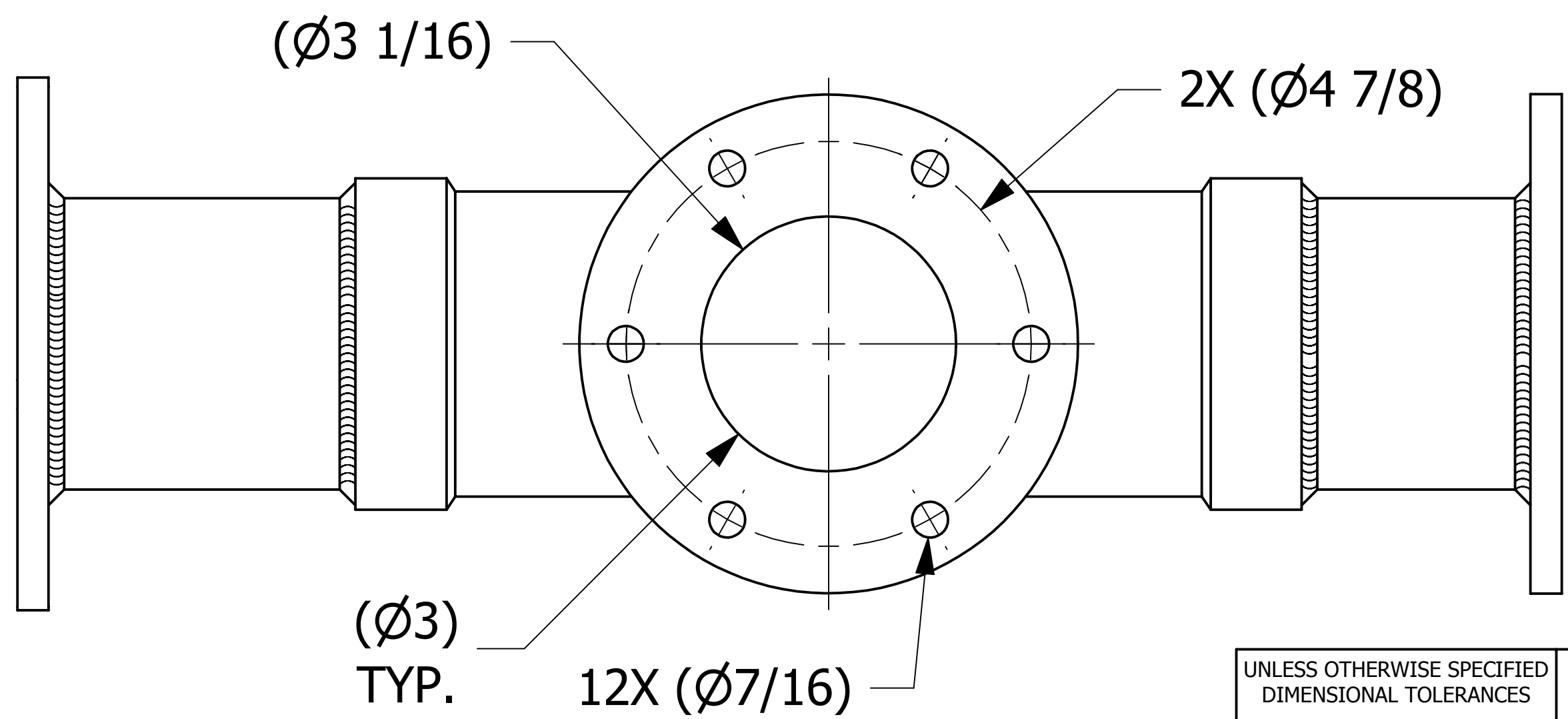
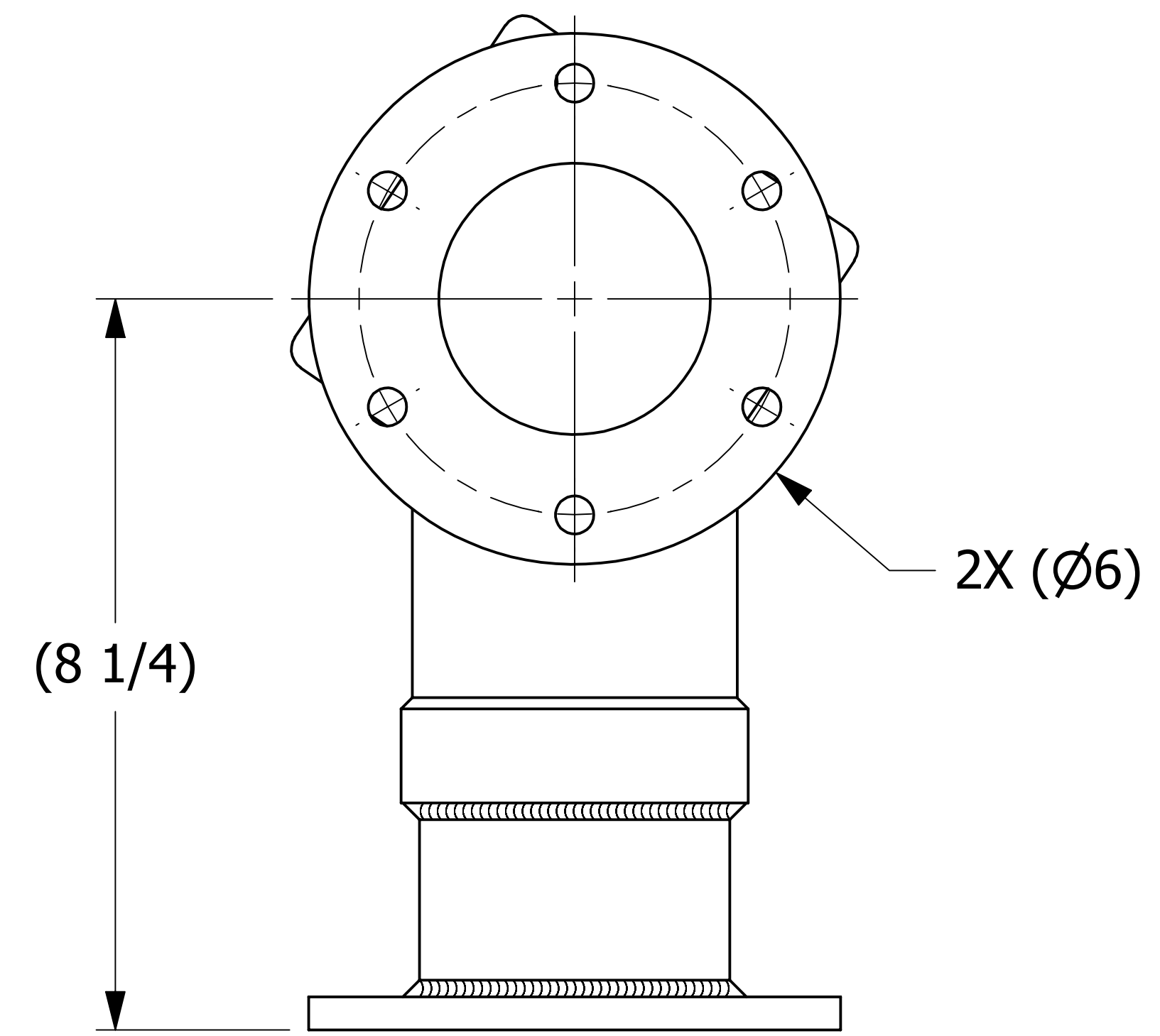
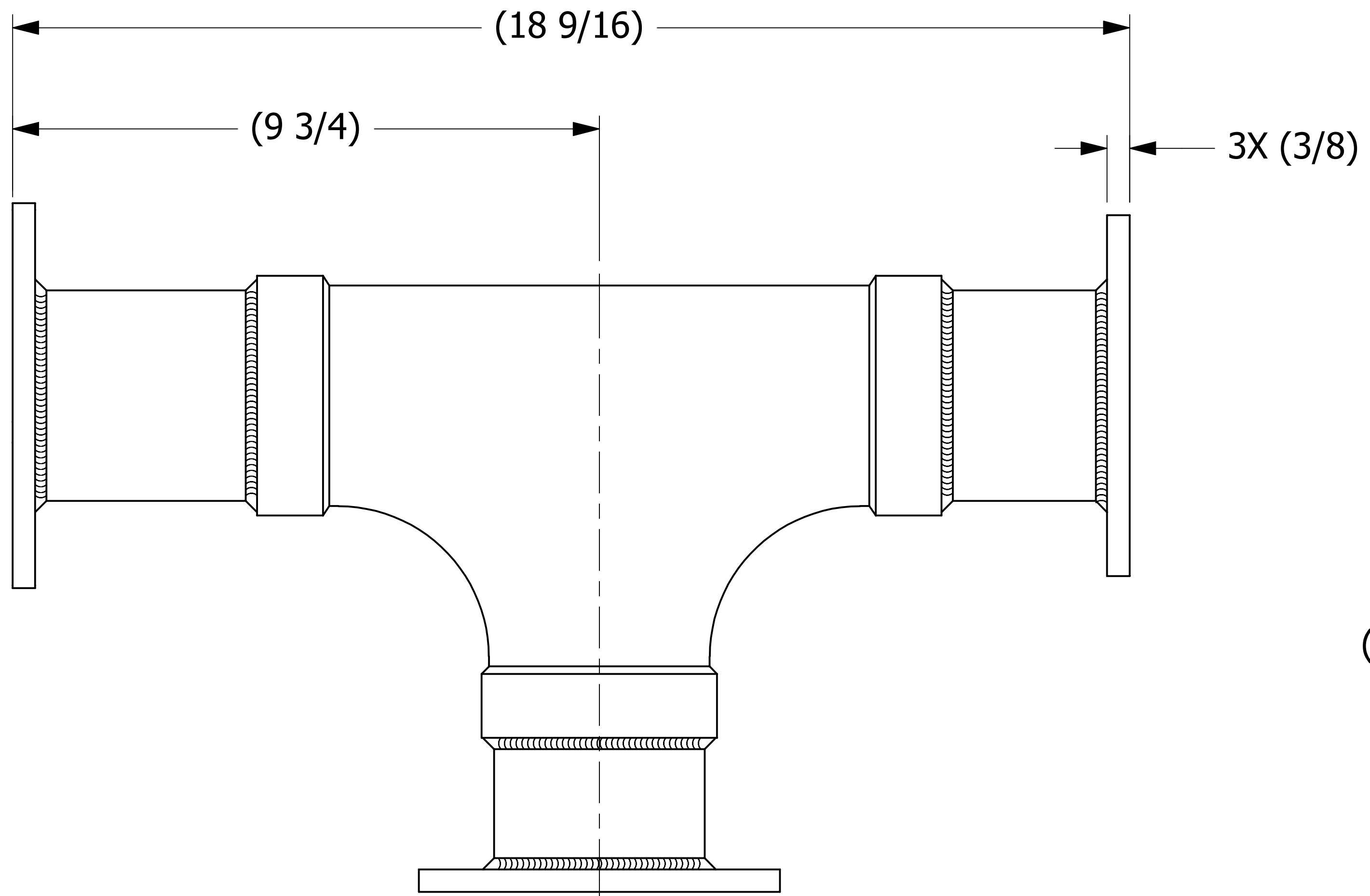
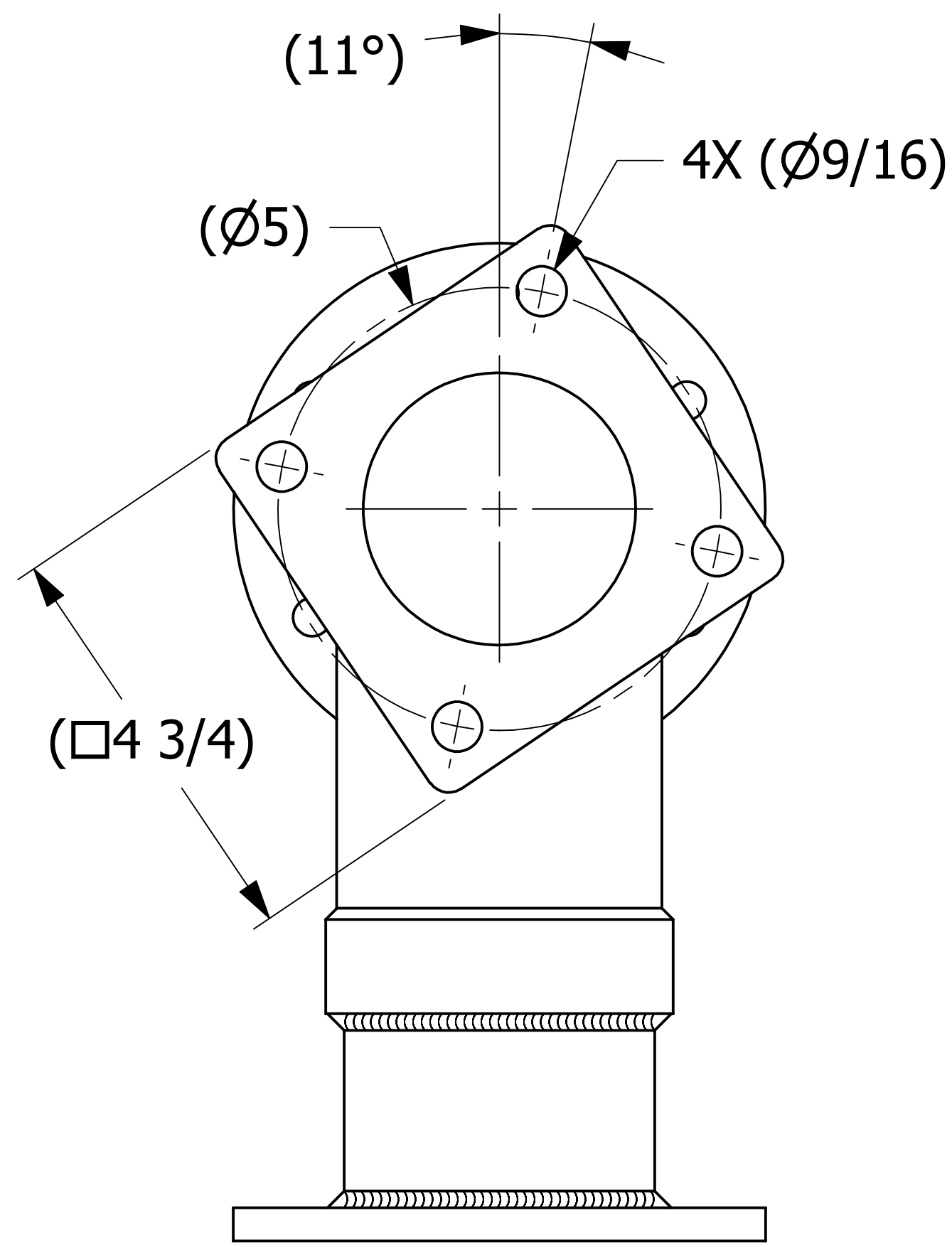


SALES DRAWING SALES DRAWING

SALES DRAWING SALES DRAWING



REV	BY	DATE	DESCRIPTION
D	JG	10-20-17	PD3ASF04 WAS PD3ASF03; PD3ARF07 WAS PDARF04; UPDATED QAP NOTE, TITLE BLOCK, WELD NOTE TO DSS 12
C	WRB	6-13-07	UPDATED TESTING PROCEDURE NOTE
B	WRB	6-11-07	UPDATED WELD NOTE
A	ACC	5-14-07	ADDED PART INTO THE SYSTEM

UNLESS OTHERWISE SPECIFIED DIMENSIONAL TOLERANCES	DRAWN BY:	ACC
FRACTIONAL: ±1/16	CHECKED BY:	
X.XX: ±.03	PROTOTYPE BY:	ACC
X.XXX: ±.015	PROTOTYPE DATE:	1/30/2007
ANGULAR: ±1°	APPROVED FOR PRODUCTION BY:	ACC
DEBURR ALL SHARP EDGES. ALL MACHINED SURFACES TO HAVE A 125 RMS FINISH UNLESS NOTED OTHERWISE.	PRODUCTION DATE:	5/14/2007
THIRD ANGLE PROJECTION		

SALCO PRODUCTS, INC.

PART NAME: **PIPE TEE 3"**

MATERIAL: **ALUMINUM**

PROJECT #: **050706** SHEET #: **1 OF 1** SCALE: **2:3**

DRAWING #: **D23083** PART #: **PD3ABT08**

THIS PRINT, PROPERTY OF SALCO PRODUCTS INC. CONTAINS PROPRIETARY INFORMATION AND MUST NOT BE COPIED, REPRODUCED, OR USED DETRIMENTALLY TO OUR INTEREST.