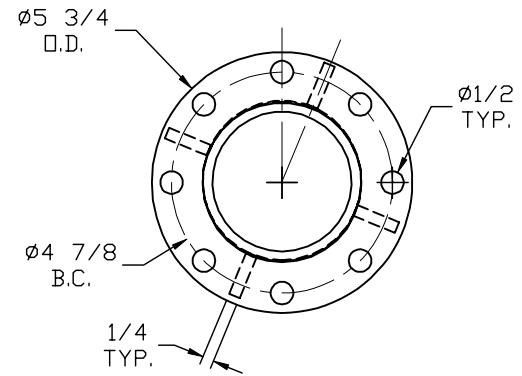
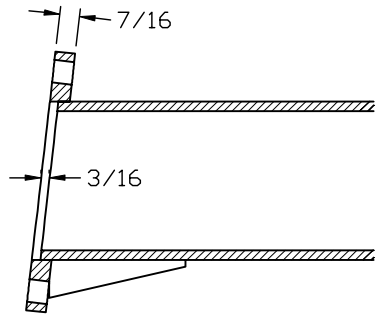
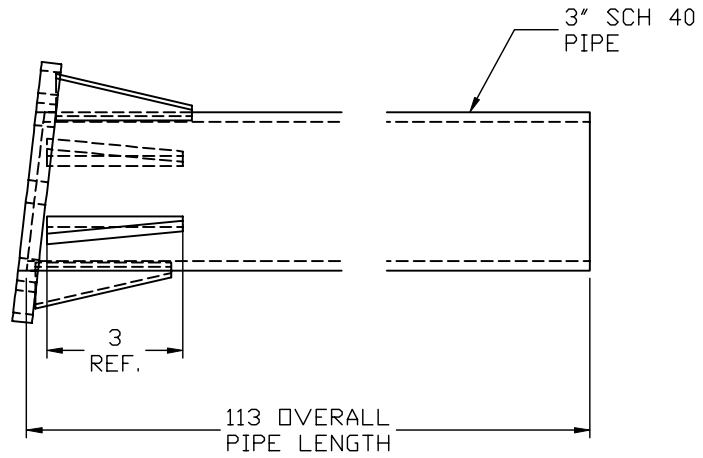


SALES DRAWING SALES



SALES DRAWING SALES

C	BRG	11-16-07	ADDED NOTE
B	ACC	5-30-02	ADDED BDM, PIPE WAS SCH 80
A	ACC	10-3-01	MATERIAL WAS 580 ALUMINUM
REV. BY		DATE	DESCRIPTION

UNLESS OTHERWISE SPECIFIED DIMENSIONAL TOLERANCES	
FRACTIONAL	±1/16
X.XX	±0.03
X.XXX	±0.015
ANGULAR	±1°



DRAWN BY: CHL	CHKD BY: ACC	SCALE: 1:1	APPROVAL DATE: 3-1-01
MATERIAL: 6061-T6 OR 6063-T6 ALUMINUM			
PART NAME: 3" STAND PIPE			

THE PROP. PROPERTY OF SALCO PRODUCTS, INC.
CONTAINS PROPRIETARY INFORMATION AND MUST
NOT BE COPIED, REPRODUCED OR USED
IN WHOLE OR IN PART WITHOUT THE WRITTEN
CONSENT OF SALCO PRODUCTS, INC.

PROJECT # 010215	PROTOTYPE AND DATE:	APPROVED FOR ACC PRODUCTION
------------------	---------------------	-----------------------------

THIRD ANGLE PROJECTION

DRAWING # E15474	PART # PD3ASP100
------------------	------------------