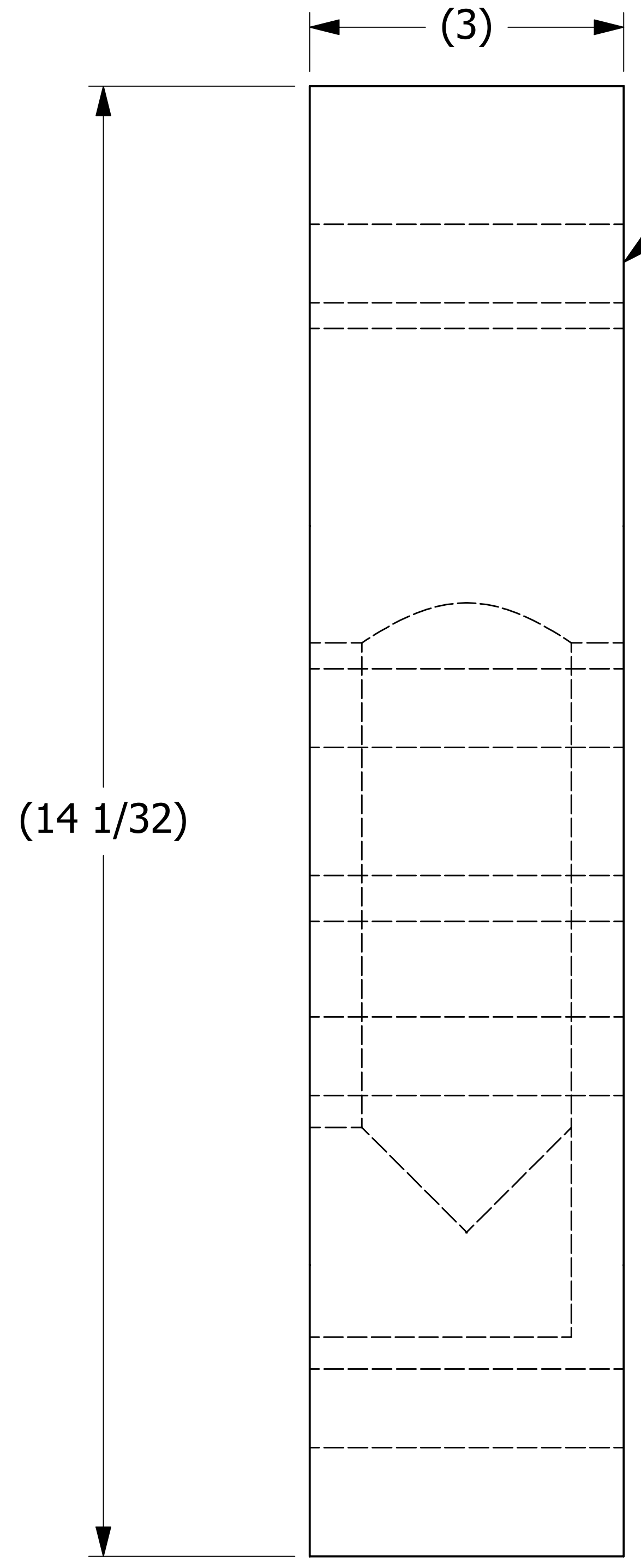
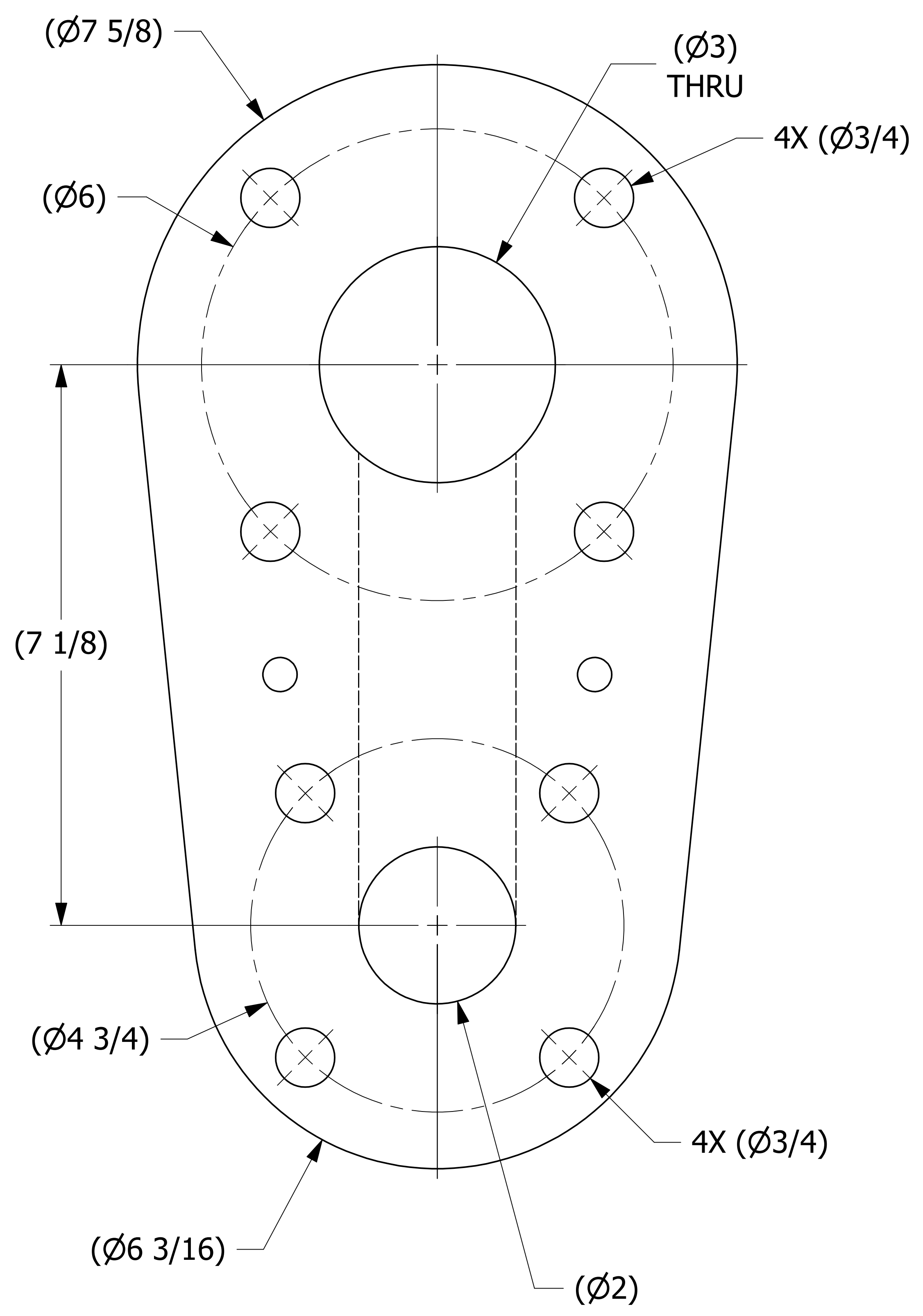


SALES DRAWING SALES DRAWING

SALES DRAWING SALES DRAWING



SERRATED
GASKET
SURFACE
(3 PLACES)

REV	BY	DATE	DESCRIPTION
E	WEB	5-12-15	ADDED DSS 3 AND DSS 5 NOTES
D	KHK	1-30-13	UPDATED TO CURRENT DRAFT STANDARDS, BOM, NOTE
C	REH	12-10-10	INCREASED FIXTURE HOLE DIAMETER TO .438
B	BRG	6-1-09	MATERIAL WAS SHT3UHBKR
A	BRG	6-1-09	NEW PART ADDED TO THE NETWORK

<small>UNLESS OTHERWISE SPECIFIED DIMENSIONAL TOLERANCES</small> FRACTIONAL: $\pm 1/16$ X.XX: $\pm .03$ X.XXX: $\pm .015$ ANGULAR: $\pm 1^\circ$ <small>DEBURR ALL SHARP EDGES. ALL MACHINED SURFACES TO HAVE A 125 RMS FINISH UNLESS NOTED OTHERWISE.</small> <small>THIRD ANGLE PROJECTION</small>	DRAWN BY:	BRG
	CHECKED BY:	PJG
	PROTOTYPE BY:	BRG
	PROTOTYPE DATE:	6/6/2008
	APPROVED FOR PRODUCTION BY:	PJG
	PRODUCTION DATE:	6/1/2009

SALCO PRODUCTS, INC.

PARALLEL INSTRUMENT TEE 3"X2 "

MATERIAL: **SEE BOM**

PROJECT #: **080606** SHEET #: **1 OF 1** SCALE: **1:1**

DRAWING #: **D25407** PART #: **HSPIT3X2TH3**

THIS PRINT, PROPERTY OF SALCO PRODUCTS INC. CONTAINS PROPRIETARY INFORMATION AND MUST NOT BE COPIED, REPRODUCED, OR USED DETRIMENTALLY TO OUR INTEREST.