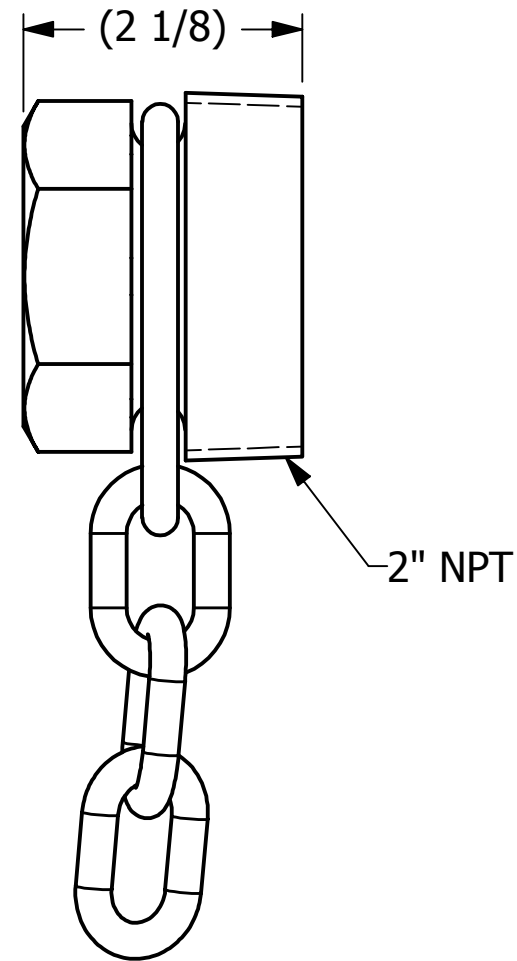
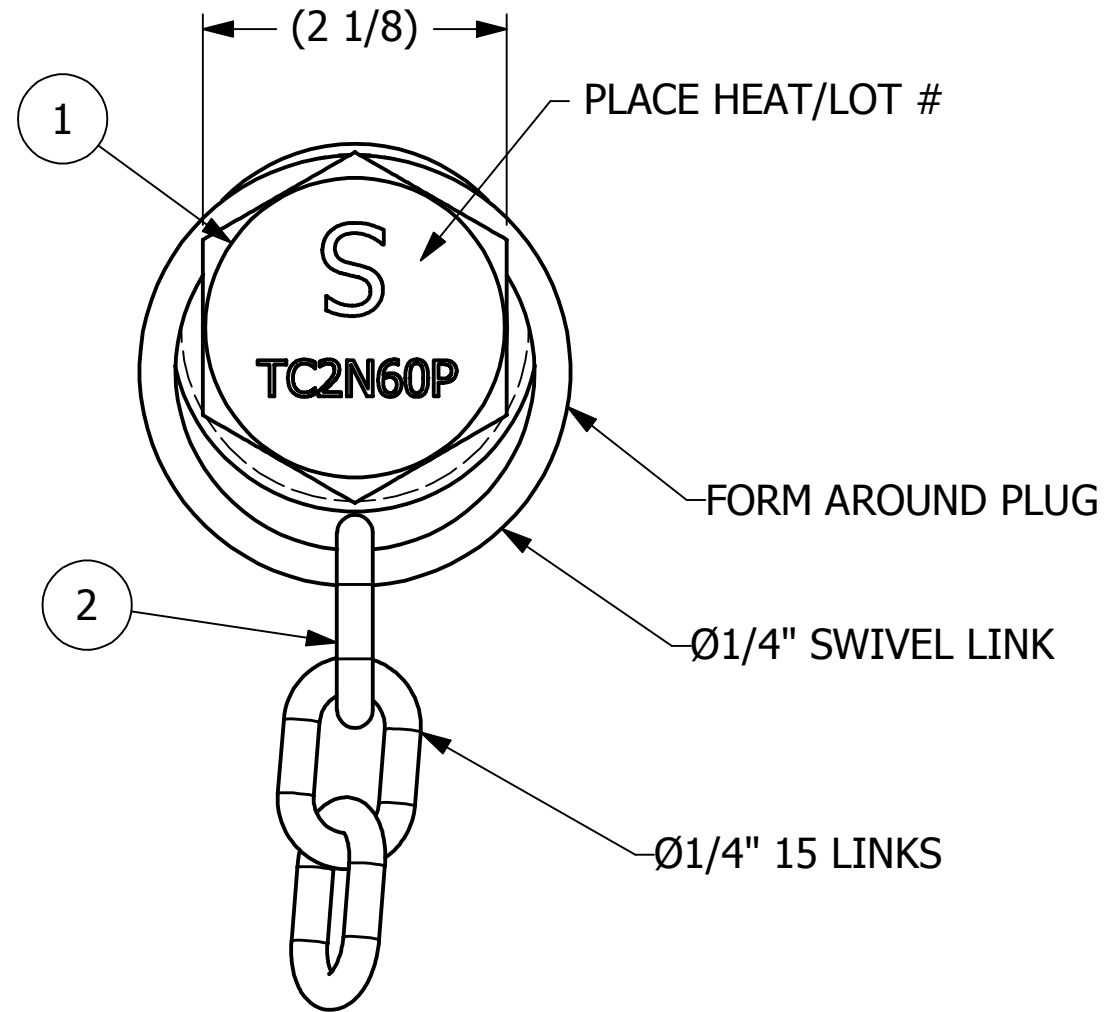


| NO. | PART NAME | PART# | REQ'D | MATERIAL |
|-----|----------------|---------|-------|--------------|
| 1 | PLUG 2" | TC2N60P | 1 | NITRONIC 60 |
| 2 | CHAIN ASSEMBLY | CH2PA | 1 | CARBON BLACK |



| REV | BY | DATE | DESCRIPTION |
|-----|-----|---------|----------------------------|
| E | REH | 5-24-10 | ADDED HEAT/LOT NUMBER NOTE |
| D | MAW | 8-14-09 | UPDATED TO INVENTOR |
| C | FOD | 6-22-00 | CHAIN ASSEMBLY WAS CH25PA |
| B | ACC | 2-2-98 | CHAIN ASSEMBLY WAS CH3PA |
| A | ACC | 1-7-98 | CHAIN ASSEMBLY WAS CH2PA |

| | | | |
|---|-------|-----------------------------|------------|
| UNLESS OTHERWISE SPECIFIED DIMENSIONAL TOLERANCES | | DRAWN BY: | MRC |
| FRACTIONAL: | ±1/16 | CHECKED BY: | ACC |
| X.XX: | ±.03 | PROTOTYPE BY: | MRC |
| X.XXX: | ±.015 | PROTOTYPE DATE: | 6/6/1997 |
| ANGULAR: | ±1° | APPROVED FOR PRODUCTION BY: | ACC |
| THIS PRINT, PROPERTY OF SALCO PRODUCTS INC., CONTAINS PROPRIETARY INFORMATION AND MUST NOT BE COPIED, REPRODUCED, OR USED DETRIMENTALLY TO OUR INTEREST. | | PRODUCTION DATE: | 11/24/1997 |
| THIRD ANGLE PROJECTION | | | |

SALCO PRODUCTS, INC.

PART NAME:
**TANK CAR 2" NITRONIC 60 PIPE PLUG ASSEMBLY
W/ CARBON STEEL CHAIN**

MATERIAL: **SEE BOM**

PROJECT #: **970602** SHEET #: **1 OF 1** SCALE: **3:4**

DRAWING #: **B8784** PART #: **TC2N60P1A**