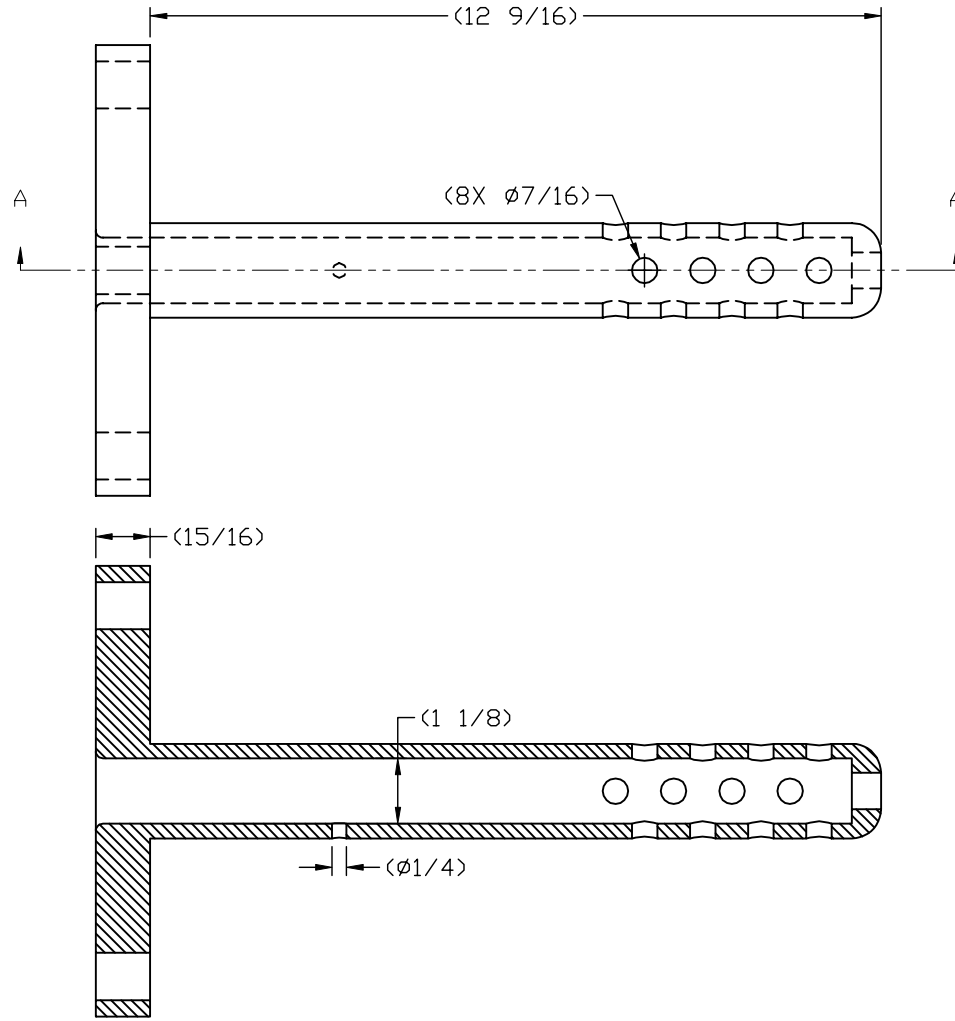
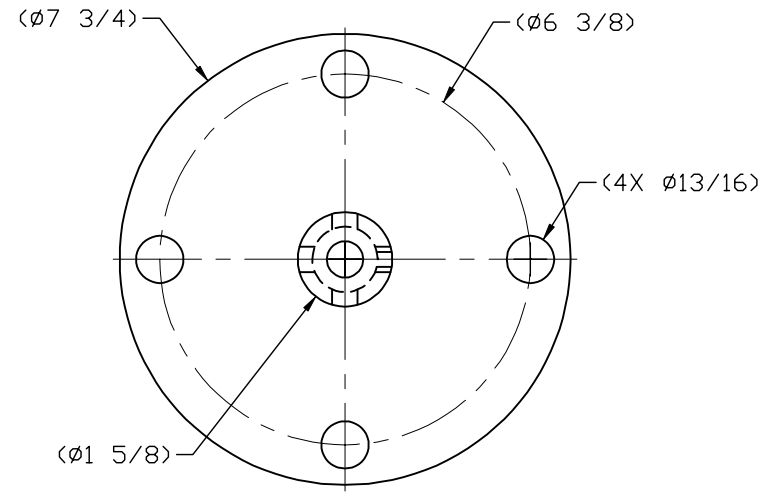




SALES DRAWING



SECTION A-A



SALES DRAWING

<small>UNLESS OTHERWISE SPECIFIED DIMENSIONAL TOLERANCES</small> FRACTIONAL ±1/16 X.XX ±0.03 X.XXX ±0.015 ANGULAR ±1° <small>THIS DRAWING IS THE PROPERTY OF SALCO PRODUCTS INC. CONTAINING PROPRIETARY INFORMATION, AND MUST NOT BE COPIED, REPRODUCED, OR USED IN WHOLE OR IN PART WITHOUT THE WRITTEN AUTHORIZATION OF SALCO PRODUCTS INC.</small>	A	CHL	5-24-07	NEW PART ADDED TO SYSTEM	
	REV. BY	I	DATE	DESCRIPTION	
	 Hazansolve Corp A DIVISION OF SALCO PRODUCTS				
	DRAWN BY:	CHL	CHKD BY:	PJG	SCALE: 1:1
MATERIAL: SALCO POLYETHYLENE					
PART NAME: SURGE PROTECTOR					
PROJECT #		030708		PROTOTYPE AND DATE: CHL 5-24-07	APPROVED FOR PRODUCTION: PJG
DRAWING #		D23603		PART # HSSPRD638	