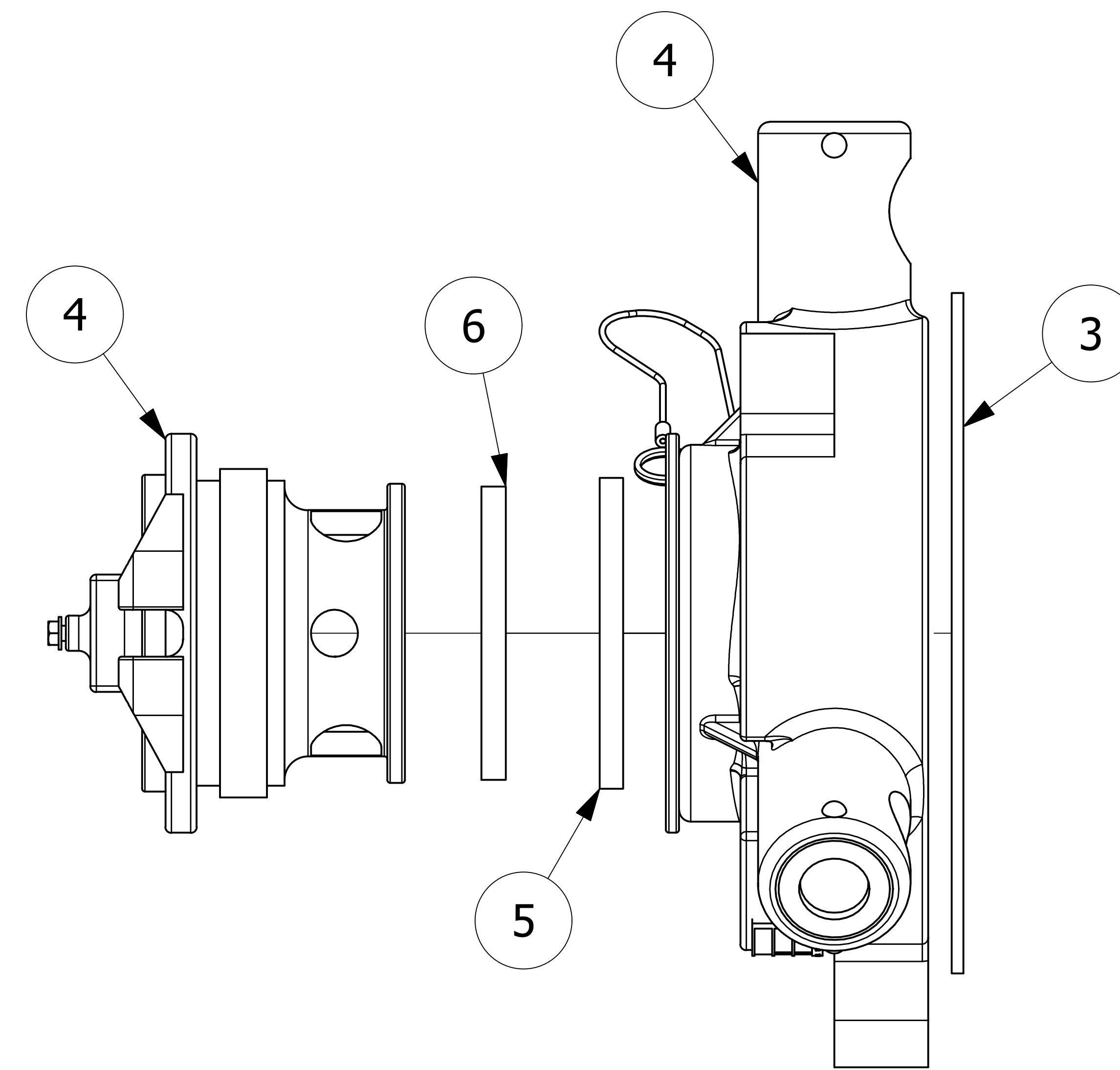


NO	PART NAME	PART#	REQ'D	MATERIAL
1	ID PLATE 3" X 3/4"	A15152	.5	ALUMINUM
2	DRIVE SCREW TYPE U #2 X 1/8"	DR218	2	18-8 SS
3	QUICK INSPECT FLANGE GASKET	FG5507	1	BLACK VITON B
4	QUICK INSPECT SAFETY VENT	QI261BSA	1	BLACK NORYL
5	QI RETAINER GASKET	QI261DG7	1	BLACK VITON B
6	RUPTURE DISC (SOLD SEPARATELY)			



NOTES:

1. CUSTOMERS RESPONSIBILITY FOR COMPATIBILITY OF COMMODITY.
2. AAR APPROVAL # PRD-162102.
3. SEE DOCUMENT Q-2.14 FOR MARKING PROCEDURE.
4. FASTEN ID PLATE WITH DRIVE SCREWS.

E	CHL	2/14/22	
D			Q-2.14 WAS QAP5A-1
C	JG	2/8/17	AAR APPROVAL # WAS SRD-063000
B	TAK	9/3/13	ADDED A15152, DR218 & QAP5A-1 NOTE
A	CHL	1/17/11	ADDED DRAWING TO NETWORK
REV	BY	DATE	DESCRIPTION

UNLESS OTHERWISE SPECIFIED DIMENSIONAL TOLERANCES FRACTIONAL: ±1/16 X.XX: ±.03 X.XXX: ±.015 ANGULAR: ±1° DEBURR ALL SHARP EDGES. ALL MACHINED SURFACES TO HAVE A 125 RMS FINISH UNLESS NOTED OTHERWISE. THIRD ANGLE PROJECTION	DRAWN BY: CHL CHECKED BY: VD PROTOTYPE DATE: 7/14/2009 APPROVED FOR PRODUCTION BY: VD PRODUCTION DATE: 1/17/2011 SIZE: E DRAWING #: 27180
--	---

SALCO PRODUCTS, INC.

QUICK INSPECT SAFETY VENT

SEE BOM

PROJECT #: **WAG0713** SHEET #: **1 OF 1** SCALE: **1 : 1**

PART #: **QI261DG7A**