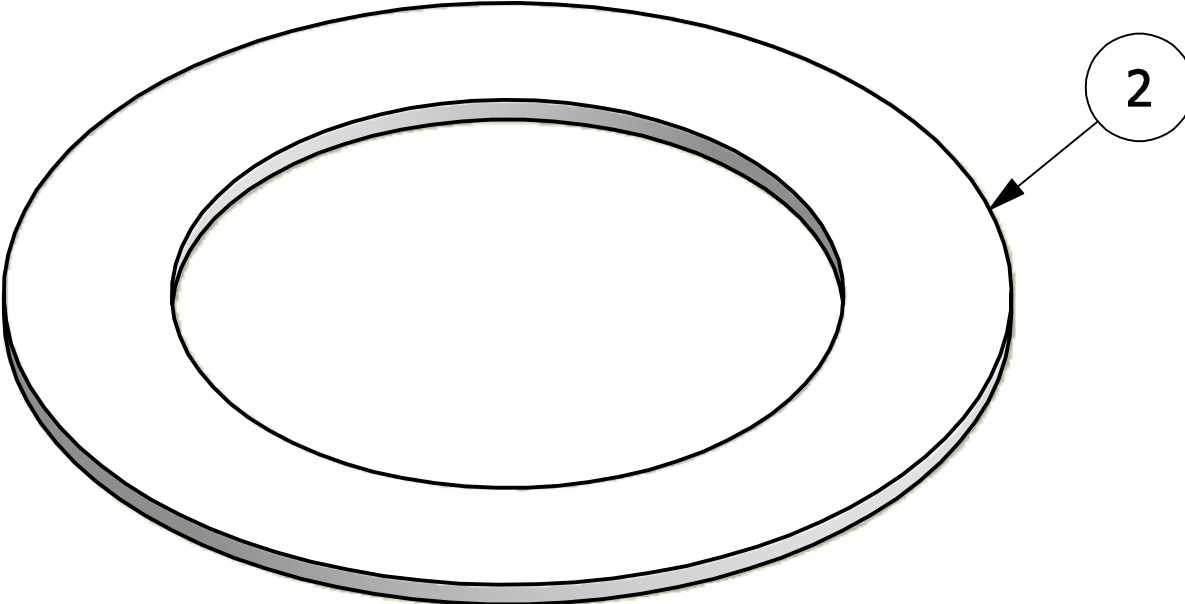
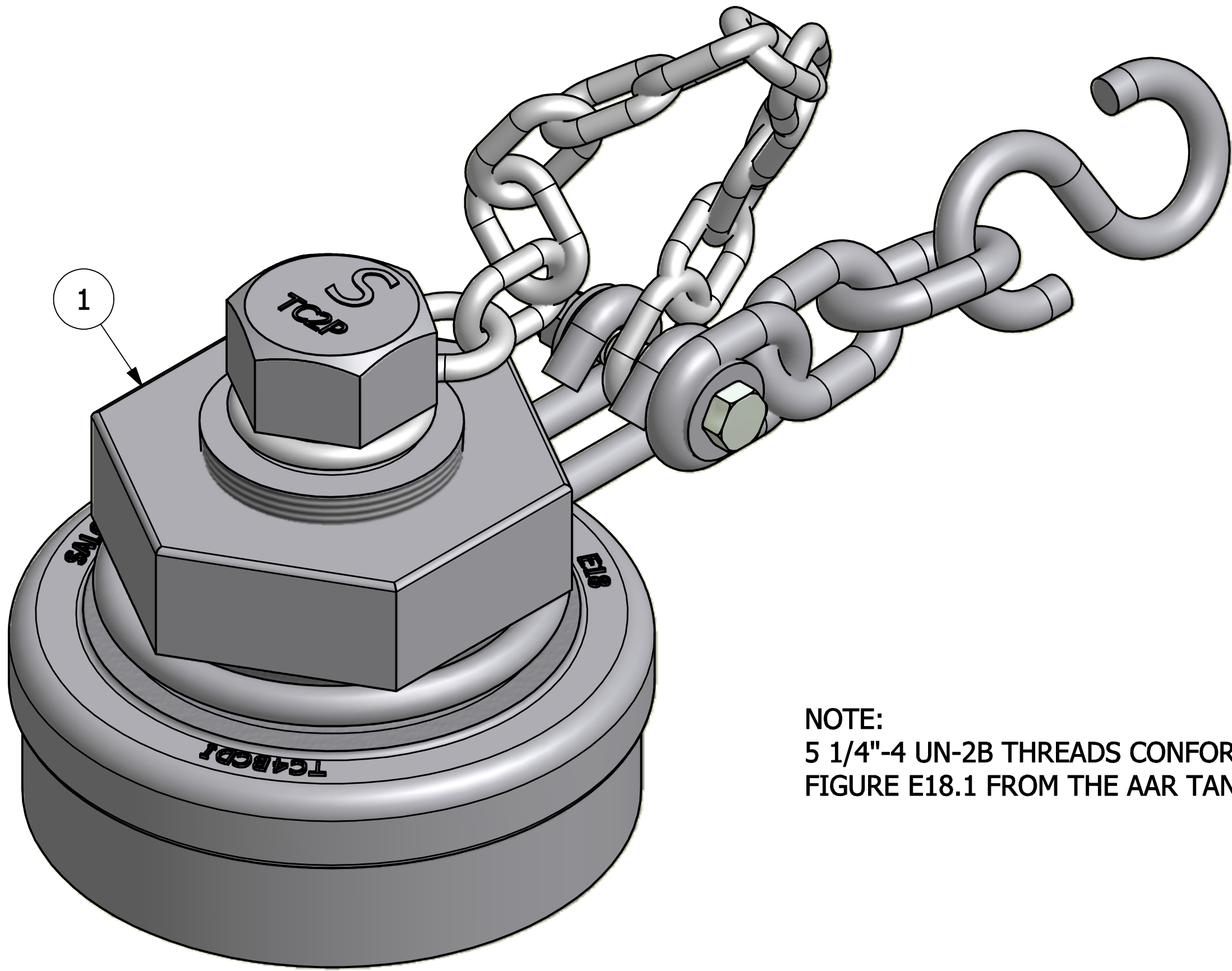


NO.	PART NAME	PART#	REQ'D	MATERIAL
1	BOTTOM OUTLET CAP 4"	TC4BCDIA	1	DUCTILE IRON
2	BOTTOM OUTLET CAP GASKET 4"	BCG3510	1	GYLON 3510



NOTE:  
 5 1/4"-4 UN-2B THREADS CONFORM TO ANSI B1.1 AND  
 FIGURE E18.1 FROM THE AAR TANK CAR MANUAL.

REV	BY	DATE	DESCRIPTION
A	CHL	6-19-09	NEW PART ADDED TO SYSTEM

UNLESS OTHERWISE SPECIFIED DIMENSIONAL TOLERANCES	DRAWN BY:	CHL
FRACTIONAL: ±1/16	CHECKED BY:	VD
X.XX: ±.03	PROTOTYPE BY:	CHL
X.XXX: ±.015	PROTOTYPE DATE:	6/3/2009
ANGLE: ±1°	APPROVED FOR PRODUCTION BY:	
THIS PRINT, PROPERTY OF SALCO PRODUCTS INC, CONTAINS PROPRIETARY INFORMATION AND MUST NOT BE COPIED, REPRODUCED, OR USED DETRIMENTALLY TO OUR INTEREST.	PRODUCTION DATE:	
THIRD ANGLE PROJECTION		

**SALCO PRODUCTS, INC.**

PART NAME:  
**BOTTOM OUTLET CAP 4"**

MATERIAL: **SEE BOM**

PROJECT #: **WAG0689** SHEET #: **1 OF 1** SCALE: **1:1**

DRAWING #: **C24982** PART #: **TC4BCDI10A**