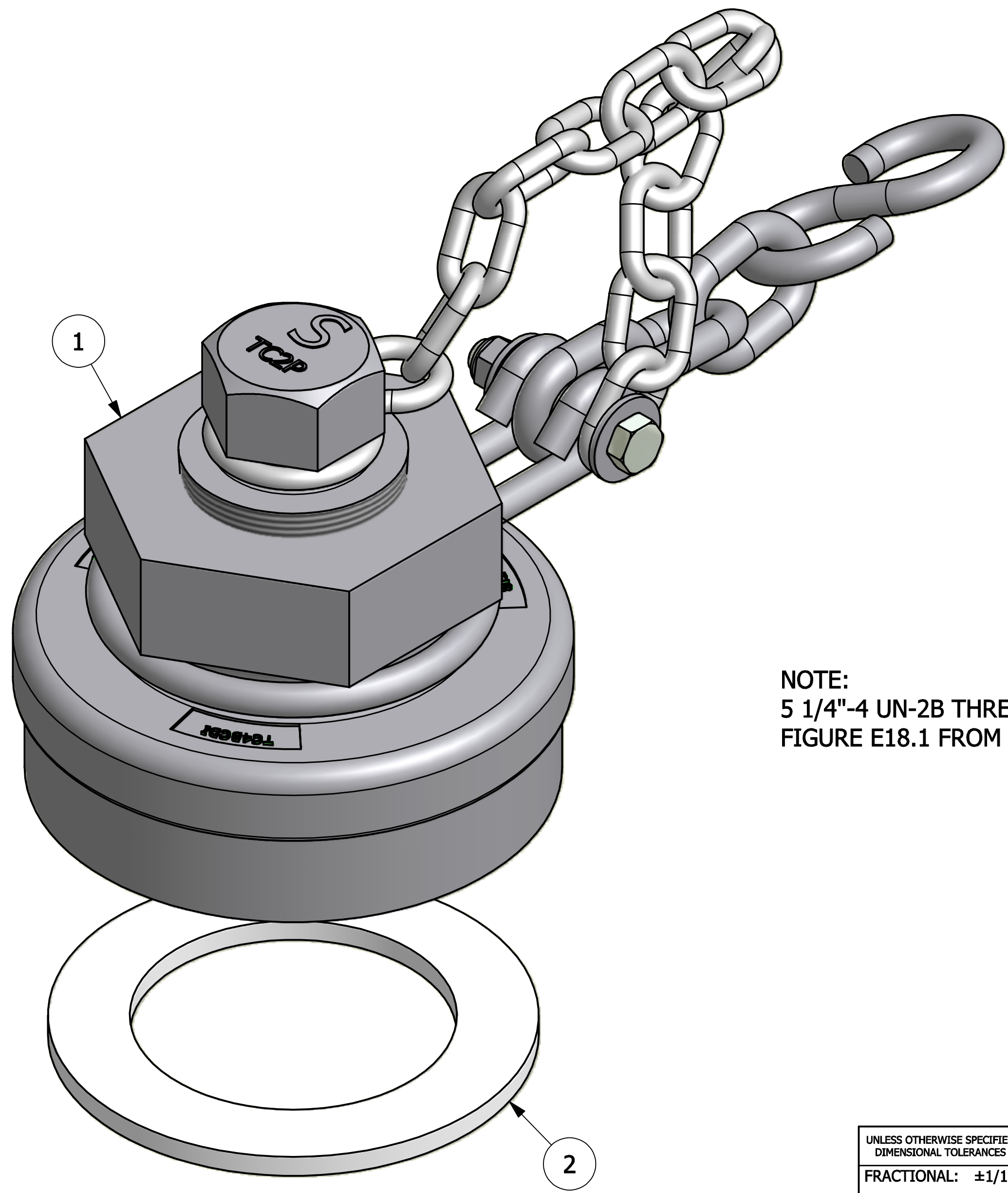


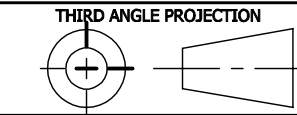
NO.	PART NAME	PART#	REQ'D	MATERIAL
1	BOTTOM OUTLET CAP 4"	TC4BCDIA	1	DUCTILE IRON
2	BOTTOM OUTLET CAP GASKET 4"	BCG352	1	WHITE NITRILE



NOTE:  
 5 1/4"-4 UN-2B THREADS CONFORM TO ANSI B1.1 AND  
 FIGURE E18.1 FROM THE AAR TANK CAR MANUAL.

REV	BY	DATE	DESCRIPTION
A	CHL	4-1-08	NEW PART ADDED TO SYSTEM

<small>UNLESS OTHERWISE SPECIFIED          DIMENSIONAL TOLERANCES</small> FRACTIONAL: ±1/16 X.XX: ±.03 X.XXX: ±.015 ANGLE: ±1°	DRAWN BY:	CHL
	CHECKED BY:	PJG
	PROTOTYPE BY:	CHL
	PROTOTYPE DATE:	3/27/2008
<small>THIS PRINT, PROPERTY OF SALCO PRODUCTS          INC, CONTAINS PROPRIETARY INFORMATION          AND MUST NOT BE COPIED, REPRODUCED, OR          USED DETRIMENTALLY TO OUR INTEREST.</small>	APPROVED FOR PRODUCTION BY:	PJG
	PRODUCTION DATE:	4/1/2008



**SALCO PRODUCTS, INC.**

PART NAME:  
**BOTTOM OUTLET CAP 4"**

MATERIAL: **SEE BOM**

PROJECT #: **WAG0543** SHEET #: **1 OF 1** SCALE: **1:1**

DRAWING #: **C24971** PART #: **TC4BCDI2A**